

EMB/EHMB Series Modulating Evaporators

High-Efficiency Cooling Units for RM Modulating Condensers



Cruisair modulating DX evaporators are ductable cooling only (EMB) or cooling with electric heating (EHMB) units with built-in refrigerant solenoid valves and high-efficiency blowers. Cruisair modulating air conditioning systems allow up to five independent temperature-controlled zones on one RM type modulating condensing unit (see spec sheet L-2366).

EMB and EHMB units are designed to be installed low in a closet or cabinet, with supply air ducted to grilles high in the cabin. Units are available in capacities from 4,000 to 16,000 BTU/hr. EMB models are cool only while EHMB feature electric heat with high-temperature insulation to meet ABYC requirements.

All metal surfaces over which air passes are covered with insulating foam to reduce secondary condensation and noise. The condensate pan has an anti-slosh, antifungal foam lining and rubber mounting feet for noise and vibration control as well as easy installation.

The high-efficiency blower can be rotated so the air can be discharged in different directions. The permanent split capacitor (PSC) motor is internal to the blower wheel and housing, which results in a quiet unit with excellent performance and speed control, especially when used with a Cruisair SMX series control.

An electrical junction box is included with the unit, and has a 3 ft. (1 m) wire harness so it can be mounted in an accessible location.

EMB and EHMB cooling units can be controlled locally with a mechanical switch assembly, SMX II microprocessor (SMX II power/logic box, control, and cables are sold separately), or the Q-Logic microprocessor system with Qht or Q3 display.

Remote monitoring via the central boat monitoring system or Cruisair's Gateway network is possible with the Q-Logic control system and optional CAN-bus adapter board.

Key Benefits

- High-efficiency cooling units for use with Cruisair RM modulating condensers.
- Integrated refrigerant solenoid valves.
- Variable-speed, high-efficiency PSC blowers are rotatable.
- Insulated condensate pan with anti-slosh, anti-fungal foam lining.
- Vibration isolation mounting system reduces noise and vibration.
- Available with electric heat (EHMB models).
- Remote control via ship's network is available - requires Q-Logic control with CAN bus adapter and Gateway Network Interface (sold separately).

Cruisair[®]

by Dometic GROUP

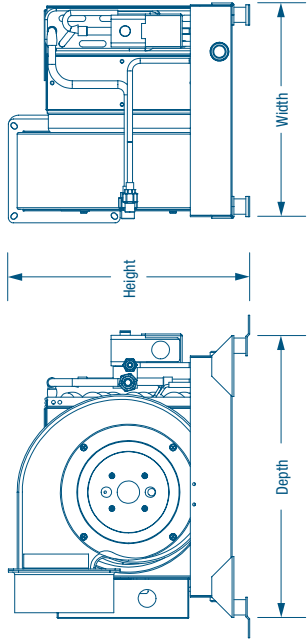
Specifications for EMB/EHMB Series Modulating Evaporators

Model ⁽¹⁾	EHMB4	EHMB6	EHMB8	EHMB10	EHMB12	EHMB16
Capacity (BTU/h)	4000	6000	8000	10000	12000	16000
Voltage @ 50/60Hz ±Ph (V)	230	230	230	230	230	230
Full Load Amps (FLA) Blower (A)	0.6	0.6	0.6	0.7	0.7	0.9
Max. Circuit Breaker (A)	10	10	10	10	10	15
Min. Circuit Ampacity (A)	6	6	6	8	10	11
Electric Heat (KW)	1	1	1	1.5	2	2
Heater Amps (A)	4.35	4.35	4.35	6.57	8.7	8.7
Air Flow (cfm/m ³ h)	200/339.9	200/339.9	200/339.9	300/509.8	400/679.7	530/900.5
Height (in/mm) ⁽²⁾	10/254	12.25/312	12.25/312	13.25/337	13.25/337	17.13/436
Width (in/mm) ⁽²⁾	10.8/275	11.5/293	11.5/293	13/331	13/331	14.5/369
Depth (in/mm) ⁽²⁾	13.8/351	15.75/401	15.75/401	17/432	17/432	19/483
Min. Supply Duct Size (in/mm)	4/102	5/127	5/127	6/153	6/153	7/178
Min. Supply Air Gills Size (sq in/sq cm)	32/207	35/226	47/304	60/388	70/452	80/517
Min. Return Air Gills Size (sq in/sq cm)	64/413	70/452	89/575	100/646	130/839	160/1033
Refrigerant Line Connection-Discharge (in)	¼	¼	¼	¼	¼	¼
Refrigerant Line Connection-Suction (in)	¾	¾	¾	¾	¾	¾

¹ Specifications shown are for units with electric heat (EHMB models). For technical information about units without heat (EMB models) please contact Dometic Marine sales at 954-973-2477.

² All dimensions ± 0.30 in. (8 mm).

Dimensions



Dealer

DOMETIC MARINE DIVISION
 2000 N. Andrews Ave. | Pompano Beach, FL 33069 USA | Tel. 954-973-2477 | Fax: 954-979-4414
www.Dometic.com/Marine | MarineSales@DometicUSA.com

24/7 TECH SUPPORT FOR UNITED STATES & CANADA:
 8:00 AM to 5:00 PM Eastern Time: 800-542-2477
 After hours and weekends: 888-440-4494

INTERNATIONAL SALES & SERVICES
 Europe & the Middle East: Call +44(0)870-330-6101
 For all other areas visit our website to find your nearest distributor.

L-0954 Rev. 20130111

Specifications and availability subject to change without notice.

