

chiller compact

Installation & Operation



Chilled Water Systems
Revised: 20140404
L-2177 ❖ English



TABLE OF CONTENTS

1 - Introduction

1.01 - How It Works.....	4
1.02 - Safety Considerations	4
1.03 - Definition Of Terms Used In This Manual	5

2 - Installation

2.01 - Electrical Grounding And Bonding	7
2.02 - Condensing Unit Installation	7
2.03 - Air Handlers	7
2.04 - Mounting Digital Air Handler Controls	8
2.05 - Ducting.....	8
2.06 - Supply And Return Air Grilles	9
2.07 - Sizing of Ducting and Grilles.....	9
2.08 - AT Air Handlers	9
2.09 - Blow Thru Air Handlers	9
2.10 - Slim Line Air Handlers.....	9
2.11 - Condensate Drains.....	10
2.12 - Seawater Pump.....	10
2.13 - Seawater Plumbing	10
2.14 - Chilled Water Circulation Circuit.....	11
2.15 - Manifold, Pipe And Hose Sizes	11
2.16 - Circulation Circuit Pressure.....	12
2.17 - Chilled Water Pump Package.....	12
2.18 - Suggested Piping To Air Handlers.....	12
2.19 - Insulation.....	12
2.20 - Piping Installation.....	13
2.21 - Miscellaneous Optional Components	13
2.22 - Checking The Circulation Circuit For Leaks	14
2.23 - Flushing The Circulation Circuit	14
2.24 - Filling And Purging The Circulation Circuit	14

3 - Operation

3.01 - DDC - Digital Diagnostic Control	16
3.02 - DDC Specifications	16
3.03 - DDC Programmable Parameters.....	16
3.04 - Fault Display Codes	17
3.05 - Using The Bimini Jumpers For Trouble-Shooting	17
3.06 - Sequencing The Compressors.....	17
3.07 - Start-Up Of The System.....	17

4 - Maintenance

4.01 - Routine Maintenance	18
4.02 - Extended Maintenance	18
4.03 - Winterization And The Use Of Anti-Freeze	20
4.04 - De-Winterizing	20
4.05 - Condenser Coil Cleaning Procedure.....	20
4.06 - Maintenance Record	20

5 - Trouble-Shooting Guidelines

21

6 - Manufacturers Limited Warranty Agreement

23

7 - Description Of Figures

25

Distributor Listing

37

1 - INTRODUCTION

The **chiller compact**[®] series of staged chillers are designed for boats 40-75 feet (12-23 meters) in length. Individual units are available in capacities of 16,000, 20,000 & 24,000 BTU/Hr and voltages of 115/60/1, 208-230/60/1, 208-230/60/3, 200/50/1, 220-240/50/1, and 220-240/50/3. These systems can provide ideal solutions for problems of space requirements, amperage consumption and weight for both new boat and retrofit applications and are designed for marine applications incorporating the following features:

- Spiral fluted cupronickel condenser and evaporator coils for maximum heat transfer
- Compressors offering reduced amperage draw, up to 25% less than conventional units
- Pre-charged and pre-wired systems for easy field connections
- Charge Guard[®] protection to insure refrigerant integrity during handling and installation
- Light weight aluminum construction for corrosion protection
- Digital control circuit provides multiple fail-safes for system protection.

This manual is intended to provide the information necessary to ensure proper operation and maintenance of the **chiller compact** modules and associated air handlers. Incorrect operating procedures can result in unsatisfactory performance and/or premature failure of these units, so **before proceeding please read this manual completely.**

The **chiller compact** modules are covered under the existing Marine Air Systems warranty policy contained in this manual. In the interest of product improvement, Marine Air Systems' specifications and design are subject to change without prior notice.

MARINE AIR SYSTEMS

Marine Air Systems (MAS) is a product of Dometic Environmental Corporation (Dometic). Dometic is a recognized leader in the design and manufacture of high-performance comfort control systems, refrigeration products and battery charging products for demanding environments, including commercial and recreational marine craft, vehicles and other applications. We offer an unparalleled scope of products, dealer networks, applications support, engineering resources and production capabilities throughout the world. Our team has many years of experience in the design, manufacture, application and support of our products. Our practical experience and design capability allows our application engineers and sales representatives to offer optimum solutions for your environmental control requirements.

1.01 - How It Works

Your chilled water air conditioning system consists of the chiller condensing unit, air handlers installed throughout the vessel, fresh water piping connecting the chiller to the air handlers, the chilled water pump package, and the seawater system. The chiller condensing unit consists of three major components: the compressor, the condenser coil, and evaporator coil. The chiller is charged with a refrigerant that circulates throughout these components. The air handlers consist of two major components: the blower and the evaporator coil. The pump package circulates fresh water through the piping from the chiller to each air handler and back in a continuous loop (the circulation circuit).

In cooling mode, warm cabin air is drawn (or blown) across the air handler coil by the blower. Removing heat from the cabin air cools it. The cooled air is blown back into the cabin. The heat that was removed from the cabin air is transferred to the fresh water circulating through the coil. The warmed water is pumped back to the chiller. The water is then circulated through the chiller evaporator coil where the heat is transferred to the refrigerant, thus cooling the water. The "hot" refrigerant gas is then circulated through the outer tube in the chiller condenser coil. Seawater is circulating through the inner tube of the condenser coil via the seawater system. The heat is transferred from the refrigerant to the seawater and pumped overboard taking the original cabin air heat with it. The chilled water (not seawater) is then pumped back through the piping to the air handlers in a continuous loop as the cycle repeats.

For reverse cycle heating, the chiller refrigerant flows in the opposite direction through a reversing valve, thus adding heat to the fresh water circulation circuit, instead of removing it as in the cooling mode. Some systems also use "chill chasers" which are electric heating coils built into the air handlers that warm the air directly.

1.02 - Safety Considerations

Installation and servicing of this system can be hazardous due to system pressure and electrical components. Only trained and certified service personnel should install, repair, or service equipment. When working on this equipment, always observe precautions described in the literature, tags, and labels attached to the unit. Follow all safety codes. Wear safety glasses and work gloves and place a fire extinguisher close to the work area.

Never install air handlers in the bilge or engine room areas. Insure that the selected location is sealed from direct access to bilge and/or engine room vapors. Do not terminate condensate drain line within three (3) feet of any outlet of engine or generator exhaust systems, nor in a compartment housing an engine or generator, nor in a bilge, unless the drain is connected properly to a sealed condensate

or shower sump pump. (Fumes and vapors can travel up the condensate line.) Failure to comply may allow bilge or engine room vapors to mix with the air conditioners return air and contaminate living areas.

Danger! Electrical shock hazard. Disconnect voltage at main panel or power source before opening any electrical box cover. Failure to comply may result in injury or death.

Warning! To minimize the hazard of electrical shock and personal injury, this component must be effectively grounded. Refer to installation guidelines for further information.

Notice: This component is charged with either a HYDROCHLOROFLUOROCARBON (HCFC) refrigerant R22 or with R407c which is a “Green Gas” HYDROFLUOROCARBON (HFC) refrigerant. Effective July 1, 1992 it shall be unlawful for any person to knowingly vent or otherwise knowingly release any class I (CFC) or class II (HCFC) substance as a refrigerant in a manner that permits such substance to enter the atmosphere per the clean air act of 1990. Public law 101-549 title IV section 608-C. Failure to comply may result in severe penalties, including fines and imprisonment.

1.03 - Definition Of Terms Used In This Manual

AIR HANDLER: The evaporator/blower fan coil unit that circulates air into a specific area for heating or cooling.

- **AT Air Handler** - The new AT air handler models replace Draw Thru and Flex Duct air handlers. These are draw-through, ductable units with rotatable blowers allowing for flexibility to fit space requirements for installation.
- **Blow Thru** - An air handler with the fan positioned to push or blow cabin air across the air handler coil directly into the cabin. No ductwork is used on this type of air handler.
- **Slim Line** - A modular blow thru air handler available in horizontal or vertical configurations. Ductwork may be used on this type of air handler, however it must be a short plenum that is no smaller in area than the air handler's supply air opening. The supply air grille must be no smaller in area than the air handler's supply air opening.

Aquastat: A sensor that communicates the return water temperature to the circuit board control. The control compares this water temperature to the desired water temperature (“water setpoint”) to determine whether or not the chiller should operate.

Bimini Jumper: A very small, removable connector on the circuit board. It connects two posts on the circuit board, allowing electrical current to flow between the two. Removing the Bimini jumper disconnects the posts.

Bleeder Valves: Capped valves connected to 1/4” flexible tubing located on the air handlers for purging air from the chilled water circulation system.

Bonding: Any metal that is isolated within the seawater circuit, or any metal that might come into contact with seawater, should be connected to the vessel's bonding circuit to help alleviate the effects of electrolysis (follow ABYC or applicable standards).

BTU: (British Thermal Unit) The amount of energy required to change the temperature of one pound (1 lb/0.5 kg) of water by one degree Fahrenheit (1°F/0.6°C). In air conditioning, the rate of heat removal is described in BTUs per hour (BTU/Hr). See the definition of “Ton” for an example.

CFM: Abbreviation for “cubic feet per minute,” a term used to specify the amount of airflow through the air handlers and ducting. (1 CFM = 1.7 CMH)

Chill Chaser: An optional auxiliary electric heater located in the air handler.

Circulation Circuit: Supply and return piping from the chiller to the air handlers. The supply piping carries chilled water (in cool mode) from the chiller to the air handlers. Return piping carries warmed water (in cool mode) from the air handlers back to the chiller. The supply and return piping form a continuous closed loop.

Circulation Pump: The pump used to circulate fresh water between the chiller and the air handlers. Since this pump is located in a “closed loop” system, it does not need to be installed below the water line of the vessel. Whereas the seawater pump does need to be installed below the water line.

Circuit Breaker: An electrical device that provides high current and short circuit protection for the compressors and pumps. HACR (heating, air conditioning and refrigeration) type circuit breakers are recommended for the ship's panel. HACR circuit breakers have a long delay to compensate for the electrical surge associated with compressors.

Compressor: An electrical motor/pump that compresses cool, low-pressure refrigerant gas into hot, high-pressure gas.

Compressor Overload: An electrical device used to protect the compressor from excessive heat or electrical current draw.

Condensate Drain Pan: The pan directly under the air handler's evaporator coil that collects the condensed moisture that has been removed from the cabin air. There is also a condensate drain pan located under each chiller and the chilled water pump package.

Condenser Coil: The heat exchanger through which heat is transferred between the refrigerant in the chiller and the seawater flowing through it.

Electric Heat: Electric resistance heaters are used as a chill chaser in the air handlers to warm the air.

Expansion Tank: A container, installed on the pump package, used to cushion against any water hammer in the circulation system piping. It also provides for expansion of the water volume as the water expands in heat mode.

Fan Speed Control: An “on/off” switch that also regulates the amount of voltage supplied to the fan motor, thus controlling the speed at which the motor turns.

Freeze Stat: A low temperature thermostat used as a control device to sense circulation water temperatures and shut the entire condensing unit off when supply water temperatures in the circulation piping system reach 38°F (3.3°C). This prevents the possibility of rupturing the chilled water evaporator coil, as well as any other piping in the system, which may happen if the water freezes.

Fresh Water Fill System: Components installed on the pump package return line for filling the circulation circuit piping system.

GPM: Abbreviation for “gallons per minute”, a term used to specify amount of water flow. (1 GPM = 0.23 CMH)

High Limit Switch: A high temperature thermostat used as a safety device to shut down the condensing unit when the water temperature in the circulation piping circuit reaches 120°F/48.9°C. This prevents the possibility of damaging any PVC piping or any other components due to the water getting too hot.

High Pressure Switch: Electrical control device operated by high side system refrigerant pressure. If refrigerant pressure in the system exceeds 425psig (2930kPa), then the switch will automatically open the electrical circuit and shut down the compressor. This switch resets itself automatically.

Low Pressure Switch: Electrical control device operated by low side system refrigerant pressure. If refrigerant pressure in the system drops below 27psig (186kPa), then the switch will automatically open the electrical circuit and shut down the compressor. This switch resets itself automatically.

Motorized Water Valve: An optional, electrically operated, 3-way water regulating valve installed on an air handler and controlled by the thermostat. This valve provides water flow through the air handler when opened, and bypasses water flow from the circulation circuit supply side to the return side when closed.

Pump Relay Panel (PRP): Used with more than one chiller, the PRP is a circuit board module wired between the chillers and the chilled water and/or seawater pump (one PRP for each pump). When any one of the chillers is switched on, the PRPs are energized and switch each pump on (see Digital Diagnostic Controller (DDC) instruc-

tion #4). Each PRP should have its own circuit breaker sized for the pump, but not to exceed 20 amps.

Reversing Valve: An electromagnetically controlled valve that reverses the flow of refrigerant between the condenser and evaporator of the chiller condensing unit, thereby permitting heat to be extracted from the cabin in the cooling mode and added into the cabin in the heating mode.

Run Capacitor: An electrical storage device used to reduce amperage to some electric motors for more efficient operation.

Seawater Pump: A pump and motor combination that provides continuous water flow through the condenser coil(s). The seawater pump must be installed below the water line for proper operation.

Seawater Strainer: A housing containing a screen made of metal or nylon to filter out debris drawn into the seawater circuit that could foul up the seawater pump or piping. The strainer must be located between the thru-hull inlet and seawater pump.

Stat: see Thermostat

Thermostat: An adjustable control device that senses room temperature via an air thermistor or sensor and operates the motorized valve on an air handler for water flow.

Thru-Hull Fitting: There are two different thru-hull fittings used in the seawater circuit. The speed scoop strainer inlet fitting is mounted below the water and serves as the inlet for the seawater circuit. The discharge thru-hull fitting is mounted above the water line and serves as the outlet for the seawater circuit.

Ton: In air conditioning, the amount of heat absorbed in melting one ton (2000 lbs/907 kg) of ice in a 24-hour period is equal to 288,000 BTU's. Divide 288,000 BTU's by 24 hours to get 12,000 BTU's per hour. Therefore, ***one ton of air conditioning*** = 12,000 BTU/Hr. (See also “BTU”)

2 - INSTALLATION

2.01 - Electrical Grounding And Bonding

NOTE: Field wiring must comply with ABYC or applicable electrical codes. Power to the unit must be within the operating voltage range indicated in the data plate on the unit. Properly sized fuses or HACR circuit breakers must be installed for branch circuit protection. See data plate for “MAX FUSE” (maximum fuse size (mfs) or maximum circuit breaker size) and “MIN CIR” (minimum circuit ampacity (mca)).

Chiller compact condensing units have a terminal block on the DDC circuit board mounted inside the electrical box. Connect the electrical supply wires and the pump (or PRP) wires to this terminal block. All units must be effectively grounded to minimize the hazard of electric shock and personal injury. The following rules are to be observed:

1. AC (alternating current) grounding (green wire) must be provided with the AC power conductors and connected to the ground terminal (marked “GRND”) in the electrical box of each chiller unit, per ABYC standard E-8, or equivalent.
2. Connections between the vessel's AC system grounding conductor (green wire) and the vessel's DC (Direct Current) negative or bonding system should be made as part of the vessel's wiring, per ABYC standard E-9, or equivalent.
3. When servicing or replacing existing equipment that contains a chassis-mounted ground stud, the service person or installer must check the vessel's wiring for the existence of the connection required in item 2 above.

ABYC standards are available from:

American Boat and Yacht Council
3069 Solomon's Island Rd.
Edgewater, MD USA 21036
Telephone: (410) 956-1050

The chiller must be connected to the ship's bonding system to prevent corrosion due to stray electrical current or voltage. All pumps, metallic valves and fittings in the seawater circuit that are isolated from the unit by PVC or rubber hoses must be individually bonded to the vessel's bonding system also. This will help eliminate any possibility of corrosion due to stray current or voltage.

FAILURE TO PROPERLY GROUND AND BOND THE SYSTEM WILL VOID WARRANTY!

See Figures 2.01a, 2.01b and 2.01c, for wiring diagrams.

2.02 - Condensing Unit Installation

The chiller compact condensing units should be installed below deck, either in the engine room, machinery compartment, lazarette, or a similar area. They are unaffected by vibration, moisture or ambient temperatures up to 140°F (60°C). These units must be well secured on a sturdy, level surface with the mounting brackets provided. The chiller compact must be installed so that it is accessible for service. The condensing unit is hermetically sealed and requires no ventilation for proper operation. Normal engine room temperatures will not affect operation of the condensing unit.

2.03 - Air Handlers

Air handlers are designed in three types of configurations - AT series draw-through, Blow Thru, and Slim Line - to allow for flexibility in any application. All types must be fastened securely and level for proper operation and condensation removal. All air handlers must have an unrestricted return air stream.

VERY IMPORTANT:

Never install air handlers that are meant to condition living spaces in the bilge or engine room areas. Ensure that the selected location is sealed from direct access to bilge and/or engine room vapors. Do not terminate condensate drain line within three (3) feet of any outlet of engine or generator exhaust systems, nor in a compartment housing an engine or generator, nor in a bilge, unless the drain is connected properly to a sealed condensate or shower sump pump. (Fumes and vapors can travel up the condensate line.) Failure to comply may allow bilge or engine room vapors to mix with the air conditioners return air and contaminate living areas.

Consideration should be given to installing a trap in the condensate drain line(s) so that normal discharge of condensate can fill the trap and prevent the ingress of carbon monoxide (CO) or other potentially harmful vapors.

For installations on sailboats that heel over 15°, position Blow Thru and Slim Line air handlers so that the condensate pan drains to port and to starboard, using both drains teed together. See Section 2.11.

2.04 - Mounting Digital Air Handler Controls

Before mounting the digital display panel touch pad consider the location. The air sensor built into the display panel will provide excellent cabin air temperature sensing if it is installed properly. The display panel should be mounted on

an inside wall, slightly higher than mid-height of the cabin, in a location with freely circulating air, where it can best sense average temperature. **Do not mount the display in the supply air stream.** Do not mount the display in direct sunlight, near any heat producing appliances, or in a bulkhead where temperatures radiating from behind the panel may affect performance. Do not mount the display above or below a supply or return air grille. Do not mount the display behind a door, in a corner, under a stairwell, in a locker, or any place where there is no freely circulating air.

If the display must be mounted in a location that will not allow it to properly sense cabin temperature, then an optional remote air sensor must be used. Mount the remote air sensor in the return air stream behind the return air grille and plug its cable (6-pin connector) into the air handler control circuit board. Installing the remote air sensor will override the display panel sensor.

Mount the display within cable length of the air handler (custom cable lengths are available). Plug the display cable (8-pin connector) into the back of the display panel. Secure the display panel to the bulkhead (see the air handler control manual for specific instructions). An optional outside air temperature (O.A.T.) sensor and 6-pin cable may also be used. Mount this sensor outside, but not in direct sunlight. Secure all cables; however do not staple cables when mounting.

2.05 - Ducting

Good airflow is critical for the performance of the entire system. It is highly dependent on the quality of the ducting installation. The ducting should be run as straight, smooth and taut as possible minimizing the number of 90 degree bends (two 90 degree bends can reduce airflow by 25%). Figure 2.07 shows minimum duct diameters and their corresponding return and supply air grille areas in square inches. If a transition box is used, the total area of supply air ducts going out of the box should equal the area of the supply duct feeding the box. To calculate the square inch area of a round duct: divide the diameter by two to get the radius (r), multiply the radius by itself (r^2), and multiply that number by 3.1416 (π). The following is a summary of proper ducting connections:

1. Pull back the fiberglass insulation exposing the inner duct hose.
2. Slide the duct hose around the mount ring until it bottoms out.
3. Screw 3 or 4 stainless steel sheet metal screws through the duct hose into the mount ring. Make sure to catch the wire in the duct hose with the heads of the screws. Do not use band clamps, the mount rings are tapered and the hose will slide off.
4. Wrap duct tape around the ducting and ring joint to prevent any air leaks.

5. Pull the insulation over the duct to cover the mount ring; secure the insulation with duct tape.

All ducting should:

- Be appropriately sized for each application.
- Run as smoothly and taut as possible.
- Have as few bends or loops as possible.
- Be securely fastened to prevent sagging during boat operation.
- Have all excess ducting lengths trimmed off.
- Not be flattened or kinked.
- Insulated when located in high heat load areas (hull side, mechanical compartments, etc.).

The design of a proper supply ducting system in a boat begins with the outlet of the blower. The blower mount ring sizes used by Dometic are designed to keep the air velocity and frictional pressure drop relatively low. Reducing the blower ring size will create higher air velocities. Higher air velocities will increase pressure drop and airflow noise. Increased pressure drop will reduce the overall airflow and the heating or cooling capacity of the unit. A ducting system should have the same cross sectional area as the blower ring in order to keep the air at proper velocity. The following table shows the cross sectional duct area needed for all air handlers and the size of the duct ring mounted on the blower.

Several circumstances may be encountered where a larger duct size may be needed to achieve the desired airflow for a particular unit. These include excessively long duct runs (greater than twenty feet), large numbers of bends in the duct runs (greater than three 90° bends), or a transition box located at the outlet of the blower. A duct size one inch larger than that shown in Figure 2.07 should be used in each of these cases.

Ducting should not be used for the return air inlet of an air handler. However, if the return air must be ducted, the return air duct size should be at least twice the size of the supply air duct.

Minimum duct length for a draw-through type air handler is five feet (5'/1.52m). If the duct is any shorter, then the blower motor noise will be heard coming out of the supply grille. The maximum duct length of twenty feet (20'/6.04m) should not be exceeded. If the duct is any longer than the maximum recommendation, airflow at the supply grille will be reduced and air handler performance will be diminished.

When using ducting transition boxes, the total outlet area should be at least equal to the inlet area.

Built-in air plenums should be constructed to deliver proper airflow and minimize air noise. Plenums should be fully pressurized by the air delivery through the ductwork and

incorporate diffusers when necessary to create an even flow across the entire surface of the supply grille or outlet. The cross-sectional area of the plenum should be equal to, or slightly greater than, the area of the supply duct. Under-sized plenums create air turbulence and generally cause noisy airflow. All air plenums must be thoroughly sealed to prevent air leakage. Plenums constructed of wood, cloth or any other conductive material must be sealed and insulated properly to prevent condensation and possible water damage.

2.06 - Supply And Return Air Grilles

The return air grille should be placed as close as possible to the air handler to maintain direct uninterrupted airflow to the coil. It should also be mounted as low as possible. The return air grille should not be located in such a way that the supply air blows directly into it. This will cause “short cycling” which results in poor performance and inadequate air conditioning.

A return air filter must be used. The filter may be on the air handler unit or installed in the return air grille. Only one filter is necessary. The filter should be installed in the location that is easiest to access.

The supply air grille should be mounted as high as possible in the cabin to ensure proper airflow. This application permits airflow across the ceiling of the cabin, with the cool supply air falling, and forcing the warm air through the return air stream or up to the ceiling to mix with the cooler air being distributed. Failure to deliver the supply air high can result in cooler temperatures near the floor and warmer temperatures near the ceiling.

2.07 - Sizing of Ducting and Grilles

Refer to Figures 2.07 at the back of this manual.

2.08 - AT Air Handlers

AT air handlers are to be installed with ducting connected to the blower outlet. See Sections 2.05, 2.06 and 2.07.

The blowers should be rotated so the outlet is in line with the ducting. Transition boxes may be used to divide the duct system into multiple locations. Install these air handlers low in the cabin area, under seats or berths, or in the bottom of lockers, to maintain a return air stream close to floor level. Supply air grilles should be installed close to the ceiling in such a way that the air is blown across the room. The supply air must not blow directly toward the return air grille. Fasten the air handlers with the mounting brackets and screws provided. See Figure 2.08.

2.09 - Blow Thru Air Handlers

Blow Thru (BT) air handlers do not use ducting; the supply air is blown directly through the evaporator coil and into the cabin. Install these air handlers high in a cabin area, at the top of lockers, bulkhead corners or overhead compartments. Since no ducting is used, blow thru air handlers must be installed in such a way as to deliver air directly into the cabin area being conditioned. The unit should be installed so the evaporator coil is flush to the bulkhead or partition, behind the supply air grille. They should be fastened securely using the four mounting grommets located in the upper four corners of the mounting plate.

The supply air grille must be at least equal in surface area and dimensions to the evaporator coil surface. Return air must come from the same area that is being conditioned. The return air grille should be the same size as the supply air grille, no less than the surface area of the coil and be located underneath, alongside, or behind the BT air handler. See Sections 2.06 and 2.07.

If the air handler cannot be flush mounted against the bulkhead or partition, a plenum chamber can be attached between the face of the coil and the inside of the partition. This plenum must be equal or slightly larger than the coil surface, sealed completely, and be a short, straight run. Due to their design, the blow thru air handlers cannot be connected to excessively long plenums, multi-directional plenums, or any ducting. See Figure 2.09.

2.10 - Slim Line Air Handlers

Slim Line (SL) air handlers are used in situations where space is limited. They are similar in application to the blow thru air handlers. However, slim line air handlers can also be mounted low in side panels and narrow bulkhead spaces. The slim line is constructed in either a horizontal or a vertical configuration. The horizontal configuration is used for overhead mounting and the vertical configuration is used for low mounting behind bulkheads and panels. The supply and return air grilles must be at least the same size as the outlet and inlet of the unit, respectively (See Section 2.07). Slim line units can be ducted with the use of plenums. Follow the same guidelines for the blow thru units or plenum construction (See Section 2.09). See Figure 2.10.

2.11 - Condensate Drains

All units come with condensate drains. When humidity levels are high, condensate water can be produced at a rate of up to one gallon (3.8 liters) per hour. With this in mind, it is important to route condensate drains properly. After the condensate installation is complete, test the installation by pouring a quart (liter) of water into the pan and verify proper drainage.

Follow these rules for installation of the condensate drain:

- Attach a 5/8" (15.9mm) inside diameter (I.D.) reinforced hose to the hose barb drain connection with a hose clamp and tighten.
- Install the condensate drain downhill from the unit and aft to a proper drainage area.
- **IMPORTANT NOTE:** Do not terminate condensate drain line within three feet (one meter) of any outlet of engine or generator exhaust systems, nor in a compartment housing an engine or generator, nor in a bilge, unless the drain is connected properly to a sealed condensate or shower sump pump. (Fumes and vapors can travel up the condensate line.) Failure to comply may allow bilge or engine room vapors to mix with the air conditioners return air and contaminate living areas and may result in injury or death.
- Consideration should be given to installing a trap in the condensate drain line(s) so that normal discharge of condensate can fill trap and prevent the ingress of carbon monoxide (CO) or any other potentially dangerous gases.
- The drain lines should be installed as short and direct as possible with a continuous downhill pitch, free of loops, kinks, or upward bends.
- For installations on sailboats that heel over 15°, position Blow Thru and Slim Line air handlers so that the condensate pan drains to port and to starboard, using both drains teed together (see next).
- If dual drain fittings are used they may be connected with a tee (T) fitting to a single condensation drain line if a minimum 2" (5.1cm) drop exists from the base pan drains to the tee fitting.

2.12 - Seawater Pump

The chiller condensing units are water-cooled and require a properly sized seawater pump for operation. The seawater pump is sized according to the BTU capacity of the chilled water unit. The seawater pump must be installed so that it is always at least one foot below the water line regardless of which tack the vessel is on.

- **IMPORTANT:** Each pump relay panel (PRP) must have a dedicated circuit breaker sized for the pump but not to exceed 20 amps maximum.
- **IMPORTANT:** Pumps greater than 3/4 horsepower (HP) must be connected through a pump relay panel and not the DDC control circuit board. This is true even for single stage units because the DDC control relay is not designed to handle the amp load of a larger pump.

2.13 - Seawater Plumbing

Seawater flow rate should not exceed 3gpm per ton of chiller capacity. Higher flow rates may damage the condenser coil.

Seawater temperature will directly affect the chiller's efficiency. This chiller can effectively cool your boat in water temperatures up to 90°F (32.2°C) and heat (if reverse cycle option is installed) in water as low as 40°F (4.4°C). Use electric heat (if installed) if seawater temperature is below 40°F (4.4°C).

Install the seawater speed scoop intake as far below the water line and as close to the keel as possible in any application, but especially on a sailboat, to keep the intake in the water when the boat heels over so that air does not get into the system. A speed scoop should be utilized to insure positive water flow while the vessel is underway. The speed scoop must be installed facing forward and not be shared with any other pump. A full flow bronze sea cock (ball valve) must be connected directly to the speed scoop intake. The sea cock must be installed an accessible location so it can be closed to stop water from flowing into the vessel in case of emergency. The thru-hull, strainer, and hoses should be sized properly for the capacity of the chiller. Seal the speed scoop and thru-hull with a marine type sealant.

Since the seawater pump is centrifugal and not self-priming, **it must be mounted so that it is always at least one foot below the water line regardless of which tack the vessel is on.** The pump outlet may be positioned horizontally or vertically, however the discharge must always be above the inlet. The pump head should be rotated toward the direction of water flow. It is recommended that all hose connections be secured by means of double/reversed stainless steel hose clamps (two clamps installed side-by-side and facing in opposite directions). A seawater strainer between the sea cock and pump is mandatory to protect the pump from debris, such as seaweed. Not using a seawater strainer will void the pump warranty and jeopardize the entire system. **The seawater system must be installed with an upward incline from the sea cock through the strainer to the inlet of the pump and then up to the chiller condenser coil/manifold inlet.**

Route the plumbing from the discharge outlet of the pump to the inlet connection on the condenser coil/manifold. **This hose should be plumbed as straight and smooth as possible, with no loops or vertical bends, so that it is self-draining and consequently self-purging.** The discharge outlet of the condenser must be plumbed overboard using a discharge thru-hull fitting located above the water line. The location selected for the overboard discharge thru-hull fitting should be accessible for periodic visual inspection and as close to the water line as possible in order

to reduce noise. It is recommended that marine grade reinforced hose be used as well as double/reversed stainless steel hose clamps throughout the seawater system. See Figure 2.13.

Follow these guidelines for installing the seawater system:

- The entire system from the speed scoop inlet to the chiller should be plumbed on an uphill incline to prevent air traps and provide a self-purging system.
- The pump must be located well below the water line and as close to the seawater strainer and thru-hull fitting as possible.
- The seawater strainer must be installed below the pump and in a place where there is easy access to the strainer basket.
- The inlet size of the thru-hull fitting and the seawater strainer must be equal to the inlet size of the seawater pump.
- The speed scoop thru-hull fitting must be dedicated for use by the chilled water system only, and be located as far below the water line and as close to the keel as possible in such a way that it is not obstructed by other thru-hull fittings or components attached to the underside of the hull.
- The thru-hull fitting must have a speed scoop (or equivalent) facing forward to maintain a constant stream of water to the seawater pump.
- Seal the speed scoop thru-hull fitting with a marine type sealant designed for underwater applications.
- Install a bronze full flow sea cock (ball valve) directly on the speed scoop thru-hull fitting. Do not separate the two fittings with hose or pipe.
- The pump must be securely fastened in a horizontal position with the discharge outlet higher than the suction inlet.
- Flexible reinforced hose must be used for connections to provide vibration isolation between components.
- Discharge the water through a hull-side thru-hull fitting, installed above the water line with access for visual inspection.
- All flexible hose should be installed as smooth and straight as possible without any kinks or loops, and be securely fastened. Avoid the use of short radius elbows and fittings whenever possible. Especially try not to use 90° elbows close to the pump inlet or outlet.
- All hose connections must use double/reversed stainless steel hose clamps.
- Use Threaded seal tape or a non-hardening thread compound on all threaded pipe connections. If using

a compound, ensure that it is suitable and safe for the type of pipe and fittings being used.

- Ground and bond all metal components of the seawater system.

2.14 - Chilled Water Circulation Circuit

The water circulation system is a “closed loop” piping circulation circuit connecting all air handlers to the chillers. Piping size is determined by the overall BTU capacity of the system. **Use SCH 80 PVC, CPVC or Copper Pipe for the circulation circuit.** The following chart provides information for sizing the piping. Do not install pipe that is too small, because that will increase water velocities and cause erosion of piping. Also, if the piping is too small, excessive water pressure reductions can occur which will reduce the water flow to the air handlers resulting in poor performance. See Figure 2.14.

2.15 - Manifold, Pipe And Hose Sizes

Refer to Figure 2.15 at the back of this manual.

If individual piping runs exceed fifty feet (55'/15.24m), the next larger pipe I.D. (inside diameter) size is recommended; using a slightly larger pipe will help reduce pressure drop through the system. The “System Capacity” listed in the chart above is measured at any given point in the chilled water circulation circuit. Size the piping according to the total capacity of air handlers supplied (down stream) from that point. Ends of main (primary) and branch (secondary) pipes should be extended and capped. Extending the end of each pipe line will help to balance the water pressure, act as a cushion against “water hammer”, provide a clean-out access, guard against pipe erosion and provide proper water flow to all air handlers. See Figure 2.14.

The chilled water circulation circuit must not be connected to the potable water system.

2.16 - Circulation Circuit Pressure

The pressure gauge on the return side of the circulation circuit should be between 12-15psig (83-103kPa) when the system is running in cool mode and up to 20psig (138kPa) in heat mode.

2.17 - Chilled Water Pump Package

The chilled water system requires a circulation pump package, sized to the total air handler load, for proper operation. The pump package consists of a pump, an expansion tank, a water pressure gauge, and a fill assembly. The fill assem-

bly consists of a water pressure regulating valve, shut-off ball valve, and a 3/4" hose bib connection for filling the circulation circuit with fresh water. The regulating valve is set at the factory for 12psig (83kPa) and should not need adjusting. If valve needs to be reset, loosen the nut on top and adjust the screw clockwise to increase the set pressure or counterclockwise to decrease it, then tighten the nut while holding screw in place with screw driver. The ball valve must be opened while filling and/or purging the circulation circuit, and closed while the system is in normal operation. A backflow-preventing valve should be installed between the fill assembly and the fresh water source to prevent circulation circuit water from contaminating the potable water supply.

While filling the system, the water pressure-regulating valve is set at the factory to reduce the incoming water pressure to between 12-15psig (83-103kPa), which is the static pressure for the chilled water system while it is not in operation. The expansion tank allows the water in the system to expand as it gets hot when the chiller is in heat mode. The expansion tank also acts as a cushion against "water hammer." The water pressure gauge should read between 12-15psig (83-103kPa) when running in cool mode and up to 20psig (138kPa) in heat mode. The water pressure gauge indicates the return water pressure.

Install ball valves close to the inlet and the outlet of the chilled water pump for aid in servicing and flushing the chilled water circulation circuit. A strainer should be placed between the inlet of the pump and the ball valve to filter any debris from the circulation circuit. See Figure 2.17.

2.18 - Suggested Piping To Air Handlers

Marine Air Systems strongly recommends the use of 3/4" (19mm) ball valves at each air handler to assist in start-up and overall serviceability of the system. The hose barbs supplied by Dometic are for 5/8" (15.9mm) I.D. marine grade hose. Flexible reinforced hose is recommended for vibration isolation between the water circuit valves and the air handlers. Connect the hose from the air handler to the ball valve and install pipe or hose (sizes: 5/8" for 4-16K units, 3/4" for 18-24K units, 1" for 36-48K units) from the ball valve to the circulation circuit piping. Each hose connection should use double/reversed stainless steel hose clamps (two clamps installed side-by-side and facing in opposite directions). Note that air handlers larger than 24K use 1" hose connections and ball valves. See Figure 2.18.

2.19 - Insulation

Proper insulation of the circulation circuit pipe, hose and fittings is necessary to insure maximum performance as well as protect against excessive condensation that may lead to damage to the vessel. Use a closed cell type insulation rated down to 40°F (4.4°C).

Follow these instructions for installing insulation:

1. Tube insulation that is 1/2" (12.7mm) thick may be used for flexible 5/8" (15.9mm) I.D. hose. For pipes less than 1" (25.4mm) in diameter, use 3/4" (19mm) thick tube insulation. For pipes equal to or greater than 1" (25.4mm) in diameter, use 1" (25.4mm) thick tube insulation. Slide the tube insulation on each section of pipe prior to making the pipe connections.
2. After making the connections, push the tube insulation flush against the connection fitting. Trim excess insulation to ensure a smooth, tight fit with no air pockets.
3. Pipe insulation should be glued and not tie wrapped. Tie wrapping will compress the insulation and cause poor performance. There must be no air pockets between the pipe and the insulation. All joints must be glued. All insulation must be airtight.
4. If the tube insulation is installed after the circulation circuit piping is connected, proceed as follows:
 - Use pre-slit insulation or cut existing tube insulation.
 - Apply insulation adhesive thoroughly along both cut edges.
 - Wrap around pipe and press the glued edges back together making sure a proper bond is made with no openings or gaps. Do not attempt to use wire ties to hold insulation around pipe in lieu of adhesive.
5. When insulating fittings, follow the manufacturer's recommendation for the application of tube insulation. If insulation tape is used, follow the manufacturer's specifications to achieve equivalent R-value to the insulation of adjacent pipes. Overlap insulation with tape to insure that no ambient air is in contact with pipes or fittings. All insulation must be airtight.

The insulation must not be compressed by the support system when installed. Do not use plastic tie-wraps, hose clamps or other similar fasteners that might compress the insulation.

Insulated circulation circuit piping may be supported by using a piece of PVC pipe that has an inside diameter equal to or slightly larger than the outside diameter of the insulation. Cut the support pipe to a length that is at least twice as long as the outside diameter of the insulation that is being supported. Cut a linear slit section out of the support pipe so it has a "C" cross section as shown in the diagram Figure 2.19. Slide the support pipe over the insulated water pipe and secure the support pipe to the bulkhead using a pipe clamp in such a way that it does not compress the insulation. This type of support should also be used for (non-watertight) bulkhead penetrations.

Remember that when the circulation circuit is filled with water it will be a lot heavier than when empty. The weight

of the water will tend to compress the insulation against whatever is underneath it. This is the main reason to use a long enough support pipe - to distribute the weight of the water-filled pipe.

2.20 - Piping Installation

The entire circulation circuit piping must be securely fastened in the vessel. The following recommendations should be followed:

1. Secure the insulated piping using properly sized clamps and collars to hold the pipe in place **without compressing the tube insulation**. Compressing the tube insulation will cause condensation resulting in saturation of the insulation and possible water damage to the interior of the vessel.
2. Any insulated pipe passing through a bulkhead should be supported with a piece of rigid material of sufficient length to distribute the weight evenly over a large area. This will prevent excessive compression of the insulation.

NOTE: Circulation circuit piping will be much heavier once it is filled with water. Mounting clamps, collars, and fittings must be installed to support the piping when it is full of water, without the insulation being compressed by the extra weight.

METAL TO PVC FITTINGS: If connections are made between PVC fittings and metal fittings, always use a male pipe thread on the PVC fitting and a female pipe thread on the metal fitting. Reversing the type of fittings can cause the PVC to crack if over-tightened.

90° ELBOWS: All PVC piping should be installed with as few 90° elbow fittings as possible. Excessive bends can cause pressure drop in the system, affecting performance. Avoid the use of short radius elbows and fittings whenever possible. Especially try not to use 90° elbows close to the pump inlet or outlet.

2.21 - Miscellaneous Optional Components

The following are suggested for better maintenance and operation of a chilled water system.

Sight Glass: Installed in the supply or return main pipes of the circulation circuit at an accessible location, the sight glass will provide visual inspection of the water flow or air bubbles.

Strainer: Installed in the return line before the circulation pump inlet, strainers are used to filter debris and particles (residue from installation of the piping) from the circulation circuit. The strainer basket should be made of a 20 mesh stainless steel.

Ball Valves: Installed between the chiller circulation pump/strainer and the air handler loop so that each can be isolated from the other for maintenance and equipment replacement without having to drain the circulation circuit.

Water Pressure Gauges: Two gauges installed in the circulation circuit, one in the supply side and one in the return side, to monitor continuously for pressure drops in the system (the supply side gauge is optional, the return side gauge is mandatory). Note that the Chilled Water Pump Package has the return water pressure gauge installed on it. If a CWPP is not used, then the gauge should be installed on the fill line.

Automatic Air Vents: Marine Air Systems recommends the use of Spirovent® and Spirotop® auto-air bleeders, especially on large systems.

The Spirovent is an inline automatic air-bleeder that will remove air from the entire CW loop. Install the Spirovent in the main return line from the air handlers. It should be located before the circulating water pump but after the CW strainer and service valve. The fill assembly can be connected to the ½" FPT fitting on the bottom of the Spirovent, if desired, or a plug should be installed. In applications where the system water flow would exceed the maximum recommended flow rating of the Spirovent, the Spirovent may be installed in a branch of the air handler loop or in a parallel circuit. The parallel circuit should be located above the main return line such that air bubbles can easily flow up into the sidestream.

If a Spirovent is installed on a Chiller Compact system, a two-gallon bladder-type expansion tank should also be installed on the return water piping (to the circulation pump). The bladder-type expansion tank is required even if a CW Pump Package is used because the Spirovent will eventually remove the air from the open expansion tank that is included in the Pump Package.

The Spirotop is a single port auto-air bleeder. The Spirotop can be installed at high points in the air handler loop to allow air to automatically bleed when filling the system. Isolate the Spirotop with a ball valve to allow for service.

Spirovent® and Spirotop® are registered trade names of Spirotherm, Inc.

2.22 - Checking The Circulation Circuit For Leaks

It is recommended to check the circulation circuit piping for leaks while it is being installed, especially before any fittings are hidden behind walls. Test the piping in sections, rather than waiting until construction is complete, so it is easier to isolate leaks if any are found.

The easiest way to test the system is by pressurizing it with air. Cap off any unfinished pipe runs, and install an air fitting at a convenient location. Pressurize the system to 50psi and make sure it holds pressure for a couple of hours. If pressure drops noticeably, then repair the leak and perform the same test again until that section of the piping holds pressure.

Warning: Do not pressurize the system with air once the circulation pump is installed. Doing so might damage the pump seal.

Fill the circulation circuit with fresh water at the fill valve on the pump package. When the circuit is full of water, connect the hoses from the last air handler. Add enough water to bring the pressure up 35psig (241kPa); an adjustment may need to be made to the water-regulating valve. Close the fill valve, give the system thirty minutes to stabilize and then take a reading on the pressure gauge. Leave the circuit alone for 24 hours and then take another pressure gauge reading. The second reading should be within 10% more or less than the first reading. If the second reading is less than 10% below the first reading then there is a leak in the system. Locate and repair the leak and repeat the process. Once no leaks are found, continue with the next two sections of this manual.

2.23 - Flushing The Circulation Circuit

After the chilled water system has been completely installed, the circulation circuit should be flushed to remove any contaminants or particles in the piping. Follow these instructions for flushing the circulation circuit:

1. Shut off the service valves to the air handlers (if installed).
2. Remove the flexible hose from the inlet hose barb on each air handler.
3. Remove the flexible hose from the outlet hose barb on each air handler.
4. Attach these two hoses together using a hose barb. Do this at each air handler.

NOTE: The circulation circuit may be flushed prior to attaching the air handlers by following steps 4-9. See Section 2.22.

5. Install a strainer in the pipe leading to the suction side of the circulation pump to filter any debris. The strainer can be permanently installed in the system at this point to provide continuous filtering of any loose contaminants as well as provide a means to visually inspect water flow, air bubbles, anti-freeze concentrations, etc.
6. Fill the system circulation circuit with water and run the circulation pump for fifteen minutes.

7. Turn off the circulation pump and close the service valves to the pump.
8. Remove and clean the strainer basket.
9. Repeat steps 6-8 until no debris is visible in the strainer basket.
10. Upon completion of the above steps, drain the circulation circuit and reconnect the air handlers.

2.24 - Filling And Purging The Circulation Circuit

Pre-mix a anti-freeze and fresh water solution per the anti-freeze manufacturer's specifications for your application. Use enough anti-freeze to prevent freezing of pipes when vessel is not in use, but do not use more anti-freeze than recommended. Mix the solution in a large container and either use a submersible Dometic PML-500 pump (recommended) or use the circulation circuit pump, priming the pump first, to introduce the solution into the circuit piping. Use only non-toxic, environmentally safe anti-freeze.

Follow these instructions:

1. Connect hose from submersible pump to the water fill valve and open the valve. Or, if using the circulation pump, prime the pump first then disconnect inlet hose and place it in the solution container. Another temporary hose can be connected to the manifold where the inlet hose was disconnected, and that hose should empty into the solution container to complete the chilled water circulation circuit.
2. Turn the air handler circuit breakers ON
3. Set all of the air handler controllers to open their motorized water valves, if installed (refer to air handler control manual). Water valves may be opened manually if no power is available. Access the lever on top of the valve by removing the rubber cover. NOTE: if air handlers have no water valves then ignore this instruction.
4. Locate the bleeder valves on the air handlers on the highest deck.
5. Loosen the bleeder valve on each air handler to allow air and water to drain into the air handlers' condensate pan.
6. Start the pump. If a submersible pump is used, do not run the circulation pump at the same time.
7. Periodically check the air handler condensate pans for proper drainage.
8. When no more air is coming out of the air handler bleeder valve, and a continuous stream of water is visible, tighten the cap on the bleeder valve.
9. Repeat steps 5-8 on every remaining air handler working down from the top deck.

10. Check all fittings and connections for leaks at this time. If a leak is found, close the fresh water fill valve and repair the leak, and then repeat steps 1-9.
11. Steps 4-8 may need to be repeated until all air is removed from the circulation circuit.
12. Turn the air handler circuit breakers OFF.
13. Turn the pump off and reconnect original hoses. Close the fresh water fill valve.
14. The pressure gauge should read between 12-15psig (83-103kPa). Use the water-regulating valve to adjust system pressure. See Section 2.22. The CW fill pressure of 12psig is standard, but if the highest air handler is more than 25'/7.6m above the circulation pump, the pressure might need to be raised a few PSI.

For protecting the environment, collect and discard all discharged anti-freeze solution in accordance with federal, state or local regulations.

3 - OPERATION

3.01 - DDC - Digital Diagnostic Control

Follow these instructions to connect and set the programmable parameters of the DDC circuit board(s). All wires connected to DDC terminal block should have captive fork or ring type terminal connections. See Figure 3.01.

1. With main circuit breaker off, connect the System Control Switch wires to the circuit board as shown in Figure 3.01 (if the switch is located on the electric box then it is already wired).
2. Connect pump or Pump Relay Panel (PRP) wires. Wires connected to pumps should be tightly crimped and insulated with "heat shrink" wire wrap. Pumps larger than 3/4HP (559 watts) require a dedicated PRP. Each PRP should have its own circuit breaker sized for the pump, but not to exceed 20 amps.
3. Connect main power supply from a dedicated circuit breaker; see unit data plate for electrical specifications.
4. With the System Control Switch turned OFF, turn on the chiller's circuit breaker.

VERY IMPORTANT: Proper setting of all the DDC Circuit Board programmable parameters must be completed and verified before starting the system! Please see section 3.03 for details on how to check and set the DDC programmable parameters. See also the DDC Operations Manual (L-2281) for more detailed information.

3.02 - DDC Specifications

- The DDC revision number is displayed for two seconds after the circuit breaker is switched on.
- The return water in ("rtn") and supply water out ("SUP") temperatures are alternately displayed while the system is operating.
- Seawater and chilled water pumps with more than 3/4HP (559 watts) must be controlled through a PRP because the relay on the DDC is not designed to handle the amp load of a larger pump.
- The circulation pump runs continuously when the chiller power switch is on in heat or cool.
- The return water sensor controls the aquastat and is plugged into the DDC socket labeled "RETURN".
- The supply water sensor is a safety device that monitors freeze stat and high limit temperatures in reverse cycle chillers and is plugged into the DDC socket labeled "FREEZE". The freeze stat opens at 38°F (3.3°C), closes at 50°F (10.0°C) and is ignored in heat mode. The high limit switch opens at 125°F (51.7°C), closes at 110°F (43.3°C) and is ignored in cool mode.

3.03 - DDC Programmable Parameters

To check the DDC programmable parameters, press the SELECT button until you see the desired program item. The current setting will be displayed after a short delay. To modify the parameter setting, press and hold the SET button until the desired setting is displayed. Releasing and pressing the SET button again will move the setting in the opposite direction.

The parameter settings that need to be checked and/or set are as follows in the order in which they will be displayed:

CSP - Cooling Set Point - If a system has more than one chiller stage, set the CSP for stage #1 to 48°F (9°C), #2 to 50°F (10°C), #3 to 52°F (11°C), #4 to 54°F (12°C), and #5 to 56°F (13°C). As the return water temperature decreases (in cool mode) the chillers will cycle off as the set point temperatures are reached and cycle on when the temperature is 2°F (1.1°C) above the set point.

HSP - Heating Set Point - If a system has more than one chiller stage, set the HSP for stage #1 to 110°F (43°C), set #2 to 108°F (42°C), #3 to 106°F (41°C), #4 to 104°F (40°C), and #5 to 102°F (39°C). As the return water temperature increases (in heat mode) the chillers will cycle off as the set point temperatures are reached and cycle on when the temperature is 2°F (1.1°C) below the set point.

dl - Staging Delay - If a system has more than one chiller stage, set the staging delay for chiller #1 to 30 seconds, set chiller #2 to 60 seconds, #3 to 90, #4 to 120, and #5 to 150. The compressors will now come on at 30-second intervals.

°F or °C - Temperature Units - Select the appropriate temperature units.

rc or EH - Reverse Cycle or Electric Heat - If the system is equipped with the electric heat option, select EH for this parameter.

clc or con - Cycled or Continuous seawater pump operation - Select the desired seawater pump operation, either cycled on demand with the compressors or on continuously whenever the chiller breaker power is turned on. If set to "clc" the pump will come on 10 seconds before the compressor and cycle off 10 seconds after the compressor shuts down.

LPE or LPd - Low Pressure Freon detection enabled or disabled - If the system is equipped with a low pressure switch, this parameter must be set to LPE (enabled).

AC - AC line voltage monitor - AC line voltage is displayed. Only authorized service personnel should adjust this parameter, if necessary.

3.04 - Fault Display Codes

- HiP** System goes off on High Pressure, lockout will occur after four faults, reset with system switch.
- LoP** System goes off on Low Pressure, lockout will occur after four faults, reset with system switch.
- FrE** Freeze Stat fault, supply water temperature is colder than 38°F (3°C).
- Sen** Return Water Sensor has failed.
- HiL** High Limit Switch fault, supply water temperature is hotter than 125°F (52°C).
- FSn** Supply Water Sensor has failed.
- LAC** Low AC voltage (less than 85 for 115VAC, and less than 170 for 230VAC).

See Section 5 - Trouble-Shooting Guidelines, for more information.

3.05 - Using The Bimini Jumpers For Trouble-Shooting

WARNING: SWITCH MAIN POWER OFF BEFORE OPENING THE ELECTRICAL BOX!

The Bimini jumpers can be used to force a system output on for trouble-shooting or emergency operation. These jumpers override all fault codes. **The system should not be left unattended when any of the system outputs are forced on.**

The jumpers are labeled as follows:

“COMP” = compressor

“CWP” = circulation water pump

“SWP” = seawater pump

“VLV” = reversing valve

3.06 - Sequencing The Compressors

In normal operation of a multi-stage system, the #1 compressor is always first on and last off, thereby logging more hours of run time than any of the other compressors. In order to average out the run time for all compressors over the life of the system, it is recommended to rotate the sequence of the lead compressor every six months. This can be done by resetting the cooling and heating set points and staging delays on each unit's DDC. Before starting, label each compressor with its new designated number; the current DDC #1 takes last place, #2 becomes #1, #3 becomes #2, etc. After labeling is complete and main power has

been disconnected, reset the “CSP”, “HSP” & “dl” programmable parameters per specifications in Section 3.03.

IMPORTANT: If the pumps are connected directly to the lead compressor's DDC (i.e., if there are no PRPs) then the pump wires must be moved to the new #1 DDC.

NOTICE: Resequencing the compressors is unnecessary if the systems is controlled by the optional CWMC (Chilled Water Master Control).

3.07 - Start-Up Of The System

The following procedure should be followed when starting the chilled water system. With the installation complete and the circulation circuit filled with water and purged of air:

1. Open the sea cock valve to the seawater system.
2. Open all manifold and air handler valves, if installed.
3. Turn on all the system circuit breakers: chiller, pumps and air handlers.
4. Open all the air handler water valves (if applicable) by adjusting their respective controllers. (Refer to air handler control manual.)
5. Set desired cabin temperatures at air handler controls.
6. Turn all chillers on (COOL or HEAT) at the system control switches.
7. Check for a steady, solid stream of water from the overboard discharge.
8. Verify that there is good airflow from each air handler.

NOTE: In a multiple unit system, never run one chiller in cool while running another one in heat.

4 - MAINTENANCE

Chilled water systems require basic minimal maintenance to insure proper operation and long-term reliability. Routine maintenance should be performed at frequent intervals. These intervals - daily, weekly, and monthly - will vary from vessel to vessel due to its location and usage. Extended maintenance should be performed at semi-annual or annual intervals; these intervals will also vary. Winterization of a system may be required for vessels stored or operating in extremely cold climates.

4.01 - Routine Maintenance

The seawater strainers and thru-hull fittings must be inspected and cleaned regularly to provide sufficient seawater flow through the chiller's condenser coil. Obstructed seawater flow will cause compressors to operate at higher pressures, temperatures and amperages causing excessive wear on internal compressor components and possible nuisance tripping on the pressure switches.

- Strainer baskets should be emptied and inspected for marine growth on the basket wall. This should be removed prior to reinstallation.
- Any silt, sand or marine debris should be removed from the strainer housing.

The chilled water circulation circuit must be filled completely with water. Air in the circuit will inhibit performance. Return water pressure should be between 12-15psig (83-103kPa) while in cool mode and when the system is off. Return water pressure may get as high as 20psig (138kPa) in heat mode due to water expansion. Discharge (supply) water pressure should be 25-30psig (172-207kPa) while the system is running. Systems without gauges must rely on the lack of cooling or heating from the air handlers, or audible noise in the pipes to determine that air exists in the circuit. Note: Continual recurrence of air in the system, or pressure loss, is a sign of a water leak in the circuit.

Return air filters for each air handler must be inspected and cleaned or replaced regularly to provide sufficient airflow through each unit. Obstructed airflow will cause poor performance of an air handler, resulting in reduced cooling or heating capacity.

Filters can be located on the air handler coil or on the back of the return air grille or opening. Access the filter through the existing cabinetry or by removing part, or all, of the grille. Remove the filter and vacuum or wash it to remove particles, lint, etc. Do not use soaps or solvents when washing. Allow filter to dry and then reinstall it securely in place.

Or use Dometic's new Micro-Particle Anti-Allergenic air filters instead of the standard type. These new filters capture smoke, dust, lint, odors, pet dander and other airborne

micro-particles that are invisible to the naked eye. They mount directly to the air handler, are disposable and should be replaced rather than cleaned. Contact your Marine Air dealer for ordering information.

Electrical connections should be inspected and tightened as needed. Heat and vibration can cause connectors to loosen causing poor contact and voltage drop or arcing. This may cause components to operate poorly or fail prematurely, and nuisance tripping of the circuit breaker. To service electrical components:

- Disconnect main power supply before repairing or replacing components or wires.
- Tighten all loose connections at terminal block and components (contactors, timers, relays, etc.).
- Inspect connectors for burn marks, frayed wires, loose connections, etc. If any are found, the connector or connection should be replaced or repaired.
- Voltage to the equipment should be checked with a meter periodically to insure a proper power supply. Compressors, pumps, fans, etc. are electrically rated with a $\pm 10\%$ value for voltage.

It is recommended that all systems be operated regularly. Vessels not in use should have their chillers and air handlers switched on and run for at least one hour, once a month. Vessels in regular use should do the same for units that are not operated on a regular basis. Systems should also be occasionally switched to their reverse mode (from cool to heat and from heat to cool). Running the system at regular intervals helps to maintain pump seals and internal mechanical contacts (such as reversing valves), while reducing the fouling effect of marine growth in the seawater circuit.

4.02 - Extended Maintenance

Condenser coils and seawater hoses installed below the waterline can become fouled over a period of time due to marine growth and/or scale build-up inside the coils. This both obstructs water flow and prohibits proper heat transfer, causing compressors to operate continuously with higher temperatures, amperages, and refrigerant pressures.

- Condenser coils and seawater hoses can be flushed and cleaned by connecting a closed loop system and circulating a scale dissolving solution. See Section 4.05.
- Most authorized servicing dealers or large boatyards can provide this service.

The seawater pump housing and impeller shroud should

be checked for wear. Pump seals should be checked and lubricated according to each pump manufacturer's recommendations. Worn or pitted impellers should be replaced. Any signs of corrosion should be addressed immediately. Some pumps have oil ports and may need occasional oiling. See the pump manufacturer's label to be sure.

Seawater pump manufacturer's maintenance recommendations:

- **Cleaning:** Remove oil, dust, dirt, water and chemicals from exterior of motor and pump. Keep motor air inlet and outlet open. Blow out interior of open motors with clean compressed air at low pressure. Regularly drain moisture from TEFC (Totally Enclosed Fan Cooled) motors.
- **Labeled Motors:** It is imperative for repair of a motor with Underwriters' Laboratories label that original clearances be held: that all plugs, screws and other hardware be fastened securely, and that parts replaced be exact duplicates or approved equals. Violation of any of the above invalidates Underwriters' label.
- **Lubrication:** Pumps should require no maintenance, other than the motor bearings, according to the following instruction:
 - **Double-Shielded:** When double-shielded prelubricated bearings are furnished, then no lubrication is required for the life of the bearings. Inspect bearings periodically to determine the condition of the grease and replace the bearings if necessary.
 - **Single Shielded w/Grease Fittings:** When single shield bearings are furnished periodic inspection, cleaning and relubrication is required. See motor manufacturer's specific instructions on the pump label.

Air handler motorized water valves (if installed) should be inspected for corrosion that may bind the gear mechanism.

- With the air handler power switched off, access the water valve and remove the rubber cover and the aluminum motor case. If the rubber cover is missing, a replacement should be ordered and installed.
- Inspect the gears and remove any build-up on the motor gear and/or the valve gear.
- Dry thoroughly and lubricate with a silicon spray or equivalent.
- Manually operate the gear mechanism using the lever on the top of the valve before reassembly.

Air handler condensate drain pans should be inspected for proper drainage.

- Access each air handler and visually inspect the drain pan for standing water. If any significant water is

present, check the condensate drain lines for improper installation (upward loops above the pan, kinked lines, etc.). Check the drain connection to the pan for any obstructions.

- If no standing water is present, pour a quart of fresh water into the pan. Make sure it drains immediately and thoroughly down to the bottom of the drain connection. If not, check as above.

All control probes and sensors should be inspected for proper location and fastening. Improperly located and/or secured probes will provide erroneous readings, causing improper operation.

- Inspect all temperature probes and sensors on the chilled water unit.
- Sensors inserted into probe wells in the chiller compact should be inserted all the way into the well, filled with thermal mastic for efficient heat transfer, and insulated on the end to hold the probe in place and prohibit condensation.
- Sensors externally fastened to coils, pipes, etc. should be securely fastened with thermal mastic between the contact surfaces and insulated to provide accurate readings.
- Check all sensors at each air handler for proper location. Water sensors should be securely fastened and insulated on the supply connection (water inlet) of the air handler. If the built in air sensor on the controller display panel is not utilized, the remote air sensors should be located in the return air stream, as close to the cabin area as possible, without being in contact with any other hot or cold surface. All sensors should be securely fastened.

Any rust or corrosion present should be inspected immediately. The presence of water due to condensation from the circulation circuit may cause rusting on any bare metal. Bare metal should be cleaned, primed and coated. Sources of condensation should be located and properly sealed. If corrosion is present, the source of the corrosion, either galvanic or chemical, should be determined and then should be dealt with in the appropriate manner.

See Section 3.06 - Sequencing the Compressors, for long term compressor maintenance.

4.03 - Winterization And The Use Of Anti-Freeze

Winterization of the chilled water circulation circuit is necessary for vessels stored in extremely cold climates. An anti-freeze solution should be introduced into the circulation circuit to protect pipes and hoses from freezing and bursting. The percentage of anti-freeze should be selected based on the following definitions of freeze protection and

burst protection. Use only non-toxic, environmentally safe anti-freeze.

Freeze protection should be provided for vessels that must remain operational in cold weather, or where cold weather start-ups may be required. Choose a solution that will prevent the formation of ice crystals at 5°F (9°C) below the lowest anticipated system temperature.

Burst protection should be provided for vessels that do not operate during the winter and where cold weather start-ups will not be required. The anti-freeze solution will prevent bursting but not necessarily be high enough to maintain the fluid in a pumpable state.

The table in Figure 4.03 provides freeze and burst protection temperatures for typical ethylene and propylene anti-freeze mixtures.

See Figure 4.03 in back of this manual.

The following procedures are recommended for **winterizing**:

1. Shut off the fresh water fill valve to isolate the chilled water circulation circuit.
2. Select the highest air handler with easy access and purge excess water pressure from the system at the air bleeder valve. The water can be purged into a container or into the condensation pan of the air handler as long as the anti-freeze solution is captured and not discharged overboard.
3. Put the bleeder line into a container of pre-mixed anti-freeze solution.
4. Open an air bleeder valve on an air handler located at the lowest point in the system. The water may be bled into a container or directly into the condensation pan of the air handler as long as the anti-freeze solution is captured and not discharged overboard. When the anti-freeze solution has been siphoned into the water circuit, close all bleeder valves.
5. Purge the system of any air. See Section 2.24.
6. Start the circulation pump to distribute the anti-freeze solution throughout the chilled water circuit.
7. If the system is being winterized for burst protection it is necessary to have air pockets in each of the air handlers to provide room for expansion of the anti-freeze as the solution changes phase from liquid to solid. In this case, do not purge the air from the system.

Warning: For the purpose of protecting the environment, collect and discard all discharged anti-freeze solution in accordance with federal, state and/or local regulations. Use only non-toxic, environmentally safe anti-freeze.

4.04 - De-Winterizing

To prepare the vessel for use in warmer temperatures, introduce a pre-mixed solution of no more than 15% anti-freeze using the same procedure outlined above for winterizing.

4.05 - Condenser Coil Cleaning Procedure

1. With the system switched off at the circuit breaker, disconnect the inlet and outlet connections of the condenser coil seawater manifolds.
2. Use chemical resistant hoses (MAS white 5/8" for instance) and adapter connections to connect the inlet and outlet of the manifold to a chemical resistant, submersible pump (MAS PML-500).
3. Place the pump into a container filled with a 3-5% solution of muriatic or hydrochloric acid and fresh water. Use as large of a container as possible to hold the solution (5-25 gallons/19-95 liters). Pre-mixed solutions can be used, or mix water proportionately with muriatic acid or hydrochloric acid. **Caution:** avoid spilling or splashing the solution. Follow all warnings and recommendations given by the manufacturer of any acids or pre-mixed solutions.
4. Power the pump and circulate the solution through the manifold for 15-45 minutes depending upon the size of the coils and the extent of the contamination. Visual inspection of the solution in the container should indicate when contamination removal has stopped.
5. Circulate fresh water through the coil to flush any residual acid from the system.
6. Restart the system and check operational parameters (pressures, amperage, etc.) to ensure thorough cleaning has taken place. Additional cleaning(s) may be necessary in cases of extreme contamination.

Warning: For protecting the environment, dispose of any contaminated acid solutions in accordance with federal, state and/or local regulations.

4.06 - Maintenance Record

See Figure 4.06 Maintenance Record

5 - TROUBLE-SHOOTING GUIDELINES

Fault: System will not start. No power to chiller.

1. **Circuit Breaker at ship's panel is off.**
Switch on breaker(s) and monitor operation.
2. **Miswiring or bad connection at terminal block in electrical box.**
Check wiring diagram and correct if inconsistent, or repair bad connection.

Fault: System will not start. Chiller has power.

1. **Water temperature satisfied.**
Switch on air handlers to load chilled water circulation circuit.

Fault: System starts but trips circuit breaker.

1. **Breaker is undersized.**
Verify breaker size against specifications on chiller data plate.
2. **Electrical short.**
With power off, check between ground, L1, L2, and if applicable L3 for continuity. Check components for continuity between same. Correct or replace components where necessary.
3. **Loose or corroded electrical connections.**
Check and repair as necessary.

Fault: "HiP" (High Pressure Switch fault) appears on DDC display in COOL mode.

1. **System cycled on high-pressure switch. This switch monitors refrigerant pressure. It opens at 425psig and resets at 200psig. Compressor shuts down for a minimum time equal to its staging delay or until fault is cleared.**
Check for seawater flow. Service pump or clean strainer or condenser coils as necessary.
2. **Seawater pump is air locked**
Bleed air from seawater circuit.
3. **Seawater pump circuit breaker has tripped.**
Reset circuit breaker and repair if necessary.

Fault: "HiP" (High Pressure Switch fault) appears on DDC display in HEAT mode.

1. **Circulating pump not operating.**
Pump air locked.
Open fresh water fill valve and bleed system. Circuit breaker for pump switched off.
Switch on circuit breaker. Insufficient water in chilled water circulation circuit. See Section 2.24.

Fault: "LoP" (Low Pressure Switch fault) appears on DDC display.

1. **System cycled on low-pressure switch. This switch monitors refrigerant pressure. It opens between 24 and 32psig, and closes between 40 and 50psig. Compressor shuts down for a minimum time equal to its staging delay or until fault is cleared.**
Fix refrigerant leaks or restrictions. Restart chiller once pressure is above 50psig.
Check that circulation water is at correct glycol-to-water ratio, ensure that vessel has been de-winterized (see Section 4.04).

Fault: "FrE" (Freeze Stat fault) appears on DDC display.

1. **System cycled on freeze stat in cool mode.**
Insufficient water in chilled water circulation circuit. See Section 2.24.
Temperature set point is too low. See Section 3.03.
Circulating pump is not operating (see "HiP" fault above).

Fault: "Sen" (Return Water Sensor fault) appears on DDC display.

1. **Return water sensor has failed.**
Check connections, repair or replace failed sensor.

Fault: "HiL" (High Limit Switch fault) appears on DDC display.

1. **System cycled on high limit switch in heat mode.**
Insufficient water in chilled water circulation circuit. See Section 2.24.
Temperature set point is too high. See Section 3.03.

Fault: "FSn" (Supply Water Sensor fault) appears on DDC display.

1. Supply water sensor has failed.

Check connections, repair or replace failed sensor.

Fault: “LAC” (Low AC Voltage fault) appears on DDC display.

1. Insufficient AC power on start-up.

Monitor voltage drop during start-up and normal operation. If a significant drop occurs, check main wiring connections. Access a larger power source if necessary.

See Section 3.05 - Using the Bimini Jumpers for Trouble-Shooting for more information.

6 - MANUFACTURERS LIMITED WARRANTY AGREEMENT

The following warranty is extended to cover products manufactured or supplied by **Dometic Environmental Corporation** and is subject to qualifications indicated. Marine Air Systems warrants for the periods set forth below that products manufactured or supplied by it will be free from defects in workmanship and material, provided such products are installed, operated and maintained in accordance with Marine Air Systems' written instruction.

ALL IMPLIED WARRANTIES INCLUDING MERCHANTABILITY AND FITNESS FOR A PARTICULAR PURPOSE, ARE LIMITED TO THE TERMS AND PERIODS OF WARRANTY SET FORTH BELOW AND, TO THE EXTENT PERMITTED BY LAW, ANY AND ALL IMPLIED WARRANTIES ARE EXCLUDED.

Components comprising a complete system on a new installation are warranted for a period of one (1) year from the date of installation, but not to exceed two (2) years from the date of manufacture at the Marine Air Systems factory. Dometic will pay labor and travel costs as outlined in its **Schedule of Limited Warranty Allowances** for removal and re-installation of such components for a period of one (1) year from the date of installation, but not to exceed two (2) years from the date of manufacture at the Marine Air Systems factory. OEM installed equipment warranties begin with the commission date of a new vessel. Costs that exceed the schedule of limited warranty allowances, i.e., parts, labor, limited travel allowance, removal and re-installation time are the responsibility of the customer.

Dometic will repair or replace, at its option, components found to be defective due to faulty materials or workmanship, when such components, examined by an authorized

service dealer or a factory service representative, are found to have a defect for which the company is responsible. Replacement components are warranted for the duration of the remaining warranty period in effect on the original component.

This limited warranty is extended in lieu of all other warranties, agreements or obligations, expressed or implied, concerning Marine Air Systems' components. This limited warranty is extended only to the original purchaser and is not transferable. This limited warranty shall be governed by the laws of the State of Florida, USA, and gives the original first end user definite legal rights.

This limited warranty does not cover damages incidental and/or consequential to the failure of Dometic's equipment including but not limited to: normal wear, accident, misuse, abuse, negligence or improper installation, lack of reasonable and necessary maintenance, alteration, civil disturbance or act of God.

No person or dealer is authorized to extend any other warranties or to assume any other liabilities on Marine Air Systems' behalf, unless authorized in writing by an officer of Marine Air Systems.

Note: Dometic's warranty does not cover the effectiveness of the installation of this product. The warranty will only cover the workmanship and materials of the products manufactured or supplied by Marine Air Systems as stated above. The installation specifications outlined in this manual must be properly adhered to in order for the warranty to be in effect.

(This page left intentionally blank)

7 – DESCRIPTION OF FIGURES

Figure 2.01a Dual Chiller Compact with DDC Wiring Diagram – Two Stage System Example (drawing number H2510013)

Figure 2.01b Chiller Compact Wiring Diagram – Single Phase (drawing number H2510001M)

Figure 2.01c Chiller Compact Wiring Diagram – Three Phase (drawing numbers H2510008H & H2510009F)

Figure 2.07 Sizing of Ducting and Grilles

Figure 2.08 AT Air Handlers Installation

Figure 2.09 Blow Thru Air Handlers Installation

Figure 2.10 Slim Line Air Handlers Installation

Figure 2.13 Seawater Plumbing and Pump Configuration

Figure 2.14 Example of a Chilled Water Circulation Circuit Piping Schematic

Figure 2.15 Manifold, Pipe and Hose Sizes

Figure 2.17 Chilled Water Pump Package

Figure 2.18 Suggested Piping to Air Handlers

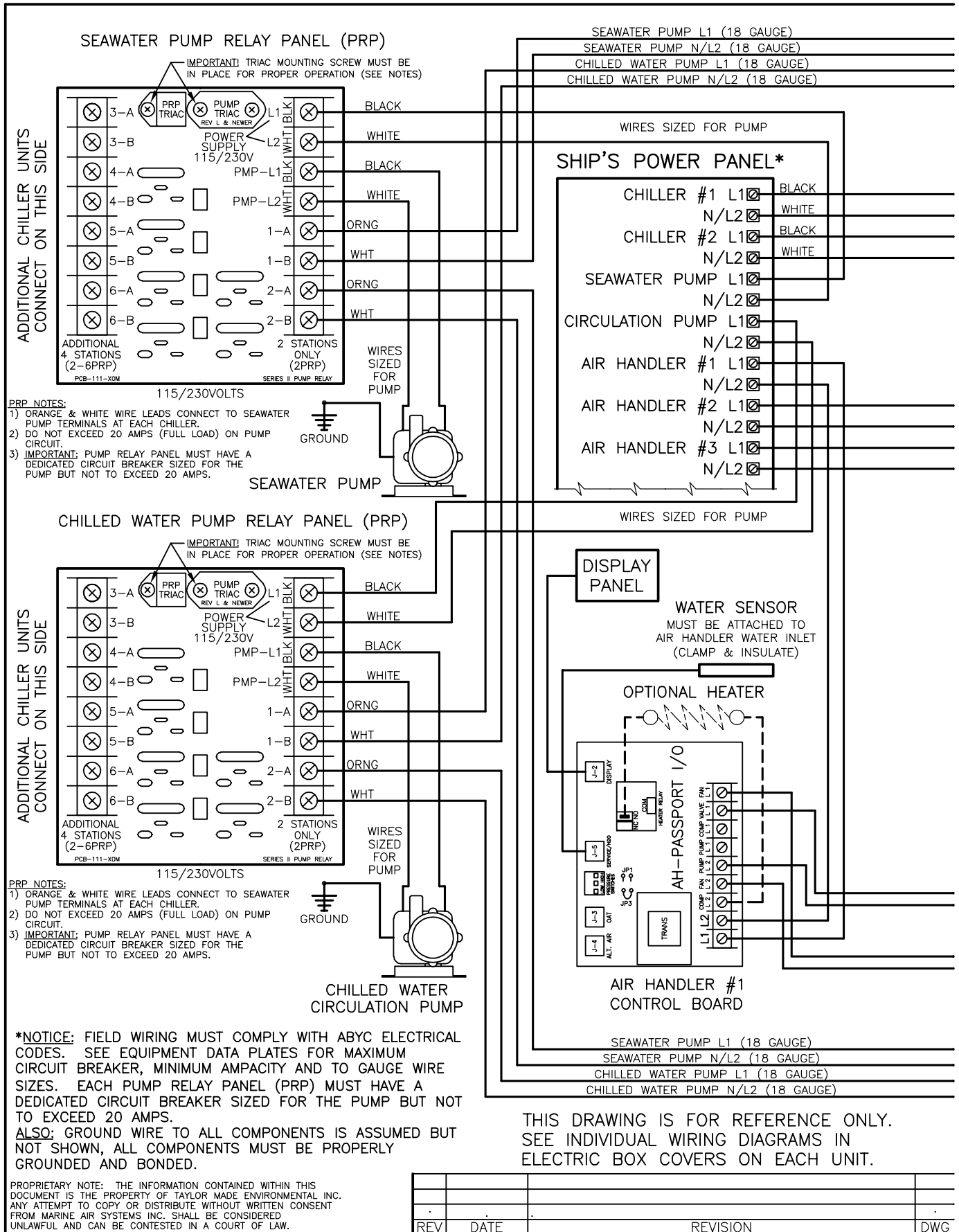
Figure 2.19 Insulated Circulation Circuit Pipe Support

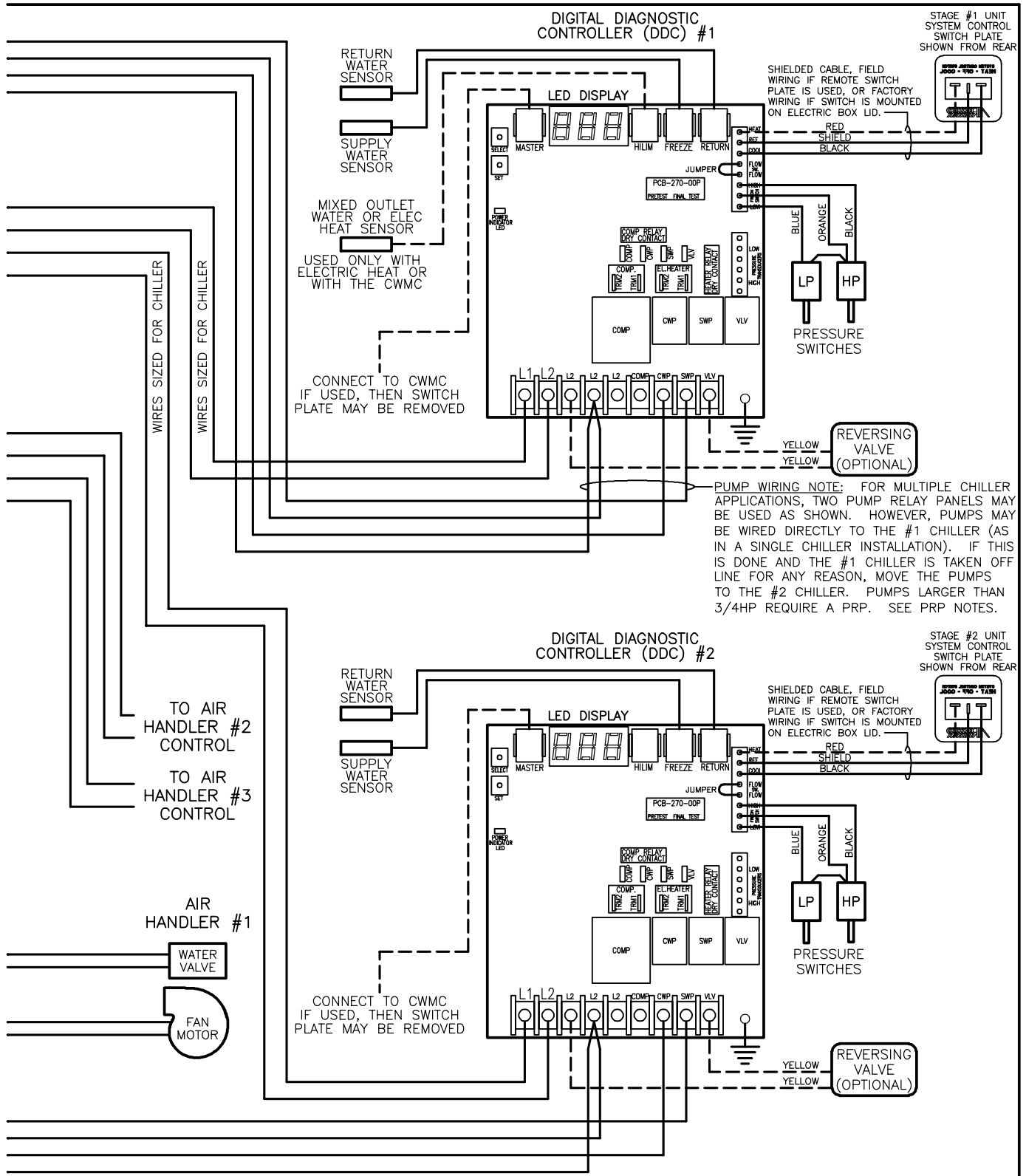
Figure 3.01 DDC – Digital Diagnostic Controller Circuit Board and Switch

Figure 4.03 Volume Percent Anti-Freeze Concentration Required

Figure 4.06 Maintenance Record

Figure 2.01a Dual Chiller Compact with DDC Wiring Diagram – Two Stage System Example (drawing number H2510013)





Dometic Corporation
- Marine Air -

Cruisair - Marine Air - Grunert - Sentry - Tundra

DATE: 05/18/04

SCALE: N.T.S.

PART NUMBER: T.B.D.

DRAWN BY: DKM

APPROVED BY: M G

2-STAGE CHILLER COMPACT
SAMPLE WIRING DIAGRAM INCLUDING:
DDC CONTROLS, AH-PASSPORT I/O & PRP'S
115-230VAC/50-60HZ/1Ø

DRAWING NO:

H2510013

Figure 2.01c Chiller Compact Wiring Diagram – Three Phase (drawing numbers H2510008H & H2510009F)

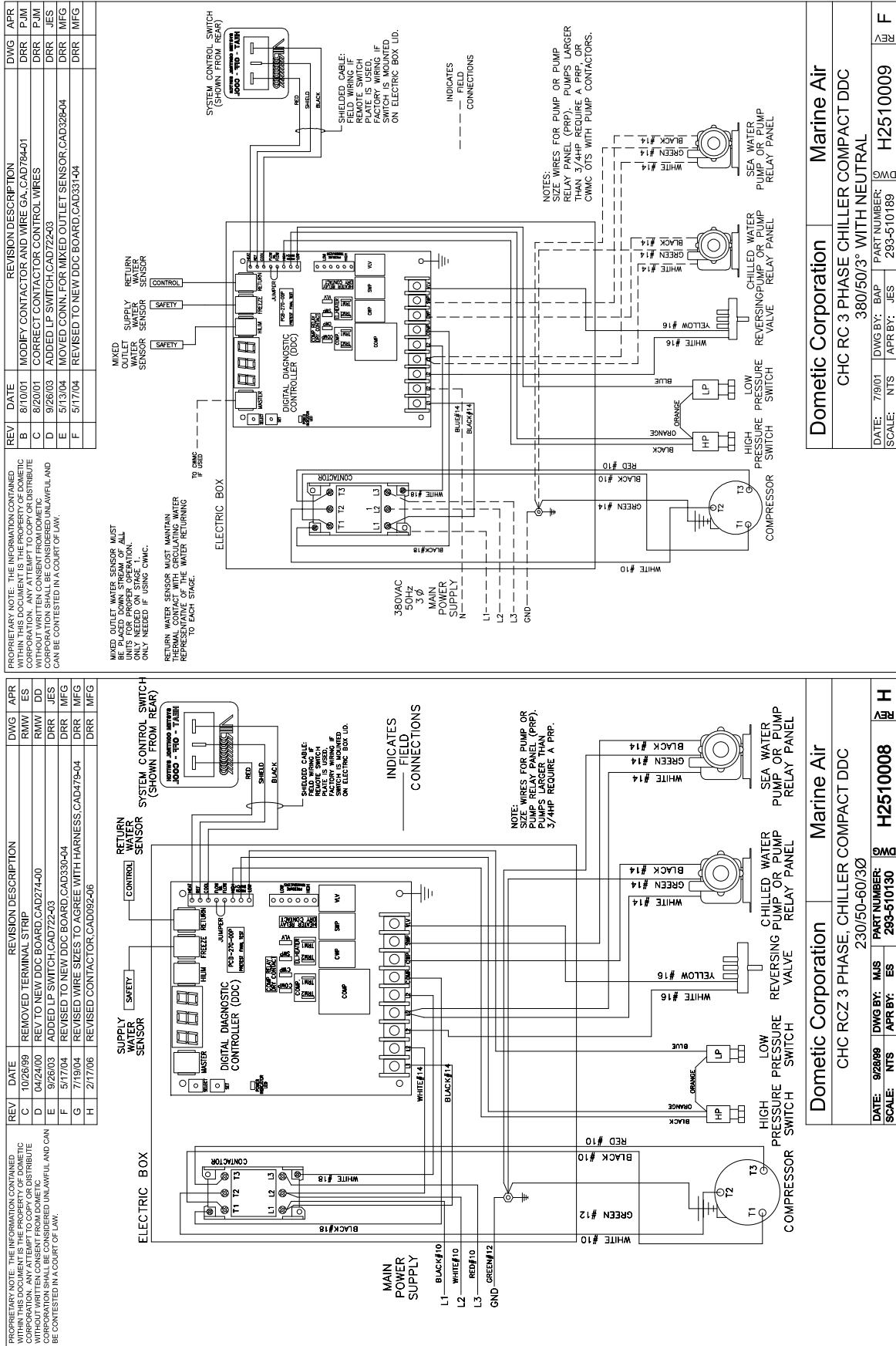


Figure 2.07 Sizing of Ducting and Grilles

AT Air Handlers							
BTU/hr	4,000	6,000	9,000	12,000	18,000	24,000	36,000
Duct Diameter	4 in 102 mm	5 in 127 mm	5 in 127 mm	6 in 152 mm	7 in 178 mm	8 in 203 mm	8 in 203 mm
Supply Air Grille	32 sq in 206 sq cm	35 sq in 226 sq cm	49 sq in 316 sq cm	70 sq in 452 sq cm	100 sq in 645 sq cm	140 sq in 903 sq cm	196 sq in 1265 sq cm
Return Air Grille	64 sq in 413 sq cm	70 sq in 452 sq cm	98 sq in 632 sq cm	130 sq in 839 sq cm	200 sq in 1290 sq cm	240 sq in 1548 sq cm	360 sq in 2353 sq cm

Blow Thru Air Handlers						
BTU/hr	6,000	9,000	12,000	16,000	18,000	24,000
Supply Air Outlet	17x7 in 432x178 mm	17x7 in 432x178 mm	25x7 in 635x178 mm	25x7 in 635x178 mm	37x7 in 940x178 mm	37x7 in 940x178 mm
Return Air Inlet	120 sq in 774 sq cm	120 sq in 774 sq cm	170 sq in 1097 sq cm	170 sq in 1097 sq cm	260 sq in 1677 sq cm	260 sq in 1677 sq cm

Slim Line Air Handlers							
BTU/hr	6,000	9,000	12,000	18,000	24,000	30,000	36,000
Supply Air Outlet	12x4 in 305x102 mm	16 x 4 in 406x102 mm	24 x 4 in 610x102 mm	30 x 4 in 762x102 mm	36 x 4 in 914x102 mm	47 x 4 in 1194x102 mm	54 x 4 in 1372x102 mm
Return Air Inlet	15x7.25 in 381x184 mm	19x7.25 in 483x184 mm	27x7.25 in 686x184 mm	33x7.25 in 838x184 mm	39x7.25 in 991x184 mm	50x7.25 in 1270x184 mm	57x7.25 in 1448x184 mm

Figure 2.08 AT Air Handlers Installation

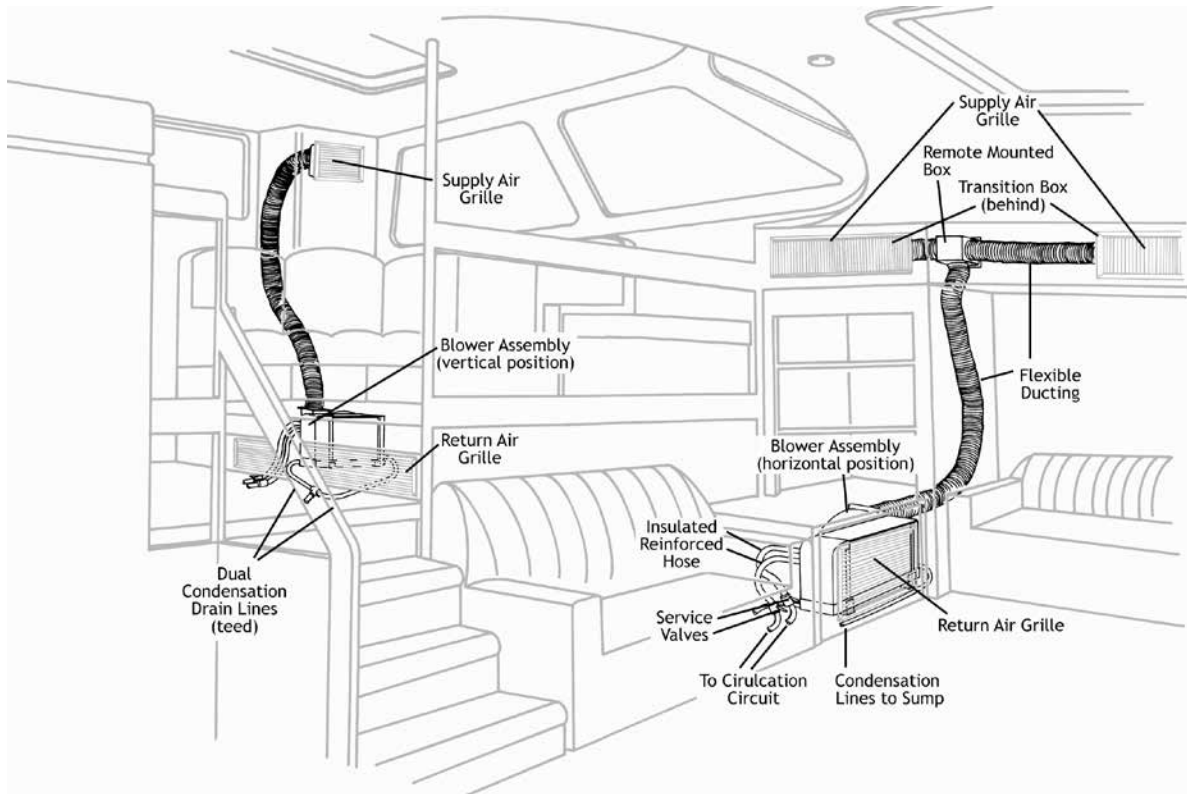


Figure 2.09 Blow Thru Air Handlers Installation

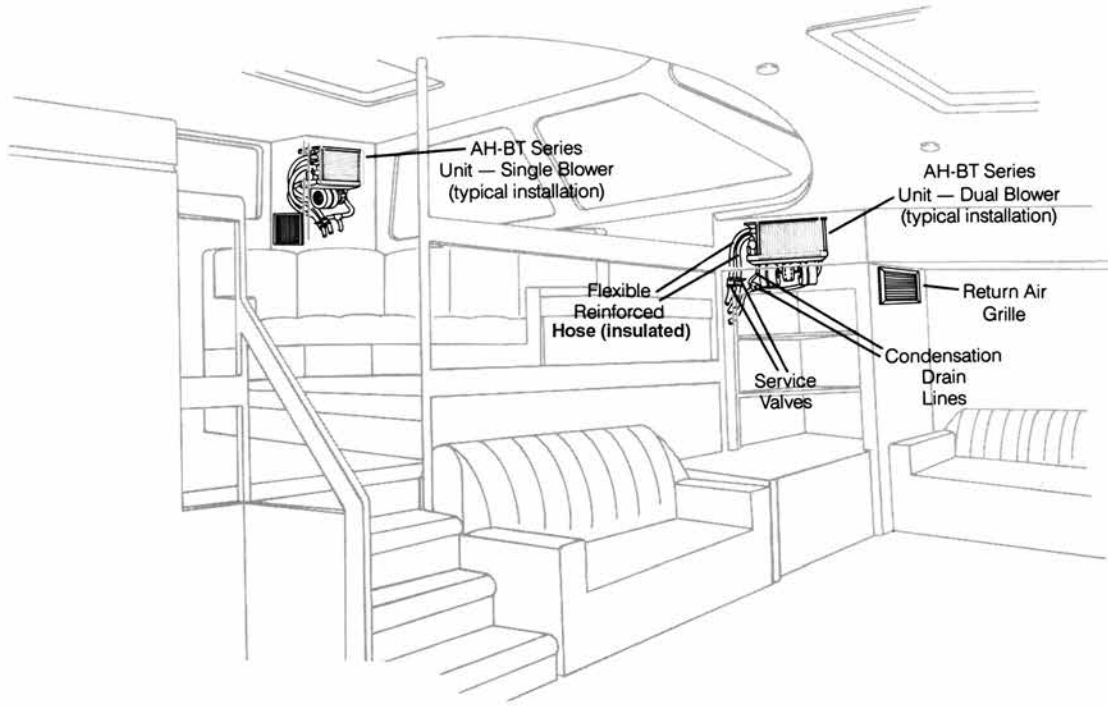


Figure 2.10 Slim Line Air Handlers Installation

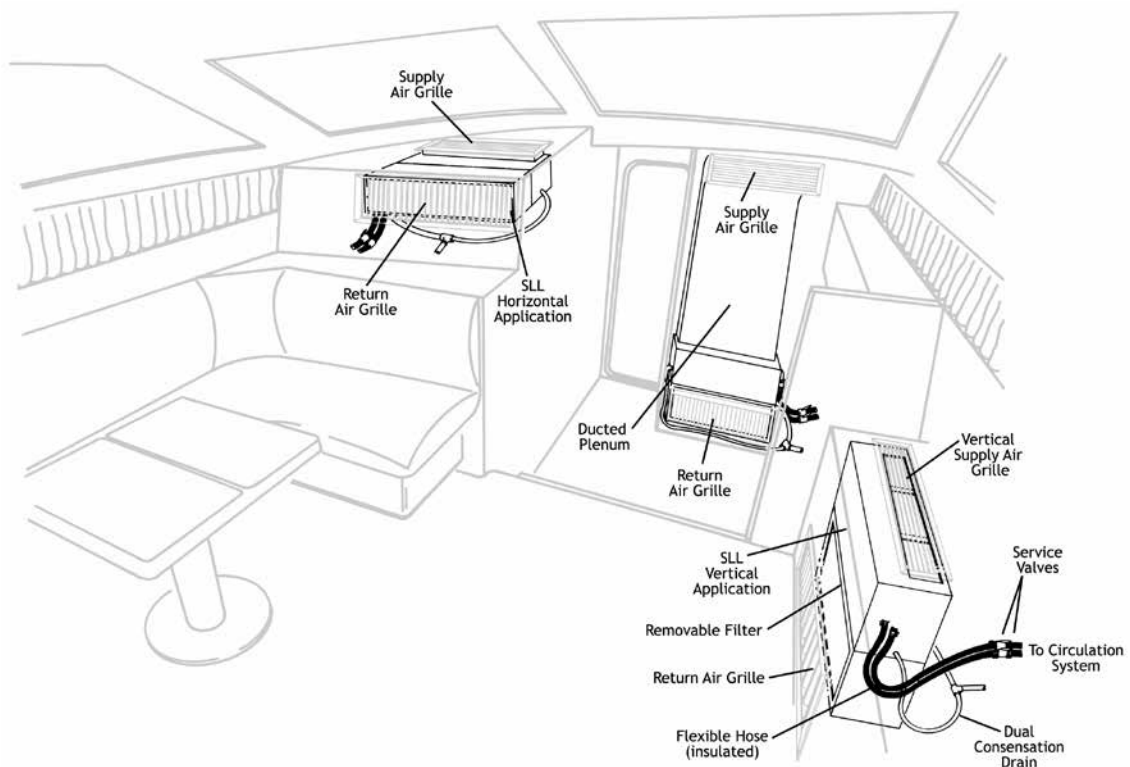


Figure 2.13 Seawater Plumbing and Pump Configuration

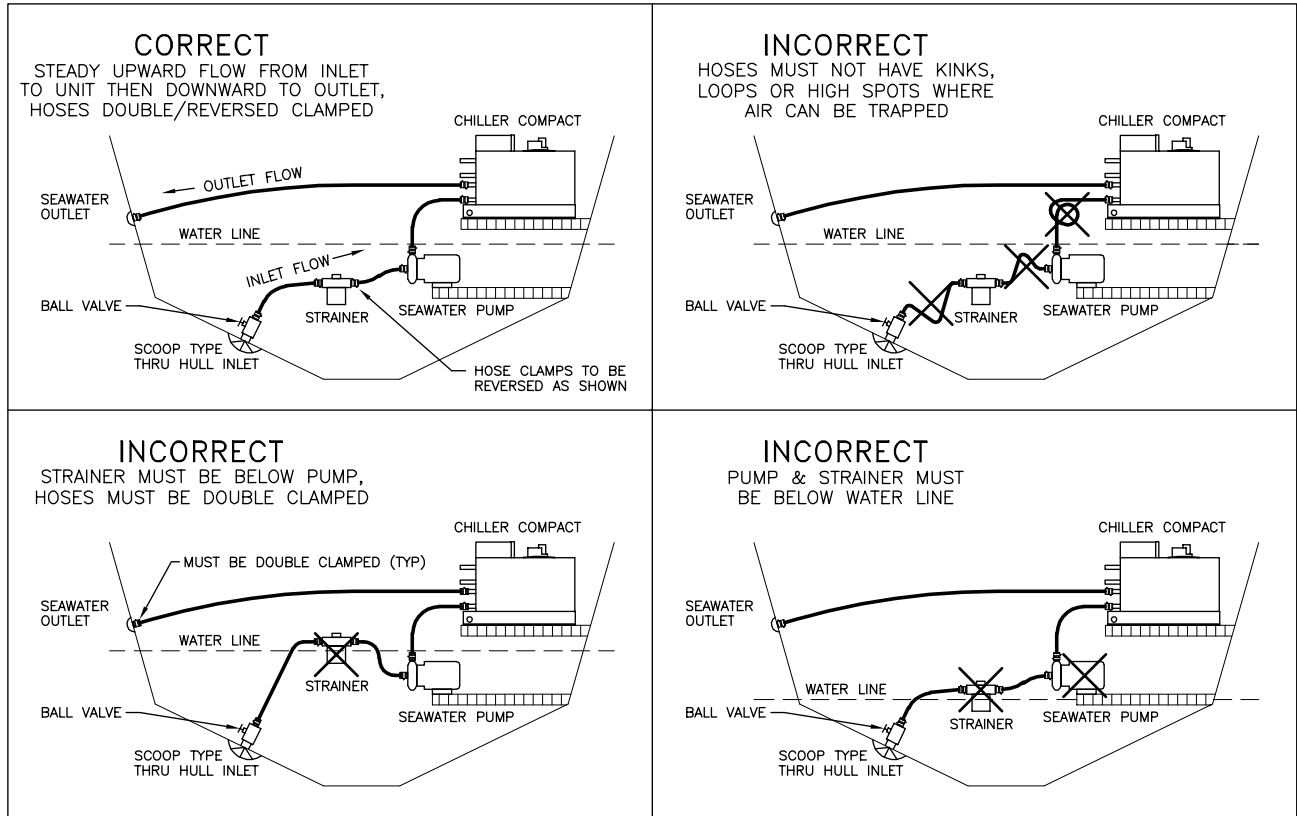


Figure 2.14 Example of a Chilled Water Circulation Circuit Piping Schematic

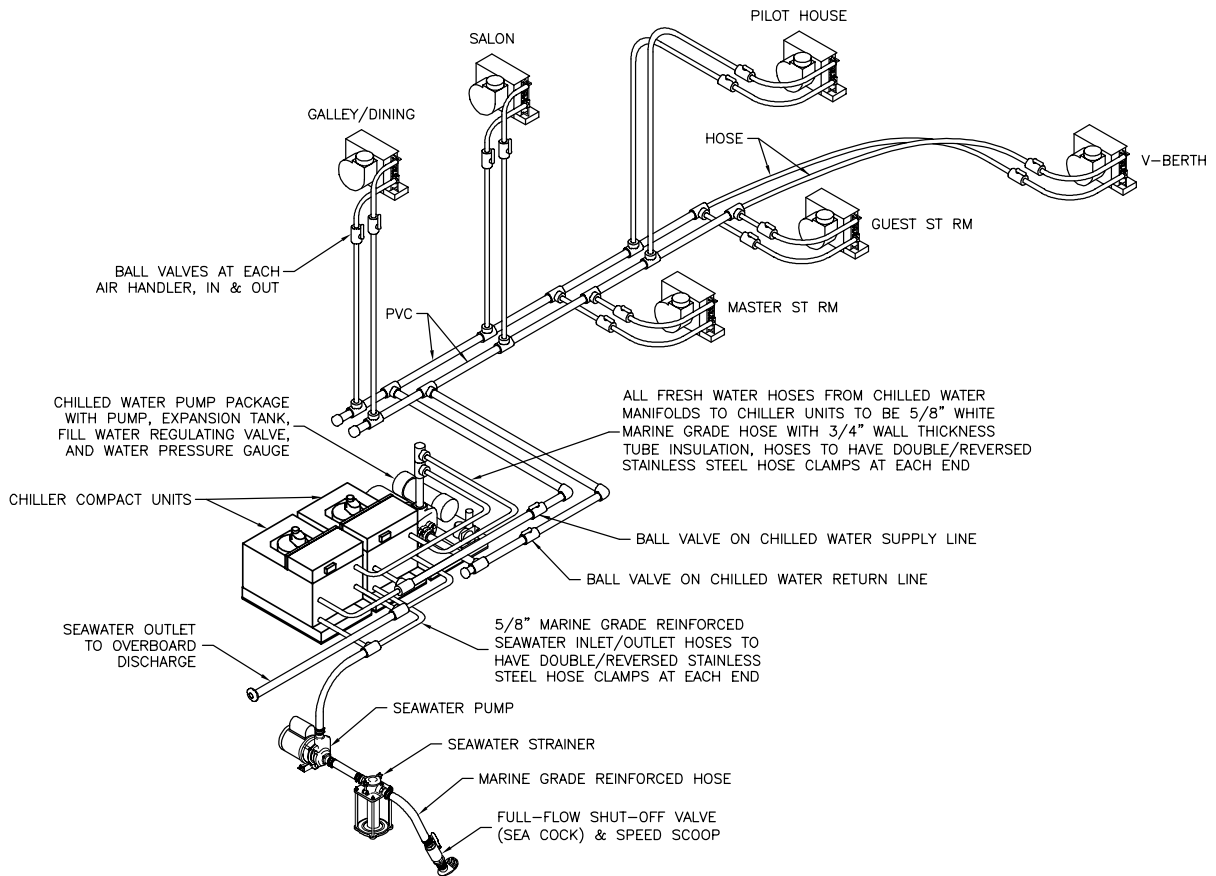


Figure 2.15 Manifold, Pipe and Hose Sizes

System Capacity (BTU/Hr x 1000)	4-16	17-24	25-48	49-84	85-120
Tons	0.33-1.33	1.42-2.00	2.08-4.00	4.08-7.00	7.08-10.00
GPM (3/ton)	1.00-4.00	4.25-6.00	6.25-12.00	12.25-21.00	21.25-30.00
Nominal Pipe/Hose I.D.	5/8"	3/4"	1"	1-1/4"	1-1/2"
Metric Pipe Equivalent	N/A	22mm	28mm	35mm	42mm

Figure 2.17 Chilled Water Pump Package

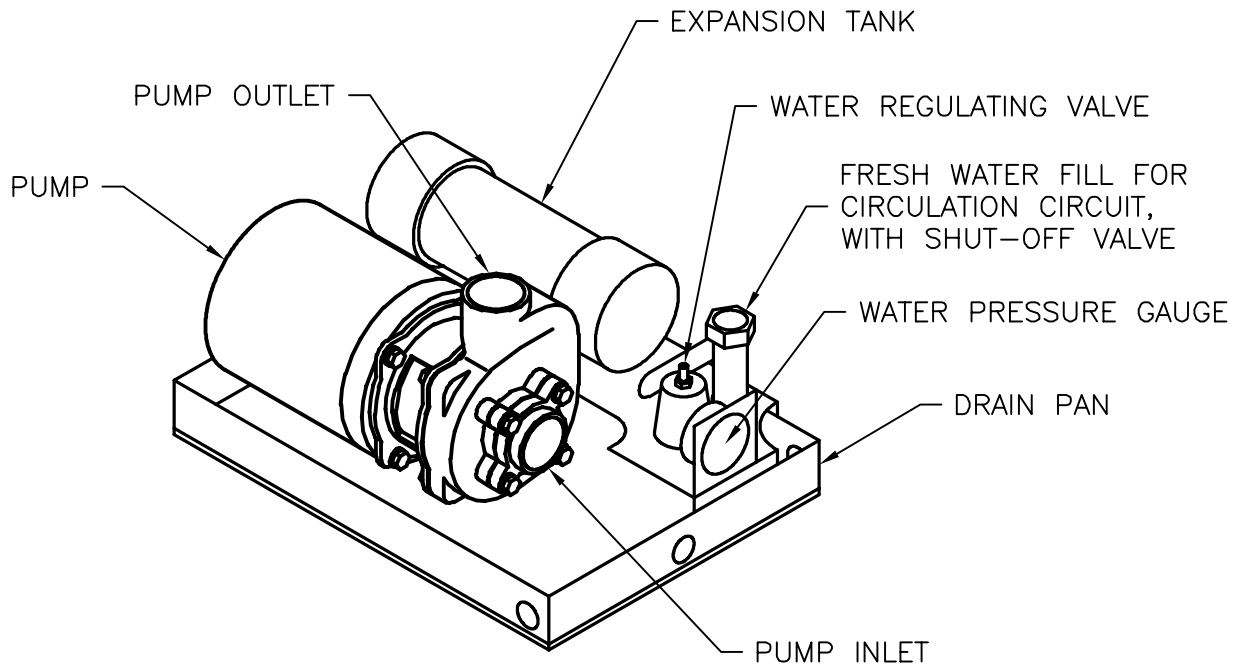


Figure 2.18 Suggested Piping to Air Handlers

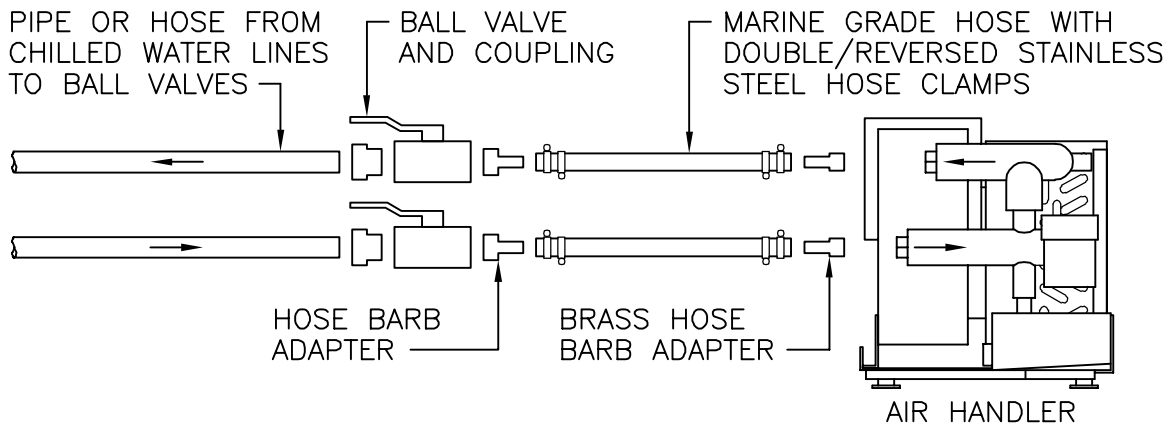


Figure 2.19 Insulated Circulation Circuit Pipe Support

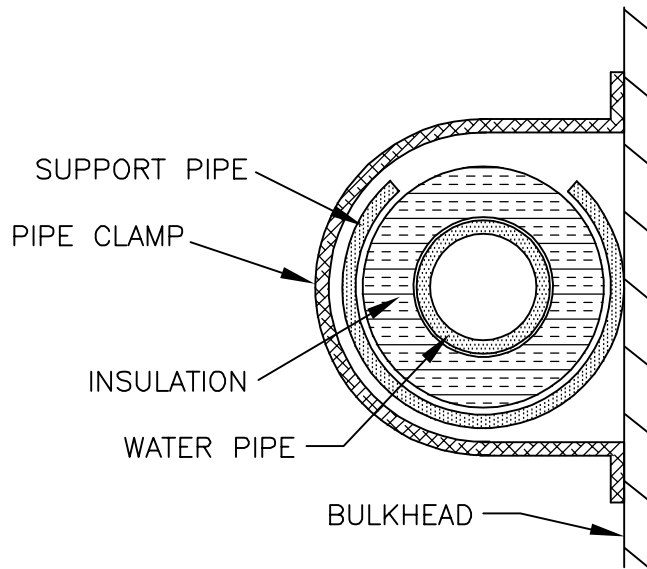


Figure 3.01 DDC – Digital Diagnostic Controller Circuit Board and Switch

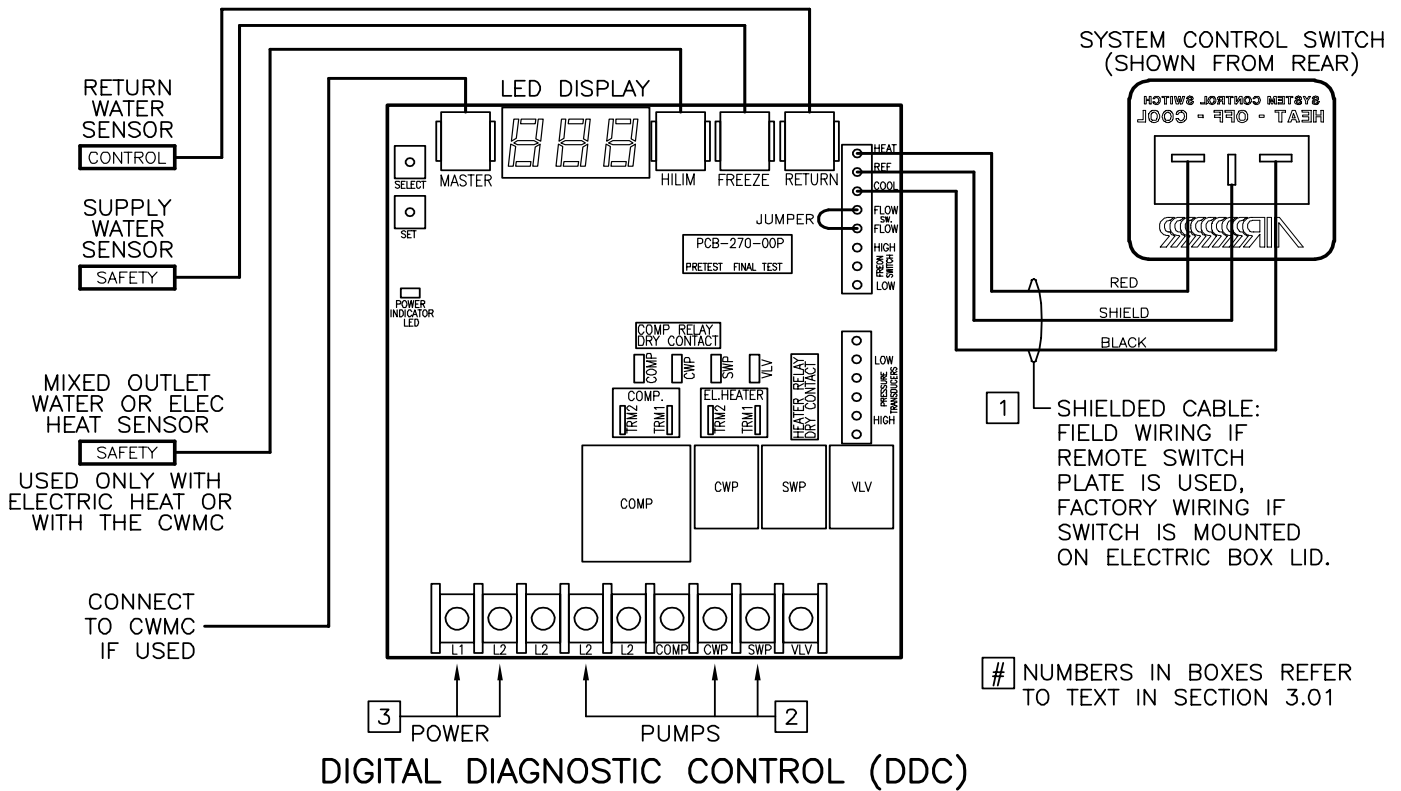


Figure 4.03 Volume Percent Anti-Freeze Concentration Required*

Volume Percent Anti-Freeze Concentration Required*		
	For Freeze Protection	For Burst Protection
Minimum Ambient Temperature (F/C)	Propylene Anti-Freeze	Propylene Anti-Freeze
20/-6.7	18	12
10/-12.2	29	20
0/-18	36	24
-10/-23	42	28
-20/-29	46	30
-30/-34	50	33
-40/-40	54	35
-50/-46	57	35
-60/-51	60	35

*Contact manufacturer to verify that data is consistent with anti-freeze to be used.

Marine Air Worldwide Service Dealer Locator

The majority of the service listings displayed for the United States are key members of the national Marine Air distributor network. If you need service, please contact the closest company shown. In most cases they will direct you to a local dealer or service port. We have over 500 Marine Air dealers in the national Marine Air network, and one should be convenient to you.

The **international** companies listed are, in many cases, distributors and are capable of managing the majority of service requests for the countries listed. In some cases they will refer you to a local dealer.

You may also contact us directly via the web site or call us in the US at (954) 973-2477.

For a complete and up-to-date Dealer locator list, please visit our website at <http://www.marineair.com/locator/index.html>

USA

Alabama

AER Marine Supply

Location: Seabrook, Texas, USA
Phone: (281) 474-3276
Fax: (281) 474-2714
E-mail: rsmiller@aersupply.com
Web: www.aersupply.com

Alaska

American Marine Contractors

Location: Seattle, Washington, USA
Phone: (206) 660-2240
Fax: (206) 548-5008
E-mail: gene@nwmarineair.com

Arizona

Southern California Marine Enterprises

Location: San Diego, California, USA
Phone: 619-224-2869
Fax: 619-226-0496
E-mail: sales@southernmarine.com
Web: www.southernmarine.com

Arkansas

AER Marine Supply

Location: Seabrook, Texas, USA
Phone: (281) 474-3276
Fax: (281) 474-2714
E-mail: rsmiller@aersupply.com
Web: www.aersupply.com

California

Southern California Marine Enterprises

Location: San Diego, California, USA
Phone: 619-224-2869
Fax: 619-226-0496
E-mail: sales@southernmarine.com
Web: www.southernmarine.com

Colorado

AER Marine Supply

Location: Seabrook, Texas, USA
Phone: (281) 474-3276
Fax: (281) 474-2714
E-mail: rsmiller@aersupply.com
Web: www.aersupply.com

Connecticut

Ocean Options

Location: Tiverton, Rhode Island, USA
Phone: (401) 624-7334
Fax: (401) 624-8050
E-mail: Sales@oceanoptions.com
Web: www.oceanoptions.com

Delaware

Ocean Options - Mid Atlantic

Location: Annapolis, Maryland, USA
Phone: (410) 268-9365
Fax: (410) 268-8199
E-mail: Sales@oceanoptions.com
Web: www.oceanoptions.com

Florida

Cruisair Suncoast, Inc.

Location: St. Petersburg, Florida, USA
Phone: 727-526-7875
Fax: 727-528-9519
E-mail: cruisairsuncoast@yahoo.com

Florida (North)

Beard Marine Savannah - Distributor

Location: Savannah, Georgia, USA
Phone: (912) 356-5222
Fax: (912) 692-1006
E-mail: infosavannah@beardmarine.com
Web: www.beardmarine.com

Florida (South)

A A Mabru, Inc. - Dealer

Location: Miami, Florida, USA
Territory: Pompano Beach
Phone: 305-634-8063
Fax: 305-634-0906
E-mail: mabruteam@aol.com
Web: www.mabru.net

ARW/Heinen & Hopman - Dealer

Location: Ft. Lauderdale, Florida, USA
Territory: Fort Lauderdale
Phone: (954) 463-0110
Fax: (954) 522-1139
E-mail: info@arwmaritime.com
Web: www.heinenhopman.com

Beard Marine - Ft. Lauderdale - Dealer

Location: Ft. Lauderdale, Florida, USA
Territory: Fort Lauderdale
Phone: (954) 463-2288
Fax: (954) 527-0362
E-mail: info@beardmarine.com
Web: www.beardmarine.com

Beard Marine of the Palm Beaches - Dealer

Location: Riviera Beach, Florida, USA
Territory: Riviera Beach
Phone: (561) 881-9598
Fax: (561) 881-9599
E-mail: bmpb@beardmarine.com

Cable Marine - Dealer

Location: Ft. Lauderdale, Florida, USA
Territory: Fort Lauderdale
Phone: (954) 462-2840
Fax: (954) 523-3686
Web: www.cablemarine.com

Comfort Marine - Dealer

Location: Ft. Lauderdale, FL, USA
Territory: Ft. Lauderdale
Phone: (954) 257-9848
Fax: (954) 689-7332

Cowherd Marine - Dealer

Location: Lake Park, Florida, USA
Territory: West Palm Beach
Phone: (561) 844-1666
Fax: (561) 844-1628

Florida (South)

Dometic Environmental Corporation, Distributor

Location: Pompano Beach, Florida, USA
Territory: South Florida
Phone: (954) 973-2477
Fax: (954) 979-4414
E-mail: sales@dometicenviro.com
Web: www.dometicenviro.com

Edd Helms Marine Air Conditioning - Dealer

Location: Miami, Florida, USA
Territory: Ft. Lauderdale, Miami
Phone: 954 522 2520
Fax: 954 522 1331
E-mail: srogers@eddhelms.com

IYS Marine - Dealer

Location: Pinellas Park, Florida, USA
Territory: Tampa-St Petersburg
Phone: (727) 521-6650
Fax: (727) 520-0844
E-mail: iysmarine@tampabay.rr.com
Web: www.iysmarine.com

Marine Air Conditioning - Dealer

Location: Ft. Pierce, Florida, USA
Territory: Port St. Lucie
Phone: (772) 464-7896
Fax: (772) 464-8697

Masters Marine Center, Inc. - Dealer

Location: Miami, Florida, USA
Territory: Miami
Phone: (305) 891-1236
Fax: (305) 891-8700

Neptune Air Corporation - Dealer

Location: Ft. Lauderdale, Florida, USA
Territory: Fort Lauderdale
Phone: (954) 792-6550
Fax: (954) 792-6551

Sea Air Land Technologies - Dealer

Location: Marathon, Florida, USA
Territory: Florida Keys
Phone: (305) 289-1150
Fax: (305) 359-5272
E-mail: saltmail@salt-systems.com
Web: www.salt-systems.com

Sea Breeze Marine - Dealer

Location: Lighthouse Point, Florida, USA
Territory: Lighthouse Point
Phone: (954) 427-3843
Fax: (561) 368-0463

Georgia

Beard Marine Savannah - Distributor

Location: Savannah, Georgia, USA
Phone: (912) 356-5222
Fax: (912) 692-1006
E-mail: infosavannah@beardmarine.com
Web: www.beardmarine.com

Hawaii

Southern California Marine Enterprises

Location: San Diego, California, USA
Phone: 619-224-2869
Fax: 619-226-0496
E-mail: sales@southernmarine.com
Web: www.southernmarine.com

Idaho

American Marine Contractors

Location: Seattle, Washington, USA
Phone: (206) 660-2240
Fax: (206) 548-5008
E-mail: gene@nwmarineair.com

Illinois

Midwest Marine Supply

Location: St. Clair Shores, Michigan, USA
Phone: (586) 778-8950
Fax: (586) 778-6108

Indiana

Midwest Marine Supply

Location: St. Clair Shores, Michigan, USA
Phone: (586) 778-8950
Fax: (586) 778-6108

Iowa

Midwest Marine Supply

Location: St. Clair Shores, Michigan, USA
Phone: (586) 778-8950
Fax: (586) 778-6108

Kansas

AER Marine Supply

Location: Seabrook, Texas, USA
Phone: (281) 474-3276
Fax: (281) 474-2714
E-mail: rsmiller@aersupply.com
Web: www.aersupply.com

Kentucky

Midwest Marine Supply

Location: St. Clair Shores, Michigan, USA
Phone: (586) 778-8950
Fax: (586) 778-6108

Louisiana

AER Marine Supply

Location: Seabrook, Texas, USA
Phone: (281) 474-3276
Fax: (281) 474-2714
E-mail: rsmiller@aersupply.com
Web: www.aersupply.com

Maine

Ocean Options

Location: Tiverton, Rhode Island, USA
Phone: (401) 624-7334
Fax: (401) 624-8050
E-mail: Sales@oceanoptions.com
Web: www.oceanoptions.com

Maryland

Ocean Options - Mid Atlantic

Location: Annapolis, Maryland, USA
Phone: (410) 268-9365
Fax: (410) 268-8199
E-mail: Sales@oceanoptions.com
Web: www.oceanoptions.com

Massachusetts

Ocean Options

Location: Tiverton, Rhode Island, USA
Phone: (401) 624-7334
Fax: (401) 624-8050
E-mail: Sales@oceanoptions.com
Web: www.oceanoptions.com

Michigan

Midwest Marine Supply

Location: St. Clair Shores, Michigan, USA
Phone: (586) 778-8950
Fax: (586) 778-6108

Minnesota

Midwest Marine Supply

Location: St. Clair Shores, Michigan, USA
Phone: (586) 778-8950
Fax: (586) 778-6108

Mississippi

AER Marine Supply

Location: Seabrook, Texas, USA
Phone: (281) 474-3276
Fax: (281) 474-2714
E-mail: rsmiller@aersupply.com
Web: www.aersupply.com

Missouri

AER Marine Supply

Location: Seabrook, Texas, USA
Phone: (281) 474-3276
Fax: (281) 474-2714
E-mail: rsmiller@aersupply.com
Web: www.aersupply.com

Montana

American Marine Contractors

Location: Seattle, Washington, USA
Phone: (206) 660-2240
Fax: (206) 548-5008
E-mail: gene@nwmarineair.com

Nevada

AER Marine Supply

Location: Seabrook, Texas, USA
Phone: (281) 474-3276
Fax: (281) 474-2714
E-mail: rsmiller@aersupply.com
Web: www.aersupply.com

New Hampshire

Ocean Options

Location: Tiverton, Rhode Island, USA
Phone: (401) 624-7334
Fax: (401) 624-8050
E-mail: Sales@oceanoptions.com
Web: www.oceanoptions.com

New Jersey

Marine Specialists

Location: Ronkonkoma, New York, USA
Territory: New York, New Jersey
Phone: (631) 580-0545
Fax: (631) 580-0551
E-mail: Sales@marinespecialists.com
Web: www.marinespecialists.com

New Mexico

AER Marine Supply

Location: Seabrook, Texas, USA
Phone: (281) 474-3276
Fax: (281) 474-2714
E-mail: rsmiller@aersupply.com
Web: www.aersupply.com

New York

Marine Specialists

Location: Ronkonkoma, New York, USA
Territory: New York, New Jersey
Phone: (631) 580-0545
Fax: (631) 580-0551
E-mail: Sales@marinespecialists.com
Web: www.marinespecialists.com

North Carolina

Beard Marine Savannah - Distributor

Location: Savannah, Georgia, USA
Phone: (912) 356-5222
Fax: (912) 692-1006
E-mail: infosavannah@beardmarine.com
Web: www.beardmarine.com

North Dakota

Midwest Marine Supply

Location: St. Clair Shores, Michigan, USA
Phone: (586) 778-8950
Fax: (586) 778-6108

Ohio

Midwest Marine Supply

Location: St. Clair Shores, Michigan, USA
Phone: (586) 778-8950
Fax: (586) 778-6108

Oklahoma

AER Marine Supply

Location: Seabrook, Texas, USA
Phone: (281) 474-3276
Fax: (281) 474-2714
E-mail: rsmiller@aersupply.com
Web: www.aersupply.com

Oregon

American Marine Contractors

Location: Seattle, Washington, USA
Phone: (206) 660-2240
Fax: (206) 548-5008
E-mail: gene@nwmarineair.com

Pennsylvania

Ocean Options - Mid Atlantic

Location: Annapolis, Maryland, USA
Phone: (410) 268-9365
Fax: (410) 268-8199
E-mail: Sales@oceanoptions.com
Web: www.oceanoptions.com

Rhode Island

Ocean Options

Location: Tiverton, Rhode Island, USA
Phone: (401) 624-7334
Fax: (401) 624-8050
E-mail: Sales@oceanoptions.com
Web: www.oceanoptions.com

South Carolina

Beard Marine Savannah - Distributor

Location: Savannah, Georgia, USA
Phone: (912) 356-5222
Fax: (912) 692-1006
E-mail: infosavannah@beardmarine.com
Web: www.beardmarine.com

South Dakota

Midwest Marine Supply

Location: St. Clair Shores, Michigan, USA
Phone: (586) 778-8950
Fax: (586) 778-6108

Tennessee

Beard Marine Savannah - Distributor

Location: Savannah, Georgia, USA
Phone: (912) 356-5222
Fax: (912) 692-1006
E-mail: infosavannah@beardmarine.com
Web: www.beardmarine.com

Texas

AER Marine Supply

Location: Seabrook, Texas, USA
Phone: (281) 474-3276
Fax: (281) 474-2714
E-mail: rsmiller@aersupply.com
Web: www.aersupply.com

Utah

AER Marine Supply

Location: Seabrook, Texas, USA
Phone: (281) 474-3276
Fax: (281) 474-2714
E-mail: rsmiller@aersupply.com
Web: www.aersupply.com

Vermont

Ocean Options

Location: Tiverton, Rhode Island, USA
Phone: (401) 624-7334
Fax: (401) 624-8050
E-mail: Sales@oceanoptions.com
Web: www.oceanoptions.com

Virginia

Ocean Options - Mid Atlantic

Location: Annapolis, Maryland, USA
Phone: (410) 268-9365
Fax: (410) 268-8199
E-mail: Sales@oceanoptions.com
Web: www.oceanoptions.com

Washington

American Marine Contractors

Location: Seattle, Washington, USA
Phone: (206) 660-2240
Fax: (206) 548-5008
E-mail: gene@nwmarineair.com

West Virginia

Ocean Options - Mid Atlantic

Location: Annapolis, Maryland, USA
Phone: (410) 268-9365
Fax: (410) 268-8199
E-mail: Sales@oceanoptions.com
Web: www.oceanoptions.com

Wisconsin

Midwest Marine Supply

Location: St. Clair Shores, Michigan, USA
Phone: (586) 778-8950
Fax: (586) 778-6108

Wyoming

American Marine Contractors

Location: Seattle, Washington, USA
Phone: (206) 660-2240
Fax: (206) 548-5008
E-mail: gene@nwmarineair.com

Antigua

Aboard Refrigeration

Location: , Antigua, West Indies
Phone: (268) 460-1690
Fax: (419) 858-0544
E-mail: aboardrf@candw.aq
Web: www.aboardrefrigeration.com

Argentina

Baron SRL

Location: San Fernando, Buenos Aires, Argentina
Phone: (54) 11-4-580-5556
Fax: (54) 11-4-746-1696
E-mail: rosito@baron.com.ar
Web: www.baron.com.ar

Australia

Seairland Systems, Inc.

Location: Brisbane, Queensland, Australia
Phone: (61) 7-3268-7511
Fax: (61) 7-3268-1445
E-mail: hadyn@seairland.com.au

Austria

Dometic Marine – Italy, Sales Company

Location: Milano, Italy
Phone: 39 0362 44182
Fax: 39 0362 452226
E-mail: marine.info@dometic.it
Web: www.dometic.com

Bahamas

Freezing Point, Ltd.

Location: Nassau, Bahamas
Territory: Nassau
Phone: (242) 325-3589
Fax: (242) 356-5271
E-mail: rolandknowles@bahamas.net.bs

Bahrain

International Agencies Co.

Location: Manama, Bahrain
Phone: 973-17728691
Fax: 973-17728412

Mantech

Location: Dubai, United Arab Emirates
Phone: (971) 4-3332-542
Fax: (971) 4-3330-649
E-mail: mqe@emirates.net.ae

Brazil

Marine Express

Location: Sao Paulo, Brazil
Phone: 55-11-5182-7166
Fax: 55-11-5183-3636
E-mail: fabrizio@marineexpress.com.br
Web: www.marineexpress.com.br

British Virgin Islands

BVI Marine Management

Location: Roadtown, Tortola, British Virgin Islands
Phone: (284) 494-2938
Fax: (284) 494-5006

C & G Refrigeration

Location: , Tortola, British Virgin Islands
Phone: (284) 776-0038

Parts And Power

Location: Tortola, British Virgin Islands
Phone: 284-494-2830
Fax: 284-494-1584
E-mail: info@partsandpower.com
Web: www.partsandpower.com

Canada

British Columbia

American Marine Contractors

Location: Seattle, Washington, USA
Phone: (206) 660-2240
Fax: (206) 548-5008
E-mail: gene@nwmarineair.com

Ontario

Northland Supply Company

Location: Queensville, Ontario, Canada
Territory: Queensville
Phone: (905) 478-2244
Fax: (905) 478-2295
E-mail: norsupco@aol.com
Web: www.norsupco.com

Woodard and Company - Manufacturer's Rep.

Location: Concord, Ontario, Canada
Territory: All Canadian Provinces except BC
Phone: (905)760-0245
Fax: (905)760-0250
E-mail: john.reid@woodardcompany.com

Quebec

Kimpex, Inc.

Location: Drummondville, Quebec, Canada
Territory: Drummondville, Quebec
Phone: (705) 721-0947
Fax: (705) 721-1704
E-mail: scott.pipher@kpx-kimpex.com
Web: http://www.kpx-kimpex.com

Caribbean Islands

Aboard Refrigeration

Location: , Antigua, West Indies
Phone: (268) 460-1690
Fax: (419) 858-0544
E-mail: aboardrf@candw.aq
Web: www.aboardrefrigeration.com

BVI Marine Management

Location: Roadtown, Tortola, British Virgin Islands
Phone: (284) 494-2938
Fax: (284) 494-5006

C & G Refrigeration

Location: , Tortola, British Virgin Islands
Phone: (284) 776-0038

Caraipe Greemant

Location: Le Marin, Martinique, French West Indies
Phone: 596 596 74 80 33
E-mail: cqmar@wanadoo.fr

Centro Cruisair de Puerto Rico

Location: San Turce, Puerto Rico
Phone: 787-727-3637
Fax: 787-727-3637
E-mail: fernan_moreno@hotmail.com

Cool-Tech Air Condition

Location: Fajardo, Puerto Rico
Phone: (787) 860-2615
Fax: (787) 801-2050
E-mail: cooltech@isppr.com
Web: www.isppr.net/cooltech

Enertech N.V.

Location: Simpson Bay, St. Maarten/St. Martin, Netherlands Antilles
Phone: 599-551-2145
Fax: 305-675-5857 (USA)
E-mail: service@enertechnv.com
Web: www.enertechnv.com

Freezing Point, Ltd.

Location: Nassau, Bahamas
Territory: Nassau
Phone: (242) 325-3589
Fax: (242) 356-5271
E-mail: rolandknowles@bahamas.net.bs

Frostline

Location: Cole Bay, St. Maarten/St. Martin, Netherlands Antilles
Phone: 599 522 9610 (Technical)
Fax: 599 544 3263
E-mail: paul@frostline.biz (technical); glyn@frostline.biz

May Day Marine

Location: San Juan, Puerto Rico
Phone: 787-637-0756
Fax: 787-790-2551

Nau-T-Kol Marine Refrigeration

Location: Chaguaramas, Trinidad
Phone: 868-634-2174
Fax: 868-634-2174
E-mail: nautkol@cablenet.net
Web: www.nautkol.com

Reefco, Inc.

Location: , St. Thomas, US Virgin Islands
Phone: (340) 776-0038
Fax: (340) 776-0038
E-mail: dennedy@viaccess.net
Web: www.reefco.net

Regis Electronics (St Lucia) LTD.

Location: St. Lucia, West Indies
Phone: 758-452-0205
Fax: 758-452-0206
E-mail: stlucia@regiselectronics.com

Sun Cool Air Conditioning

Location: Carolina, Puerto Rico, Puerto Rico
Territory: Carolin
Phone: (787) 791-6971
Fax: (787) 791-3885
E-mail: suncool1@coqui.net

China

Flash Marine Trading Pte.Ltd.

Location: Shanghai, China
Phone: (86 21) 509 04120
Fax: (86 21) 509 04789
E-mail: fntmasb@online.sh.cn

Costa Rica

Gato Frio

Location: Playa Jaco, Costa Rica
Territory: Costa Rica, Panama
Phone: 506-637-7181
Fax: 506-637-7180
E-mail: eric@vachtshare.net

Croatia

Dometic Marine – Italy, Sales Company

Location: Milano, Italy
Phone: 39 0362 44182
Fax: 39 0362 452226
E-mail: marine.info@dometic.it
Web: www.dometic.com

Cyprus

Dometic Marine - United Kingdom, Sales Company

Location: Poole, Dorset, England
Phone: 44 870 3306101
Fax: 44 870 3306102
E-mail: sales@dometicmarine.com
Web: www.dometic.com

Dominican Republic

May Day Marine

Location: San Juan, Puerto Rico
Phone: 787-637-0756
Fax: 787-790-2551

Ecuador

Quasar Nautica, S.A.

Location: P.O. Box 17-01-0069, Quito, Ecuador
Phone: (593) 2-446-996/997
Fax: (593) 2-436-625

Egypt

Engineering Air

Location: Abasia, Cairo, Egypt
Phone: 202 4829341
Fax: 202 4829341

France

Dometic Marine – France, Sales Company

Location: Plailly, France
Phone: Cell: 0033 (0)680 415 543
Fax: 0033 (0)344 633 518
E-mail: marine.sales@dometic.fr
Web: www.dometic.com

PolyMarine Distribution (C/O Occas Marine)

Location: Le Cannet, Rocheville, France
Phone: 0033 493463634
Fax: 0033 493463634
E-mail: polymarine.bayle@free.fr

French West Indies

Caraipe Greemant

Location: Le Marin, Martinique, French West Indies
Phone: 596 596 74 80 33
E-mail: cgmar@wanadoo.fr

Greece

Dometic Marine - United Kingdom, Sales Company

Location: Poole, Dorset, England
Phone: 44 870 3306101
Fax: 44 870 3306102
E-mail: sales@dometicmarine.com
Web: www.dometic.com

Athens

Aegean Diesel Electric Ltd.

Location: Athens, Piraeus, Greece
Territory: Athens
Phone: 0030-1-4222484
Fax: 0030-1-4175201
E-mail: info@ade-marine.gr

Hong Kong

Piercey Marine Limited

Location: Sai Kung, NT, Hong Kong
Phone: (852) 2791-4106
Fax: (852) 2791-4124
E-mail: pmltd@attglobal.net

Italy

Condaria 87 SRL

Location: Nova Milanese (MI), Italy
Phone: 39 0362 44182
Fax: 39 0362 452226

Dometic Marine – Italy, Sales Company

Location: Milano, Italy
Phone: 39 0362 44182
Fax: 39 0362 452226
E-mail: marine.info@dometic.it
Web: www.dometic.com

Japan

Tominaga & Company, Ltd.

Location: Osaka, Japan
Phone: 816.6365.5010
Fax: 816.6365.6294
E-mail: nishi@mail.tomco.co.jp

Kuwait

Mantech

Location: Dubai, United Arab Emirates
Phone: (971) 4-3332-542
Fax: (971) 4-3330-649
E-mail: mqe@emirates.net.ae

Sammari Marine Trading

Location: Al-Shawikh, Kuwait
Phone: 965-5740408
Fax: 965-5715655

Malta

Dometic Marine - United Kingdom, Sales Company

Location: Poole, Dorset, England
Phone: 44 870 3306101
Fax: 44 870 3306102
E-mail: sales@dometicmarine.com
Web: www.dometic.com

Inmartech Ltd.

Location: Swieqi, STJ 04, Malta
Phone: 00356 21376476
Fax: 00356 21376476
E-mail: inmartech@waldonet.net.mt

Mexico

Southern California Marine Enterprises

Location: San Diego, California, USA
Phone: 619-224-2869
Fax: 619-226-0496
E-mail: sales@southernmarine.com
Web: www.southernmarine.com

Netherlands

Eberca

Location: , Netherlands
Phone: 31 1866 21955
Fax: 31 1866 21818
E-mail: info@eberca.nl

Heinen & Hopman Eng. Bv.

Location: Spakenburg, Netherlands
Phone: (31) (0) 33 2992500
Fax: (31) (0) 33 299 2599
E-mail: info@heinenhopman.com
Web: www.heinenhopman.com

Netherlands Antilles

Enertech N.V.

Location: Simpson Bay, St. Maarten/St. Martin, Netherlands Antilles
Phone: 599-551-2145
Fax: 305-675-5857 (USA)
E-mail: service@entertech.com
Web: www.enertech.com

Frostline

Location: Cole Bay, St. Maarten/St. Martin, Netherlands Antilles
Phone: 599 522 9610 (Technical)
Fax: 599 544 3263
E-mail: paul@frostline.biz (technical): qlyn@frostline.biz

New Zealand

Whiting Power Systems

Location: 192 Herne Bay, Auckland, New Zealand
Phone: 649.358.2050
Fax: 649.358.0285
E-mail: sales@whiting.co.nz
Web: www.whiting.co.nz

Oman

Mantech

Location: Dubai, United Arab Emirates
Phone: (971) 4-3332-542
Fax: (971) 4-3330-649
E-mail: mqe@emirates.net.ae

OHI Marine LLC

Location: Muscat, Oman
Phone: 968-712240
Fax: 968-712085

Panama

Gato Frío

Location: Playa Jaco, Costa Rica
Territory: Costa Rica, Panama
Phone: 506-637-7181
Fax: 506-637-7180
E-mail: eric@yachtshare.net

Productos Marine Air

Location: La Chorrera, Panama
Territory: Panama
Phone: 507-232-5406
Fax: 507-232-7648
E-mail: masters@sinfo.net

Peru

Corporación Frío Novo SAC

Location: Lima (La Molina), Peru
Phone: (511) 451-5052
E-mail: frionovo@infonegocio.net.pe

Portugal

PowerCool LDA

Location: Portimao, Portugal
Territory: Portugal
Phone: 351 91 786 63 73
Fax: 351 282 461 818
E-mail: info@powercool.org
Web: www.powercool.org

Puerto Rico

Centro Cruisair de Puerto Rico

Location: San Turce, Puerto Rico
Phone: 787-727-3637
Fax: 787-727-3637
E-mail: fernan.moreno@hotmail.com

Cool-Tech Air Condition

Location: Fajardo, Puerto Rico
Phone: (787) 860-2615
Fax: (787) 801-2050
E-mail: cooltech@isprr.com
Web: www.isppr.net/cooltech

May Day Marine

Location: San Juan, Puerto Rico
Phone: 787-637-0756
Fax: 787-790-2551

Sun Cool Air Conditioning

Location: Carolina, Puerto Rico, Puerto Rico
Territory: Carolina
Phone: (787) 791-6971
Fax: (787) 791-3885
E-mail: suncool1@coqui.net

Qatar

Al-Badi Trading Co.

Location: Doha, Qatar
Phone: 974-4320715
Fax: 974-4442888

Mantech

Location: Dubai, United Arab Emirates
Phone: (971) 4-3332-542
Fax: (971) 4-3330-649
E-mail: mqe@emirates.net.ae

Russia

Standarte

Location: Starbeevo, Moscow region, Russia
Phone: 7 095 575 67 23
Fax: 7 095 575 39 77
E-mail: info@standarte.ru
Web: www.standarte.ru

Saudi Arabia

Mantech

Location: Dubai, United Arab Emirates
Phone: (971) 4-3332-542
Fax: (971) 4-3330-649
E-mail: mqe@emirates.net.ae

Samaco Marine Division

Location: Alnahdah dis Jeddah, Saudi Arabia
Territory: Saudi Arabia
Phone: (966) 2-699-2300
Fax: (966) 2-699-1024

Scandinavia

Dometic Marine – Nordic Sales, Sales Company

Location: Halmstad, Sweden
Phone: 46 35165700
Fax: 46 35165710
E-mail: marine.info@dometic.se
Web: www.dometic.com

Singapore

Tripower Corporation Pte Ltd

Location: , Singapore
Phone: (65) 6861 1188
Fax: (65) 6861 4263
E-mail: mgt@tripower.com.sg
Web: www.tritex.com.sg

Slovenia

Dometic Marine – Italy, Sales Company

Location: Milano, Italy
Phone: 39 0362 44182
Fax: 39 0362 452226
E-mail: marine.info@dometic.it
Web: www.dometic.com

South Africa

C-Dynamics cc

Location: Cape Town, South Africa
Phone: 27 21 555 3232
Fax: 27 21 555 3230
E-mail: info@c-dynamics.co.za
Web: www.c-dynamics.co.za

Spain

Acastimar

Location: Tarragona, Spain
Phone: 349-77-362118
Fax: 349-77-362687
E-mail: acastimar@acastimar.com

Dometic Marine – France, Sales Company

Location: Plailly, France
Phone: Cell: 0033 (0)680 415 543
Fax: 0033 (0)344 633 518
E-mail: marine.sales@dometic.fr
Web: www.dometic.com

Techno Electronica Naval, S.A.

Location: Barcelona, Spain
Phone: 34 (93) 664-49-70
Fax: 34 (93) 665-76-26
E-mail: ten@ten-sa.com
Web: www.ten-sa.com

Sri Lanka

G&M Enterprises

Location: Borella-Colombo 8, Sri Lanka
Phone: 94 11 2691966
Fax: 94 11 2691751
E-mail: qandM@sltnet.lk

Sweden

Dometic Marine – Nordic Sales, Sales Company

Location: Halmstad, Sweden
Phone: 46 35165700
Fax: 46 35165710
E-mail: marine.info@dometic.se
Web: www.dometic.com

Taiwan

Kaohsiung

Mercury Marine Supply Co.

Location: Kaohsiung, 812, Taiwan
Territory: Taiwan
Phone: (886) 7-8133233
Fax: (886) 7-8133236
E-mail: mms46654@ms16.hinet.net

Thailand

Thai Kolon Co. Ltd.

Location: Bangkok, Thailand
Phone: 66-2-745-6468-77 (10 lines)
Fax: 66-2-745-6152
E-mail: thaikolon@thaikolon.com

Trinidad

Nau-T-Kol Marine Refrigeration

Location: Chaguaramas, Trinidad
Phone: 868-634-2174
Fax: 868-634-2174
E-mail: nautkol@cablenett.net
Web: www.nautkol.com

Turkey

Dometic Marine - United Kingdom, Sales Company

Location: Poole, Dorset, England
Phone: 44 870 3306101
Fax: 44 870 3306102
E-mail: sales@dometicmarine.com
Web: www.dometic.com

Egemar Muhendiscik Ltd.

Location: Tuzla, Istanbul, Turkey
Phone: 90 216 494 2168
Fax: 90 216 494 2218
E-mail: sales@egemar.com.tr
Web: www.egemar.com.tr

U.S. Virgin Islands

Reefco, Inc.

Location: , St. Thomas, US Virgin Islands
Phone: (340) 776-0038
Fax: (340) 776-0038
E-mail: dennvedy@viaccess.net
Web: www.reefco.net

Ukraine

Standarte

Location: Starbeevo, Moscow region, Russia
Phone: 7 095 575 67 23
Fax: 7 095 575 39 77
E-mail: info@standarte.ru
Web: www.standarte.ru

United Arab Emirates

Mantech

Location: Dubai, United Arab Emirates
Phone: (971) 4-3332-542
Fax: (971) 4-3330-649
E-mail: mqe@emirates.net.ae

United Kingdom

Dometic Marine - United Kingdom, Sales Company

Location: Poole, Dorset, England
Phone: 44 870 3306101
Fax: 44 870 3306102
E-mail: sales@dometicmarine.com
Web: www.dometic.com

Uruguay

Baron SRL

Location: San Fernando, Buenos Aires, Argentina
Phone: (54) 11-4-580-5556
Fax: (54) 11-4-746-1696
E-mail: rosito@baron.com.ar
Web: www.baron.com.ar

Venezuela

Rich Marine Center

Location: Complejo Turistico El Morro, Venezuela, South America
Phone: (58) 281 2181630
Fax: (58) 281-2811630
E-mail: richmarine@telcel.net.ve
Web: www.tuyate.net

West Indies

Aboard Refrigeration

Location: , Antigua, West Indies
Phone: (268) 460-1690
Fax: (419) 858-0544
E-mail: aboardrf@candw.aq
Web: www.aboardrefrigeration.com

Regis Electronics (St Lucia) LTD.

Location: St. Lucia, West Indies
Phone: 758-452-0205
Fax: 758-452-0206
E-mail: stlucia@regiselectronics.com

Yemen

Mantech

Location: Dubai, United Arab Emirates
Phone: (971) 4-3332-542
Fax: (971) 4-3330-649
E-mail: mqe@emirates.net.ae



Dometic Environmental Corporation

2000 North Andrews Avenue Ext. • Pompano Beach • FL 33069-1497 USA

Phone: 954-973-2477 • Fax: 954-979-4414

For Sales and Service Calls within Europe and the Middle East, please contact +44 (0) 870 330 6101

Web: www.marineair.com • Email: sales@marineair.com

