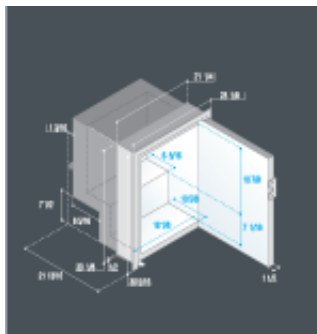




AC stainless steel refrigerators and freezers > internal cooling units > C115iX - C115iXAC



Flush flange (standard)



Also available as refrigerator only

Model

C115iX - C115iXAC

Volume

Refrigerator compartment (Cu Ft)

4.2

Freezer compartment (Cu Ft)

0.6

Freezer internal size

Height (Inches)

4.7

Width (Inches)

16.5

Depth (Inches)

13.4

Weight

Lbs

64.8

Technical features (dc)

Power Voltage (V)

12/24

Power consumption (W)

45

Current consumption 12Vdc (A)

3.78

Technical features (ac)

Power Voltage (V)

100-240 - 50/60 Hz

Power consumption (W)

45

Current consumption 1115Vac (A)

0.57

Internal cooling unit

•

External cooling unit

Standard - optional

Interchangeable door

standard

Magnetic closure

standard

Internal light

standard

Door finish

Stainless steel

standard

Opening type

Front opening

•

Top loading

Mounting options

Flush flange

standard

Surface flange

bottom trim piece

optional

* Crisper bin is a standard part

Vitrifigo America LLC - 2200 NW 32 ST. Suite 1200 - Pompano Beach, FL 33069 United States - by [creso](#)