

RushFlush™ Toilet System

Dual High-Velocity Water Jets With Plug & Play Installation



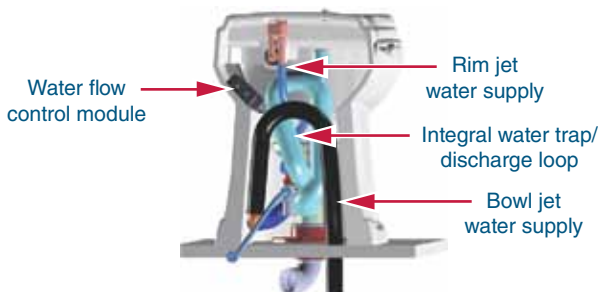
For offshore vessels that accommodate high-flow toilet systems, RushFlush™ marine toilet technology delivers unmatched power, resource efficiency, and ease of installation when compared to similar toilet systems.

The energetic RushFlush power begins with two hyper-pressurized water lines that converge at the bowl – through the high-capacity upper rim for a thorough bowl-clearing rinse every time, and a simultaneously charged water jet at the bottom of the bowl that macerates effluent and drives it to the discharge plumbing. This patent-pending design offers adjustable flush duration programming to meet individual water efficiency requirements.

In this “next-generation” of pressure-jet flushing technology, SeaLand has built unprecedented plug & play installation convenience. With a pre-assembled integral trapway and discharge loop, the RushFlush toilet installs in 50-75% less time than similar versions. It also requires less water per flush, with a standard flush using only 2-1/8 gallons (8.04 L) of fresh water. A water flow control module allows further adjustment by the installer if desired.

RushFlush toilets feature the popular SeaLand all-ceramic fixture used in thousands of specialty bathroom applications – a full-size, residential-style toilet with a large, deep bowl and elongated seat for premium comfort. User-friendly options include a choice of flush handle or an electric switch, and the standard-height toilet series is available in SeaLand’s famous white and bone colors.

Safety systems include a ¾-full-tank option with an indicator light, and a full-tank shutdown option to prevent overflow of the holding tank.



Key Benefits

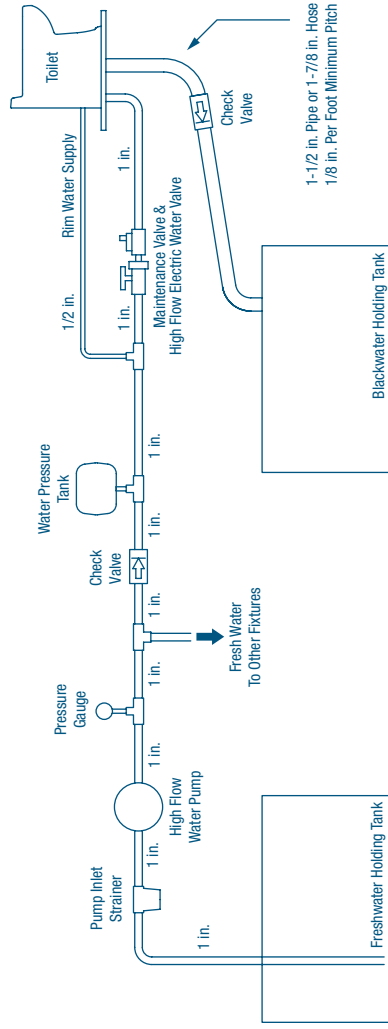
- Dual high-velocity water jets clear the bowl, macerate waste, and propel effluent to the holding tank
- Easy, fast, plug & play toilet installation
- Elongated, comfortable seat and deep bowl
- Uses electric flush handle or wall switch
- Freshwater, odor-free flushing
- No mechanical waste-macerating system needed
- 3/4 full-tank warning indicator option
- Full-tank shutdown option prevents overflow

Technical Specifications for RushFlush™ Toilets System

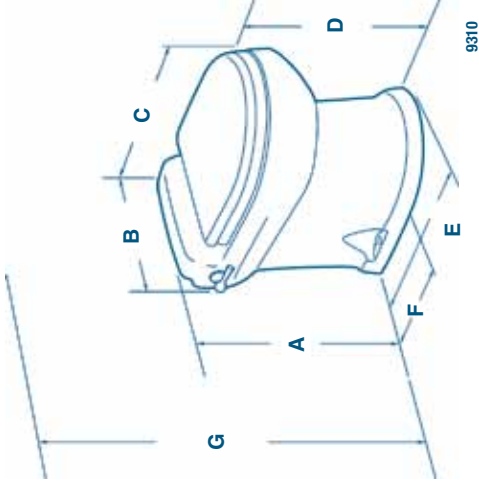
MODEL	ALL RUSHFLUSH MODELS
Power Draw	1.2 Amps @ 12V DC 0.6 Amps @ 24V DC
Circuit Breaker/Fuse Recommended	2 Amps @ 12V DC 1 Amps @ 24V DC
Upper Rim Water Supply	0.5 in. NPT mist, water valve
Lower Bowl Jet Water Supply	1 in. NPT inlet, water valve
Water Flow Rate	15 gpm/57 lpm @ 30-50 PSI/207-345 kPa
Discharge (inside Diameter)	1.5 in./38 mm pipe or 1.875 in./47 mm hose
Horizontal Run Discharge ¹⁾	Gravity Drain
REQUIRED COMPONENTS	ALL RUSHFLUSH MODELS
Water Pump ²⁾	15 gpm/57 lpm
Portable Water Pressure Tank ³⁾	150 PSI rating, maximum
Electric Flush Switch	Dometic
DIMENSIONS (IN/MM) ³⁾	9310
A	19.0/483
B	16.5/419
C	21.5/546
D	17.5/445 (Seat Height)
E	17.0/432
F	11.0/279 (Centerline Rough-in)
G	33.5/851 (Seat Lid Up)

¹⁾ Horizontal discharge plumbing must drop 0.125 in. (3 mm) for every 1 ft. (30.5 cm) of horizontal run.
²⁾ Purchased separately. The water pump may be part of the vessel's potable water system.
³⁾ Dimensions correspond to the dimensions drawings. All dimensions ± 0.375 in. (10 mm).

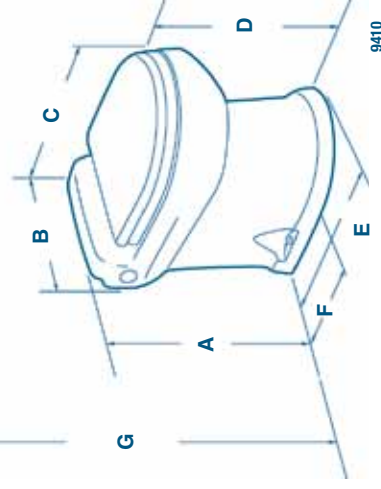
RushFlush Plumbing Diagram



Dimensions



9310



9410

DOMETIC GROUP, MARINE DIVISION
 2000 N. Andrews Ave. Ext. | Pompano Beach, FL 33069 USA
 Tel. 954-973-2477 | Fax 954-979-4414
 www.DometicUSA.com | MarineSales@DometicUSA.com

TECHNICAL SUPPORT FOR UNITED STATES & CANADA
 8:00 AM to 5:00 PM Eastern Time: 800-321-9886

INTERNATIONAL SALES & SERVICE

Europe & Middle East: +44(0)870-330-6101 | All other areas find the nearest distributor at www.dometic.com/marinedealers

L-2935 Rev. 20111125

Specifications and availability subject to change without notice.

Dealer:

