



by Dometic GROUP

# Replacement Parts Guide



• Product Listing	Pages 3 - 10
• Numeric Item Number List with Retail Prices	Pages 11 - 32
• Parts Lists, Portable Toilet Models 960 to 970	Pages 33 - 34
• Parts Lists, Gravity Toilet Models 110 to 4410	Pages 35 - 52
• Parts Lists, Macerator Toilet Models 8100 to 8900	Pages 53 - 61
• Parts Lists, RushFlush Toilet Models 9300 to 9400	Pages 62 - 63
• Parts Lists, VacuFlush Toilet Models 140 to 5149	Pages 64 - 99
• Parts Lists, Vacuum Sources	Pages 100-110
• Parts Lists, Vacuum Pumps	Pages 111-112
• Parts Lists, Vacuum Holding Tank Systems	Pages 113-124
• Parts Lists, Holding Tank Systems	Pages 125-129
• Parts Lists, Holding Tank Accessories	Pages 130-132

## Dometic Corporation, Sanitation Division

13128 State Route 226  
Big Prairie, OH 44611 USA  
Phone: 800 321 9886  
Fax: 330 496 3097

**Retail Prices Effective**  
**January 1, 2013 through December 31, 2013**



**Portable Toilets ▼ Dometic**


	Model	Description	Item	Product	Page
<b>960 Toilet Series •</b>					
	962	TOILET PRTBL 962-PARCH	301096202	958042515	33
		TOILET PRTBL 962-PLAT	301096206	958042516	
	964	TOILET PRTBL 964-PARCHMENT	311096402	958041347	
		TOILET PRTBL 964-PLATINUM	311096406	958041348	
	964 MSD	TOILET PRTBL 964MSD-PARCHMENT	311196402	958041351	
		TOILET PRTBL 964MSD-PLATINUM	311196406	958041352	
	966	TOILET PRTBL 966-PARCH	301096602	958042517	
		TOILET PRTBL 966-PLAT	301096606	958042518	
	965	TOILET PRTBL 965-PARCHMENT	311096502	958041349	
		TOILET PRTBL 965-PLATINUM	311096506	958041350	
965 MSD	TOILET PRTBL 965MSD-PARCHMENT	311196502	958041353		
	TOILET PRTBL 965MSD-PLATINUM	311196506	958042427		
<b>970 Toilet Series •</b>					
	972	TOILET PRTBL 972 - TAN	301097202	958042373	34
		TOILET PRTBL 972 - GRAY	301097206	958042374	
	974	TOILET PRTBL 974-TAN	301097402	958042272	
		TOILET PRTBL 974-GRAY	301097406	958042273	
	974 MSD	TOILET PRTBL 974MSD-TAN	301197402	958042276	
		TOILET PRTBL 974MSD-GRAY	301197406	958042277	
	976	TOILET PRTBL 976 - TAN	301097602	958042375	
		TOILET PRTBL 976GR 076-3057-8	301097606	958042376	
	975	TOILET PRTBL 975-TAN	301097502	958042274	
		TOILET PRTBL 975-GRAY	301097506	958042275	
975 MSD	TOILET PRTBL 975MSD-TAN	301197502	958042278		
	TOILET PRTBL 975MSD-GRAY	301197506	958042279		
<b>Gravity Toilets ▼ SeaLand</b>					
<b>100 Toilet Series •</b>					
	110	TRAVELER LITE 110 - WHITE(NP)	302611001	958041176	35
		TRAVELER LITE 110 - BONE(NP)	302611003	958041177	
	111	TRAVELER LITE 111 - WHITE	302611101	958041180	36
		TRAVELER LITE 111 - BONE	302611103	958041181	
<b>200 Toilet Series •</b>					
	210	TRAVELER LITE 210-WHITE	302621001	958041184	37
		TRAVELER LITE 210-BONE	302621003	958041185	
<b>300 Toilet Series •</b>					
	300	300-SS /RT/WHITE	302300071	958043195	38
		300-SS /RT/BONE	302300073	958043196	
<b>310 Toilet Series •</b>					
	310	310-SS /RT/WHITE	302310071	958043061	39
		310-SS /RT/BONE	302310073	958043062	
<b>320 Toilet Series •</b>					
	320	320-WS /RT/WHITE	302320081	958043150	40
		320-WS /RT/BONE	302320083	958043151	

**Gravity Toilets ▼ SeaLand**


	Model	Description	Item	Product	Page
<b>500 Toilet Series •</b>					
	510H	510H-WS /RT/WHITE	302510481	958043085	41
		510H-WS /RT/BONE	302510483	958043086	
	510+	TRAVELER 510+- WHITE	302651001	958041195	42
		TRAVELER 510+- BONE	302651003	958041196	
	510+PS	510+PS-WS /SP/WHITE	302510221	958042852	43
		510+PS-WS /SP/BONE	302510223	958042853	
	511H	TRAVELER 511H- WHITE	302651101	958041203	44
		TRAVELER 511H- BONE	302651103	958041204	
<b>700 Toilet Series •</b>					
	711-M28	TRAVELER M28-711-WHITE	312371101	958042130	45
		TRAVELER M28-711-BONE	312371103	958042468	
<b>2000 Toilet Series • <i>Obsolete</i></b>					
	2010	TRAVELER 210 - WHITE	302421001	958041120	46
		TRAVELER 210 - BONE	302421003	958041121	
	2011	TRAVELER 211 - WHITE	302421101	958041125	47
		TRAVELER 211 - BONE	302421103	958041126	
<b>3000 Toilet Series • <i>Obsolete</i></b>					
	3110	MAGNUM OPUS 3110 - WHITE	302311011		48
		MAGNUM OPUS 3110 - BONE	302311013	958041062	
	3210	CONCERTO 3210 - WHITE	302132061	958041030	49
		CONCERTO 3210 - BONE	302132063	958041031	
	3310	CONCERTO 3310 FL - WHITE	302133061	958041038	50
		CONCERTO 3310 FL - BONE	302133063	958041039	
<b>4300/4400 Toilet Series •</b>					
	4310	4310-GT/12/WS/-/SP/WHT/CHR	302431111	958043019	51
		4310-GT/12/WS/-/SP/BONE/CHR	302431131	958043020	
	4410	4410-GT/12/WS/-/SP/WHT	302441110	958043007	52
		4410-GT/12/WS/-/SP/BONE	302441130	958043008	
<b>Macerator Toilets ▼ MasterFlush</b>					
<b>8100 Toilet Series •</b>					
	8112	8112-WS/S-/15T-/12/SW/--/SP/WH	304811201	958042913	53
	8116	8116-WS/S-/15T-/24/SW/--/SP/WH	304811601	958042914	
	8152	8152-WS/T-/15T-/12/SW/--/SP/WH	304815201	958042915	
	8156	8156-WS/T-/15T-/24/SW/--/SP/WH	304815601	958042916	
<b>8600 Toilet Series • (same as 8900 toilet series but with a flat-back style)</b>					
	8639	8639-SC/S-/15TA/12/SW/--/SP/WH	304863901	958043068	54
		8639-SC/S-/15TA/12/SW/--/SP/BN	304863902	958043069	
	8630	8630-SC/S-/15TA/24/SW/--/SP/WH	304863001	958043066	54
		8630-SC/S-/15TA/24/SW/--/SP/BN	304863002	958043067	
	8679	8679-SC/T-/15TA/12/SW/--/SP/WH	304867901	958043072	55
		8679-SC/T-/15TA/12/SW/--/SP/BN	304867902	958043073	
	8670	8670-SC/T-/15TA/24/SW/--/SP/WH	304867001	958043070	55
		8670-SC/T-/15TA/24/SW/--/SP/BN	304867002	958043071	




**Macerator Toilets ▼ MasterFlush**

	Model	Description	Item	Product	Page
<b>8700 Toilet Series •</b>					
	8759	8759-WS/T-/15TA/12/SW/--/SP/WH	304875901	958042980	56
		8759-WS/T-/15TA/12/SW/--/SP/BN	304875902	958042972	
	8750	8750-WS/T-/15TA/24/SW/--/SP/WH	304875001	958042979	
		8750-WS/T-/15TA/24/SW/--/SP/BN	304875002	958042974	
	8759	8759-WS/T-/15TA/12/FH/CH/SP/WH	304875971	958042981	57
		8759-WS/T-/15TA/12/FH/CH/SP/BN	304875972	958042971	
8750		8750-WS/T-/15TA/24/FH/CH/SP/WH	304875071	958042986	
		8750-WS/T-/15TA/24/FH/CH/SP/BN	304875072	958042975	


**8900 Toilet Series • (angle-back style)**

	8939	8939-SC/S-/15TA/12/SW/--/SP/WH	304893901	958042963	58
		8939-SC/S-/15TA/12/SW/--/SP/BN	304893902	958042965	
	8930	8930-SC/S-/15TA/24/SW/--/SP/WH	304893001	958042964	
		8930-SC/S-/15TA/24/SW/--/SP/BN	304893002	958042966	
	8979	8979-SC/T-/15TA/12/SW/--/SP/WH	304897901	958042967	59
		8979-SC/T-/15TA/12/SW/--/SP/BN	304897902	958042969	
8970	8970-SC/T-/15TA/24/SW/--/SP/WH	304897001	958042968		
	8970-SC/T-/15TA/24/SW/--/SP/BN	304897002	958042970		

**8600 Toilet and Bidet Series •**


	8649	8649-SC/SC/15TA/12/SW/--/SP/WH	304864901	958043123	60
	8640	8640-SC/SC/15TA/24/SW/--/SP/WH	304864001	958043121	
	8689	8689-SC/TC/15TA/12/SW/--/SP/WH	304868901	958043119	
	8680	8680-SC/TC/15TA/24/SW/--/SP/WH	304868001	958043117	

**8900 Toilet and Bidet Series •**

	8949	8949-SC/SC/15TA/12/SW/--/SP/WH	304894901	958042999	61
	8940	8940-SC/SC/15TA/24/SW/--/SP/WH	304894001	958043000	
	8989	8989-SC/TC/15TA/12/SW/--/SP/WH	304898901	958043005	
	8980	8980-SC/TC/15TA/24/SW/--/SP/WH	304898001	958043003	


**Toilets ▼ RushFlush**

**9300 and 9400 Toilet Series •**

	9300	9300-FH/T-/AF/12/WS/SP/WH/CHR	330933111	958043215	62
		9300-FH/T-/AF/12/WS/SP/BN/CHR	330933131	958043218	
	9400	9400-FS/T-/AF/12/WS/SP/WH/TPC	330943110	958043231	63
		9400-FS/T-/AF/12/WS/SP/BN/TPC	330943130	958043232	

**Vacuum Systems ▼ VacuFlush Toilets**

**100 Toilet Series • 157 & 158 are Obsolete**

	146	146-TL/TFEV/SPK-WHITE	317014601	958042976	64	
		146-TL/TFEV/SPK-BONE	317014603	958042977		
	147	ECO VAC 147 WHT	317014701	958041396		
		ECO VAC 147 BONE	317014703	958041397		
	148	ECO VAC 148 WHT	317014801	958041398		
		ECO VAC 148 BONE	317014803	958041399		
	149	ECO VAC 149-WHITE	317014901	958041400		
		ECO VAC 149-BONE	317014903	958041401		
	157	ECO VAC 157-WHITE	317015701	958042290		65
		ECO VAC 157-BONE	317015703	958042291		
	158	ECO VAC 158-WHITE	317015801	958042292		
		ECO VAC 158-BONE	317015803	958042293		
168	ECO VAC 168-WHITE	317016801	958041402	66		

**Vacuum Systems ▼ VacuFlush Toilets**

	<b>Model</b>	<b>Description</b>	<b>Item</b>	<b>Product</b>	<b>Page</b>	
<b>500 Toilet Series •</b>						
	506	VACUFLUSH 506+ WHT	317850601	958041637	67	
		VACUFLUSH 506+ BONE	317850603	958041638		
		VACUFLUSH 506+ PLT	317850606	958041639		
		VACUFLUSH 506+ EBY	317850608	958041640		
	508	VACUFLUSH 508+ WHT	317850801	958041642	68	
		VACUFLUSH 508+ BONE	317850803	958041643		
	509	VACUFLUSH 509+ WHT	317450901	958041510	69	
		VACUFLUSH 509+ BONE	317450903	958041511		
	547	VACUFLUSH 547+ WHITE	317854701	958041649	70	
		VACUFLUSH 547+ BONE	317854703	958041650		
		VACUFLUSH 547+ PLT	317854706	958041651		
		VACUFLUSH 547+ EBY	317854708	958041652		
	548	VACUFLUSH 548+ WHT	317854801	958041654	71	
		VACUFLUSH 548+ BONE	317854803	958041655		
		VACUFLUSH 548+ PLT	317854806	958041656		
		VACUFLUSH 548+ EBY	317854808	958041657		
<b>600 Toilet Series •</b>						
	606	VACUFLUSH 606 - WHITE	317060601	958041405	72	
		VACUFLUSH 606 - BONE	317060603	958041406		
<b>700 Toilet Series •</b>						
	706	VACUFLUSH 706 WHT	317470601	958041521	73	
		VACUFLUSH 706 BONE	317470603	958041522		
	709	VACUFLUSH 709-WHITE	317470901	958041523	74	
		VACUFLUSH 709-BONE	317470903	958041524		
	748	VACUFLUSH 748-WHITE	317074801	958041411	75	
VACUFLUSH 748-BONE ^		317074803	958041412			
749	VACUFLUSH 749 WHT	317074901	958041413			
<b>800 Toilet Series • <i>Obsolete</i></b>						
	806	VACUFLUSH 806 WHITE	317480601	958041525	76	
		VACUFLUSH 806 BONE	317480601	958041525		
	808	VACUFLUSH 808 WHITE	317480801	958041527	77	
		VACUFLUSH 808 BONE	317480803	958041528		
	847	VACUFLUSH 847 WHITE	317484701	958041529		
		VACUFLUSH 847 BONE	317484703	958041530		
848	VACUFLUSH 848 WHITE	317484801	958041531			
	VACUFLUSH 848 BONE	317484803	958041532			
<b>1000 Toilet Series • <i>Obsolete</i></b>						
	1006	VACUFLUSH 1006 WHITE	317100601	958041414	78	
		VACUFLUSH 1006 BONE	317100603	958041415		
	1008	VACUFLUSH 1008 WHITE	317100801	958041419		
		VACUFLUSH 1008 BONE	317100803	958041420		
	1048	VACUFLUSH 1048 WHITE	317104801	958041425		
		VACUFLUSH 1048 BONE	317104803	958041426		
	1106	VACUFLUSH 1106 WHITE	317110601	958041431		79
		VACUFLUSH 1106 BONE	317110603	958041432		
1148	VACUFLUSH 1148 WHITE	317114801	958041435	80		
	VACUFLUSH 1148 BONE	317114803	958041436			


**Vacuum Systems ▼ VacuFlush Toilets**

	<b>Model</b>	<b>Description</b>	<b>Item</b>	<b>Product</b>	<b>Page</b>
<b>3000 Toilet Series • MAGNUM OPUS • <i>Obsolete</i></b>					
	3048	MAGNUM OPUS 3048 WHITE	317234801	958041468	81
		MAGNUM OPUS 3048 BONE	317234803	958041469	
<b>3600 Toilet Series • <i>Obsolete</i></b>					
	3606	VACUFLUSH 3606 WHITE	317236061	958042052	82
	3609	VACUFLUSH 3609 WHITE	317236091	958041471	83
	3648	VACUFLUSH 3648 WHITE	317236481	958041473	84
<b>4600 Toilet Series •</b>					
	4606	4606-TF/SC/SP/S /--/12/--/WHT	317463131	958043129	85
		4606-TF/SC/SP/S /--/24/--/WHT	317463141	958043131	
		4606-TF/SC/SP/S /--/12/--/BONE	317463133	958043130	
		4606-TF/SC/SP/S /--/24/--/BONE	317463143	958043132	
	4609	4609-TF/SC/SP/T /--/12/--/WHT	317463231	958043133	86
		4609-TF/SC/SP/T /--/24/--/WHT	317463241	958043135	
		4609-TF/SC/SP/T /--/12/--/BONE	317463233	958043134	
		4609-TF/SC/SP/T /--/24/--/BONE	317463243	958043136	
	4648	4648-RO/SC/SP/T /--/12/--/WHT	317466231	958043137	87
		4648-RO/SC/SP/T /--/24/--/WHT	317466241	958043139	
		4648-RO/SC/SP/T /--/12/--/BONE	317466233	958043138	
		4648-RO/SC/SP/T /--/24/--/BONE	317466243	958043140	
<b>4700 VacuFlush Toilet Series •</b>					
	4709	4709-TF/WS/SP/T /FH/12/CH/WHT	317472251	958043048	88
		4709-TF/WS/SP/T /FH/24/CH/WHT	317472281	958043050	
		4709-TF/WS/SP/T /FH/12/CH/BONE	317472253	958043049	
		4709-TF/WS/SP/T /FH/24/CH/BONE	317472283	958043051	
		4709-TF/WS/SP/T /--/12/--/WHT	317472231	958043043	
		4709-TF/WS/SP/T /--/24/--/WHT	317472241	958043045	
		4709-TF/WS/SP/T /--/12/--/BONE	317472233	958043044	
		4709-TF/WS/SP/T /--/24/--/BONE	317472243	958043046	
	4748	4748-RO/WS/SP/T /FH/12/CH/WHT	317475251	958043056	89
		4748-RO/WS/SP/T /FH/24/CH/WHT	317475281	958043058	
		4748-RO/WS/SP/T /FH/12/CH/BONE	317475253	958043057	
		4748-RO/WS/SP/T /FH/24/CH/BONE	317475283	958043059	
		4748-RO/WS/SP/T /--/12/--/WHT	317475231	958043052	
		4748-RO/WS/SP/T /--/24/--/WHT	317475241	958043054	
4748-RO/WS/SP/T /--/12/--/BONE	317475233	958043053			
4748-RO/WS/SP/T /--/24/--/BONE	317475243	958043055			
<b>4800 VacuFlush Toilet Series • (angle-back style)</b>					
	4806	VACUFLUSH 4806-12/WHITE	317148061	958042257	90
		VACUFLUSH 4806-24/WHITE	317248061	958042263	
		VACUFLUSH 4806-12/BONE	317148063	958042258	
		VACUFLUSH 4806-24/BONE	317248063	958042264	
	4809	VACUFLUSH 4809-12/WHITE	317148091	958042259	91
		VACUFLUSH 4809-24/WHITE	317248091	958042265	
		VACUFLUSH 4809-12/BONE	317148093	958042260	
		VACUFLUSH 4809-24/BONE	317248093	958042266	
	4848	VACUFLUSH 4848-12/WHITE	317148481	958042261	92
		VACUFLUSH 4848-24/WHITE	317248481	958042267	
		VACUFLUSH 4848-12/BONE	317148483	958042262	
		VACUFLUSH 4848-24/BONE	317248483	958042422	

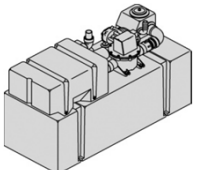
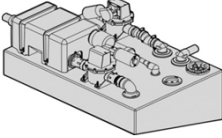
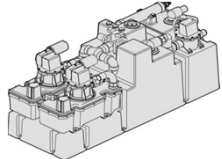
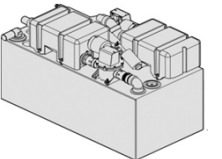
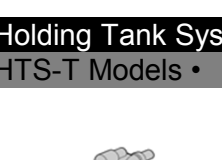
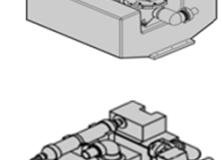
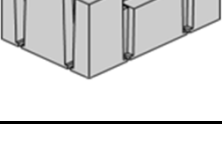

**Vacuum Systems ▼ VacuFlush Toilets**

	Model	Description	Item	Product	Page	
<b>4800 Toilet and Bidet Series •</b>						
	4826	4826-TF/SC/SP/SC/--/12/--/WHT	317483331	958042992	93	
		4826-TF/SC/SP/SC/--/24/--/WHT	317483341	958042993		
	4828	4828-RO/SC/SP/TC/--/12/--/WHT	317483431	958042991	94	
		4828-RO/SC/SP/TC/--/24/--/WHT	317483441	958043065		
	4829	4829-TF/SC/SP/TC/--/12/--/WHT	317486431	958042994	95	
		4829-TF/SC/SP/TC/--/24/--/WHT	317486441	958042995		
<b>5000 Toilet Series •</b>						
	5006	VACUFLUSH 5006-WHITE	317500601	958041534	96	
		VACUFLUSH 5006-BONE	317500603	958041535		
	5009	VACUFLUSH 5009-WHITE	317500901	958041536	97	
		VACUFLUSH 5009-BONE	317500903	958041537		
	5047	VACUFLUSH 5047-WHITE	317504701	958041540	98	
		VACUFLUSH 5047-BONE	317504703	958041541		
	5048	VACUFLUSH 5048-WHITE	317504801	958041542	98	
		VACUFLUSH 5048-BONE	317504803	958041543		
	5049	VACUFLUSH 5049-WHITE	317504901	958041544	99	
		VACUFLUSH 5049-BONE	317504903	958041545		
	5147	VACUFLUSH 5147-WHITE	317514701	958041548	99	
		VACUFLUSH 5147-BONE	317514703	958041549		
	5148	VACUFLUSH 5148-WHITE	317514801	958041550	99	
		VACUFLUSH 5148-BONE	317514803	958041551		
	5149	VACUFLUSH 5149-WHITE	317514901	958041552	99	
		VACUFLUSH 5149-BONE	317514903	958041553		
	<b>Vacuum Systems ▼ Vacuum Sources</b>					
	<b>CVT • Cassette Vacuum Tank • <i>Obsolete</i></b>					
	CVT2510	CASSETTE VACUUM TANK 2510	326002510	958041879	100	
	CVT2520	CASSETTE VACUUM TANK 2520	326002520	958042057	101	
	CVT2521	CASSETTE VACUUM TANK 2521	326002521	958042060		
<b>Vacuum Holding Tank •</b>						
	VHT12	VHT 12 FULL RELAY	317769012	958041611	102	
		VHT 3/4 FULL RELAY	317769212	958041613	103	
<b>VHT4500 • (used in combination with 140 series toilets)</b>						
	VHT4501	VT4501-STRAIGHT DIS'G	317704501	958042296	104	
	VHT4502	VT4502-ELBOW DIS'G	317704502	958042297		
	VHT4511	VT4511-T12/SWIVEL DIS'G	317704511	958042434	105	
<b>SailVac 5200 •</b>						
	VHT5200	VHT 5200 - 3/4-FULL-RELAY	317705200	958043116	106	
<b>Vacuum Generator • <i>VG Obsolete</i></b>						
	VG	VG12	317759012	958041593	107	
		VG24	317759024	958041594		
	VGLP	VGLP12	317770012	958041616	108	
		VGLP/W24	317770024	958041617		
	VG4	VG4/JW12-STANDARD	317780012	958042061	109	
		VG4/JW24-STANDARD	317780024	958042062		
<b>Vacuum Tank •</b>						
	VT	ACCUMULATOR TANK	317729100	958041568	110	

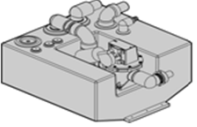
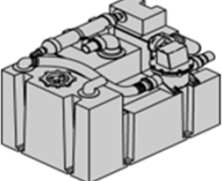

**Vacuum Systems ▼ Vacuum Sources**

	Model	Description	Item	Product	Page
<b>Vacuum Pump •</b>					
	S12	PUMP SW12	317201200	958041458	111
	S24	PUMP SW24	317202400	958041460	
	M115	PUMP M115/230 1/2H 30:1 TEFC60	317511500	958041546	112
	M12	PUMP M12-1/2HP 30:1	317501200	958041538	
	M24	PUMP M24-1/2HP 30:1	317502400	958041539	

**Vacuum Systems ▼ VacuFlush HTS Series**

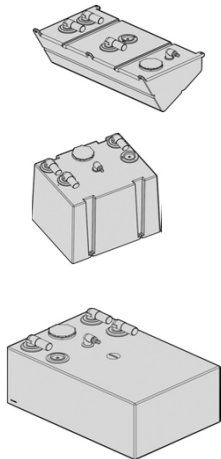
<b>HTS-VG Models •</b>					
	10HTS-VG	HTS 10 LPVG12/DTM04	322711012	958042133	113
		HTS 10-LPVG24/DTM04	322101024	958041741	
	18HTS-VG	HTS 18 VG412/DTM04	322711812	958042180	114
		HTS 18-VG4J24/DTM04	322011824	958041716	
	21HTS-VG	HTS 21-VG4JW12/T12/DTM4	322702112	958042087	115
		HTS 21-VG4J24/T24/DTM04	322702124	958042089	
	27HTS-VG	HTS 27 LPVG12/T12/DTM04	322712712	958042909	116
		HTS 27 LPVG24/T24/DTM04	322712724	958042910	
	28HTS-VG	HTS 28+ VG12/T/DTM04	322712812	958041841	117
		HTS 28+ VG24/T/DTM04	322712824	958041842	
	28HTS-VG HULL	HTS 28 HULL-LPVG12/T/DTM04	322722812	958042058	118
		HTS 28 HULL-LPVG24/T/DTM04	322722824	958042076	
	35HTS-VG	HTS 35-LPVG12/T/DTM04	322713512	958042439	119
		HTS 35/LPVG24/T24/DTM04	322013524	958041723	
	39HTS-VG	HTS 39-VG4JW12/T12/DTM04	322703912	958042469	120
		HTS 39-VG4J24/T/DTM04	322703924	958042470	
	40HTS-VG	HTS 40 VG412/T/DTM04	322714012	958042095	121
		HTS 40 VG4J24/T/DTM04	322714024	958042361	
	42HTS-VG	HTS 42-VG4T12/DTM04	322714212	958042485	122
		HTS 42-VG4T24/DTM04	322014224	958041730	
	55HTS-VG	HTS 55-VGLP12/T/DTM04	322715512	958042083	123
		HTS 55-VGLP24/T/DTM04	322715524	958042084	
	80HTS-VG	HTS 80-LPVG12/T/DTM04	322718012	958042479	124
		HTS 80-LPVG24/T/DTM04	322718024	958042480	

**Holding Tank Systems ▼ SeaLand**

<b>HTS-T Models •</b>					
	10HTS-T	HTS 10 HULL-T12/DTM04	322721012	958041843	125
		HTS 10 HULL-T24/DTM04	322721024	958042085	
	28HTS-T	HTS 28	322002800	958041703	126
		HTS 28 DTM04 PANEL	322012800	958041717	
		HTS 28 T12	322002812	958041704	
		HTS 28 DTM04/T12	322012812	958041718	
		HTS 28-DTM04/T24	322012824	958041719	
	40HTS-T	HTS 40	322004000	958041708	127
		HTS 40 T12	322004012	958041709	
		HTS 40 TW24	322004024	958041710	
		HTS 40-DTM04 PANEL	322014000	958041724	
		HTS 40-DTM04/12VDC	322014012	958041725	
		HTS 40-DTM04/24VDC	322014024	958041726	



**Holding Tank Systems ▼ SeaLand**

	Model	Description	Item	Product	Page
<b>DHT-L Models •</b>					
	DHT42L	HD TANK-EU 42L/11G W/CAP	322601101	958042659	128
	DHT61L	HD TANK-EU 61L/16G W/CAP	322601601	958042660	
	DHT88L	HD TANK-EU 88L/23G W/CAP	322602301	958042661	
	DHT110L	HD TANK-EU 110L/29G W/CAP	322602901	958042662	
	DHT137L	HD TANK-EU 137L/36G W/CAP	322603601	958042663	
<b>HTS Basic Models •</b>					
	12HTS-VRT	HD TANK 12 VRT-BASIC	322840122	958041846	129
	12HTS-HRZ	HD TANK 12 HRZ-BASIC	322840121	958041845	
	12HTS-HL	HD TANK 12G HULL-BASIC	322800121	958042078	
	15HTS-VRT	HD TANK 15 VRT-BASIC	322840152	958041848	
	15HTS-HRZ	HD TANK 15 HRZ-BASIC	322840151	958041847	
	20HTS-VRT	HD TANK 20 VRT-BASIC	322840202	958041850	
	20HTS-HRZ	HD TANK 20 HRZ-BASIC	322840201	958041849	
	25HTS-HRZ	HD TANK 25 HRZ-BASIC	322800251	958041844	
	28HTS-HL	HD TANK 28 HULL-BASIC	322800281	958042075	
	30HTS-HRZ	HD TANK 30 HRZ-BASIC	322840301	958041851	
	35HTS-HL	HD TANK 35 HULL-BASIC	322800351	958042079	
	40HTS-HRZ	HD TANK 40 HRZ-BASIC	322840401	958041852	
	50HTS-VRT-HL	HD TANK 50 VRT HULL-BASIC	322850501	958042080	
	50HTS-HRZ-HL	HD TANK 50 HRZ HULL-BASIC	322850502	958042081	
	55HTS-HRZ	HD TANK 55 HRZ-BASIC	322840551	958041853	
80HTS-HRZ	HD TANK 80 HULL-BASIC	322800801	958042099		
<b>Holding Tank System ▼ Accessories</b>					
<b>Dometic Tank Monitor •</b>					
	DTM04	DTM04 W/VENT	313604001	958042535	130
		DTM04 W/O VENT	313604002	958042536	
	DTM08	DTM08 WHT W/VENT-OEM	360608011	958042551	
		DTM08 WHT W/O VENT-OEM	360608012	958042552	
	DTM12	DTM12 BLK W/VENTS-OEM	360612001	958042555	
		DTM12 BLK W/O VENTS-OEM	360612002	958042556	
<b>Holding Tank System ▼ Accessories</b>					
<b>Pump, Discharge •</b>					
	T12	PUMP TW12	317301200	958041475	131
	T24	PUMP TW24	317302400	958041476	
<b>SaniSump •</b>					
		SANI SUMP-12 1-1/2" IN	314115012		132
		SANI SUMP-24 1-1/2" IN	314115024		



ITEM	DESCRIPTION	RETAIL	UPC	WGT	LEN	WID	HGT
385018005	TW CAP/FRESH WATER-CHAP 326SSI	\$ 205.08	713814077051	1	24	5	5
385022001	KIT, ASM WYE W/SHUTOFF VALVES	\$ 174.32	713814068059	3	18	12	12
385022002	KIT, WIRE HARNESS 2-HEAD SYS'T	\$ 460.05	713814068066	8	9	5.5	5.5
385230044	KIT, CHECK VALVE-NITRILE	\$ 24.28	87735102902	0.05	1	1	1
385230082	KIT, MALE VALVE-INLINE CHECK	\$ 41.11	87735102926	1	2	2	2
385230187	OBSOLETE, SUBSTITUTE 385239064		87735102971	1	12	6	3
385230192	KIT, 5/8" HOSE INLET ADAPTER	\$ 52.30	87735102988	0.05	12	0.63	0.63
385230193	KIT, 1/2" HOSE INLET ADAPTER	\$ 14.43	87735102995	0.05	12	0.5	0.5
385230268	KIT, FLOAT/STEM (THREADED)	\$ 44.83	87735103053	0.05	2	2	2
385230278	KIT, VERTICAL FLOAT SWITCH	\$ 41.11	87735106115	0.05	2	2	2
385230319	KIT, BRACKET-HAND SPRAY	\$ 6.73	87735106146	1	2	2	2
385230325	KIT, HAND SPRAY VB w/EX'TN	\$ 46.08	87735106139	0.15	7	5	2
385230335	KIT, HAND SPRAY VB	\$ 42.33	87735106368	0.15	7	5	2
385230353	KIT, MOTOR/SOLENOID-12VDC	\$ 1,627.63	87735103114	1	6	6	6
385230354	KIT, MOTOR/SOLENOID-24VDC	\$ 1,521.75	87735103121	1	6	6	6
385230356	KIT, MOTOR/SOLENOID-115VAC	\$ 1,033.61	87735103145	1	6	6	6
385230374	KIT, 960 FRESH WATER TANK-PARC	\$ 85.47	87735103169	5	16.5	16.5	6
385230375	KIT, 960 FRESH WATER TANK-PLAT	\$ 85.47	87735103176	5	16.5	16.5	6
385230376	KIT, 964MSD HOLDING TANK-PARCH	\$ 66.00	87735103183	5	16.5	16.5	6
385230377	KIT, 964MSD HOLDING TANK-PLAT	\$ 66.00	87735103190	5	16.5	16.5	6
385230378	KIT, 965MSD HOLDING TANK-PARCH	\$ 89.66	87735103206	5	16.5	16.5	8
385230379	KIT, 965MSD HOLDING TANK-PLAT	\$ 89.66	87735103213	5	16.5	16.5	8
385230394	KIT, DRAIN PLUG/O'RING-BONE	\$ 8.09	87735103220	0.05	1	1	1
385230647	KIT, UNIVERSAL FLANGE SCREWS	\$ 10.30	87735103244	1	0	0	0
385230672	KIT, TRAVELER HAND LEVER	\$ 107.10	87735106344	1.2	12	4	4
385230930	KIT, FLEX PROBE-22"	\$ 47.33	87735106160	0.15	3	3	22
385230931	OBSOLETE, SUBSTITUTE 385311521		87735103404	2	16.5	16.5	4
385230933	OBSOLETE, SUBSTITUTE 385311520		87735103428	2	16.5	16.5	4
385230980	KIT, BELLOWS-S/T PUMP	\$ 107.10	87735106122	0.6	5	5	12
385230983	KIT, WATER VALVE (BULK/50)	\$ 1,889.13	87735119238	12	1	1	1
385230984	OBSOLETE, SUBSTITUTE 385311407		87735119252	13	1	1	1
385230985	KIT, BALL/SHAFT/CART(BULK/25)	\$ 1,039.83	87735119269	13.35	15	12	10
385236096	KIT, SPRING CARTRIDGE	\$ 36.11	87735103565	0.2	2	2	2
385239064	KIT, SLIDE VALVE-WHITE	\$ 36.11	87735103572	0.7	12	4	5
385250020	KIT, 4010 TANK CAP/O'RING	\$ 42.33	87735103589	2	5	5	2
385250022	KIT, 4000 TANK CAP/O'RING	\$ 49.81	87735103596	2	5	5	2
385304001	DISPLAY, MACERATOR W/PWR SPLY	\$ 1,816.58		24	0	0	0
385304002	DISPLAY, MACERATOR W/OPWR SPLY	\$ 1,038.04		19	0	0	0
385310008	KIT, MACERATOR BLADE/SCREW	\$ 19.19	87735103619	1	1	1	1
385310017	KIT, VACUUM TANK-REPLACEMENT	\$ 195.52	87735103657	7	12	12	24
385310018	KIT, HOLDDOWN BRKT-964/944	\$ 22.03	87735102537	0.3	2	2	3
385310025	KIT, HALF CLAMP-WHITE	\$ 34.87	87735103664	0.6	12	12	2
385310031	KIT, CAP/SEAL-PLAT.	\$ 12.50	87735103671	1	2	2	2
385310033	OBSOLETE, SUBSTITUTE 385311080		87735103695	30	24	24	12
385310039	OBSOLETE, SUBSTITUTE 385310104		87735103718	1	5	5	9
385310048	KIT, HALF CLAMP-BONE	\$ 32.38	87735103756	1	12	12	3
385310050	KIT, CAP/SEAL-PARCH	\$ 12.50	87735103763	0.1	3	3	3
385310063	KIT, FLOOR FLANGE SEAL	\$ 25.67	87735103794	0.25	8	11	0
385310064	KIT, MOUNT-TRAVELER-506/806	\$ 12.50	87735102841	0.15	2	2	2
385310066	KIT, SANIPOTTIE LATCH-WHITE	\$ 14.08	87735103800	0.4	5	5	2
385310067	KIT, SANIPOTTIE LATCH-PARCH	\$ 14.08	87735103817	0.4	5	5	2
385310076	KIT, DB VALVE 1-1/2"-BLACK (2)	\$ 28.82	87735102520	0.01	7	5	0
385310080	OBSOLETE, SUBSTITUTE 385310739		87735103855	34	0	0	0
385310081	OBSOLETE, SUBSTITUTE 385310740		87735103862	34	24	24	12
385310084	KIT, 28C TANK-BONE	\$ 408.21	87735103886	20	20	20	12
385310096	KIT, INSTALLATION-340 TW	\$ 5.55	87735103930	1	0	0	0
385310102	KIT, FR WATER TANK CAP-PARCH	\$ 11.09	87735103978	0.05	2	2	2
385310103	KIT, FR WATER TANK CAP-PLAT	\$ 11.09	87735103985	0.05	2	2	2
385310104	KIT, 960 BELLOWS-PARCHMENT	\$ 41.11	87735103992	0.4	6	6	12
385310105	KIT, 960 BELLOWS-PLATINUM	\$ 41.11	87735104005	0.4	6	6	12
385310108	KIT, SHORT BASE COVER-WHITE	\$ 25.67	87735104036	0.85	8	8	12

ITEM	DESCRIPTION	RETAIL	UPC	WGT	LEN	WID	HGT
385310109	KIT, SHORT BASE COVER-BONE	\$ 25.67	87735104043	2	8	8	12
385310110	KIT, SHORT BASE COVER-PLAT	\$ 29.39	87735104050	2	8	8	12
385310111	KIT, TALL BASE COVER-WHITE	\$ 36.11	87735102810	2	8	8	12
385310112	KIT, TALL BASE COVER-BONE	\$ 36.11	87735104067	2	8	8	12
385310113	KIT, TALL BASE COVER-PLAT	\$ 38.61	87735104074	2	8	8	12
385310114	KIT, TALL PEDAL COVER WHT	\$ 32.38	87735104081	0.65	8	8	12
385310115	KIT, TALL PEDAL COVER-BONE	\$ 32.38	87735104098	0.55	8	8	12
385310116	KIT, TALL PEDAL COVER-PLAT	\$ 38.61	87735104104	2	8	8	12
385310117	KIT, SHORT PEDAL COVER-WHT	\$ 25.67	87735104111	0.5	8	8	8
385310118	KIT, SHORT PEDAL COVER-BONE	\$ 25.67	87735104128	0.45	8	8	8
385310119	KIT, SHORT PEDAL COVER-PLAT	\$ 28.14	87735104135	2	8	8	8
385310120	KIT, 510/910/2010 BASE-WHITE	\$ 315.08	87735104142	5.5	8	8	12
385310121	KIT, 510/910/2010 BASE-BONE	\$ 315.08	87735104159	5.5	8	8	12
385310122	KIT, 510/910 BASE-PLAT	\$ 321.29	87735104166	5.5	8	8	12
385310123	KIT, 511/911/2011 BASE-WHITE	\$ 315.08	87735104173	5	8	8	8
385310124	KIT, 511/911/2011 BASE-BONE	\$ 315.08	87735104180	5	8	8	8
385310125	KIT, 511/911 BASE-PLAT	\$ 321.29	87735104197	5	8	8	8
385310126	KIT,08 BASE-WHITE	\$ 321.26	87735104203	6.4	8	8	12
385310127	KIT,08 BASE-BONE	\$ 321.29	87735104210	6.4	8	8	12
385310128	KIT, 508/808 BASE-PLAT	\$ 321.29	87735104227	6.5	8	8	12
385310129	KIT, 548/848/1048 BASE-WHITE	\$ 315.08	87735104234	6.5	8	8	12
385310130	KIT, 548/848/1048 BASE-BONE	\$ 321.29	87735104241	6.5	8	8	12
385310131	KIT, 548/848 BASE-PLAT	\$ 321.29	87735104258	6.5	8	8	12
385310132	KIT, 506/806/1006/706 BASE-WHT	\$ 315.08	87735104265	6	8	8	8
385310133	KIT, 506/806/1006/706BASE-BONE	\$ 321.29	87735104272	6.15	8	8	8
385310134	KIT, BASE 506/806-PLAT	\$ 321.29	87735104289	8	8	8	8
385310135	KIT, FILTER INSTALLATION	\$ 12.50	87735104296	1	3	3	12
385310136	KIT, '48 BASE COVER WHITE	\$ 38.61	87735104302	2	8	8	12
385310137	KIT, '48 BASE COVER-BONE	\$ 38.61	87735104319	2	8	8	12
385310138	KIT, '48 BASE COVER-PLATINUM	\$ 38.61	87735104326	2	8	8	12
385310139	KIT, UNIVERSAL MT FLANGE-WHT	\$ 40.06	87735102612	0.6	5	5	3
385310140	KIT, UNIVERSAL MT FLANGE-BONE	\$ 40.06	87735102629	0.6	5	5	3
385310141	OBSOLETE, SUBSTITUTE 385310139		87735102636	0.6	5	5	3
385310151	KIT, O'RING-S/T PUMP	\$ 17.10	87735104401	0.01	6	6	0.5
385310169	KIT, 510/2010 BASE-EBONY	\$ 328.76	87735104456	9	8	8	12
385310171	KIT, 508/1008 BASE-EBONY	\$ 328.76	87735104470	9	8	8	12
385310172	KIT, 548/1048 BASE-EBONY	\$ 328.76	87735104487	9	8	8	12
385310173	KIT, TALL BASE COVER-EBONY	\$ 52.30	87735104494	2	8	8	8
385310174	KIT, 548/1048 COVER-EBONY	\$ 52.30	87735102827	2	8	8	8
385310175	KIT, TALL PEDAL COVER -EBONY	\$ 57.29	87735104500	0.6	8	8	8
385310176	KIT,BOWL-500 EBONY	\$ 531.75	87735104517	34	24	24	12
385310177	KIT, BALL/SHAFT/CART-EBONY	\$ 59.77	87735104524	0.3	8	3	10
385310203	OBSOLETE, SUBSTITUTE 385310111		87735104784	2	8	8	8
385310228	KIT, VACUFLUSH MAINTENANCE	\$ 247.83	87735105019	2.2	14	10	6.5
385310232	OBSOLETE, SUBSTITUTE 385311423		87735105033	7	8	6	6
385310233	OBSOLETE, SUBSTITUTE 385311424		87735105040	7	8	6	6
385310235	KIT, PUMPOUT/VENT ADAPTERS	\$ 11.09	87735105064	1	2	2	2
385310236	KIT, PUMPOUT/VENT CAPS	\$ 8.09	87735105071	0.1	2	2	2
385310239	KIT, HOLD DOWN BRACKETS-LONG	\$ 28.83	87735105101	0.4	2	2	3
385310242	KIT, S/T PUMP BUSHING	\$ 16.70	87735105132	1	1	1	1
385310243	KIT, 4015 TANK FITTINGS	\$ 52.30	87735105149	1	9	12	0
385310245	OBSOLETE, SUBSTITUTE 385311065		87735105156	5	6	6	8
385310246	OBSOLETE, SUBSTITUTE 385311066		87735105163	5	6	6	8
385310249	KIT, S PUMP W/O MOTOR	\$ 608.96	87735105187	7	12	12	26
385310250	KIT, T PUMP W/O MOTOR	\$ 235.37	87735105194	7	24	12	12
385310258	KIT, COMPRES NUT/ADJST CAP	\$ 8.29	87735111225	1	1	1	1
385310289	KIT, TW III 12 RELAY	\$ 47.33	87735102643	1	1	1	1
385310290	KIT, TW III 24 RELAY	\$ 52.30	87735105569	1	1	1	1
385310513	KIT, MAINTENANCE-B PUMP	\$ 229.13	87735105675	3	6	6	6
385310523	KIT, HARNESS-106 WTR VALVE	\$ 12.21	87735106214	1	1	1	1
385310531	KIT, M PUMP MAINTENANCE	\$ 239.44	87735107129	3	6	6	6

ITEM	DESCRIPTION	RETAIL	UPC	WGT	LEN	WID	HGT
385310532	KIT, DIP TUBE-M28 TANK	\$ 61.03	87735107136	2	3	3	12
385310533	KIT, MOUNTING-M28 TANK	\$ 34.87	87735107143	2	2	2	2
385310534	KIT, TOILET MOUNTING-M28	\$ 20.41	87735107150	2	2	2	2
385310535	KIT, OPTIONAL ELBOW-VG II	\$ 42.11	87735111232	1	4	2	2
385310539	KIT, DIP TUBE ASSEMBLY-VGII	\$ 54.80	87735107747	2	3	3	12
385310540	KIT, VACUUM SWITCH-VGII	\$ 150.69	87735107754	0.7	2	6	4
385310542	KIT, VACUUM GENERATOR II TANK	\$ 204.23	87735107761	9	12	12	24
385310545	KIT, SINGLE LEVEL CAP W/EXT	\$ 38.61	87735107822	1	2	2	2
385310550	KIT, FUNNEL-106 VACUFLUSH	\$ 184.31	87735108140	2	6	2	4
385310563	KIT, MOTOR 220V;1/2H;50HZ TEFC	\$ 1,592.62	87735108294	23	0	0	0
385310572	KIT, S.P. REPAIR-PARCH	\$ 28.14	87735108669	0.2	6	4	2
385310573	KIT, S.P. REPAIR-PLAT	\$ 28.14	87735108676	0.2	6	4	2
385310577	KIT, SANIPOTTIE ELBOW	\$ 32.38	87735108980	0.65	2	2	2
385310578	KIT, LEVER/CART-TALL BASE	\$ 74.72	87735109321	1	6	6	8
385310579	KIT, LEVER/CART-SHORT BASE	\$ 74.72	87735109338	1	7	5	4
385310580	KIT, ELBOW-08/48 OUTLET	\$ 14.43	87735109895	0.4	2	3	4
385310582	KIT, INDICATOR ASSY-SANISUMP	\$ 80.95	87735109901	1	6	2	2
385310583	KIT, SANI SUMP TANK w/VENT	\$ 53.56	87735109925	2	12	20	6
385310584	KIT, SANI SUMP ASSY LESS T12	\$ 469.49	87735109932	2	12	8	24
385310587	OBSOLETE, SUBSTITUTE 313612401		87735110280	2	4	4	4
385310588	KIT, 511/2011 BASE-EBONY	\$ 328.76	87735110303	8	8	8	4
385310593	KIT, SHORT PEDAL COVER-EBONY	\$ 30.75	87735110327	2	5	3	3
385310596	OBSOLETE, SUBSTITUTE 385310117		87735110358	2	5	3	3
385310600	KIT, SHORT BASE COVER-EBONY	\$ 37.36	87735110396	2	5	3	3
385310603	OBSOLETE, SUBSTITUTE 385310108		87735110426	2	5	3	3
385310607	KIT, 506/1006 BASE-EBONY	\$ 328.76	87735110464	8	8	8	4
385310610	OBSOLETE, SUBSTITUTE 385310132		87735110495	8	8	8	4
385310613	KIT, 547/847 BASE COVER-BONE	\$ 39.55	87735110570	2	3	3	5
385310614	KIT, 547/847 BASE-BONE	\$ 321.29	87735110587	9	8	8	8
385310615	OBSOLETE, SUBSTITUTE 385310739		87735110594	34	19	17.5	11
385310626	OBSOLETE, SUBSTITUTE 385311436		87735110853	0.8	4	4	4
385310627	KIT, VACUUM RELIEF VALVE	\$ 125.79	87735110860	1	4	4	4
385310629	KIT, FULL INDICATOR-VHT	\$ 80.95	87735110884	0.2	3	3	3
385310630	KIT, VHT-MACHINED	\$ 271.48	87735110891	10	28	10	15.5
385310631	KIT, CONNECTING ROD-AIR PUMP	\$ 153.17	87735110907	1	3	3	3
385310632	OBSOLETE, SUBSTITUTE 385310723		87735110914	1	3	3	3
385310633	OBSOLETE, SUBSTITUTE 385310642		87735110921	1	3	3	3
385310635	KIT, INLET ELBOW-UNISEAL	\$ 27.54	87735110976	0.8	3	3	3
385310636	OBSOLETE, SUBSTITUTE 313530012		87735111157	2	3	3	3
385310637	OBSOLETE, SUBSTITUTE 313530024		87735111164	2	3	3	3
385310638	KIT, DIP TUBE-VHT SWIVEL	\$ 51.04	87735111263	2	3	3	8
385310640	KIT, DIPTUBE-4012V HD	\$ 41.11	87735111324	1	2	2	22
385310642	KIT, VHT AIR PUMP-COMPLETE	\$ 462.02	87735111430	4	3	3	3
385310644	KIT, ECCENTRIC/SCREW-S/T PUMP	\$ 18.38	87735111621	1	1	1	1
385310645	KIT, TW III CAP W/O VENT-28HTS	\$ 149.44	87735111638	2	3	3	22
385310646	KIT, TW III CAP W/O VENT-40HTS	\$ 149.44	87735111645	0.85	24	5	5
385310647	KIT, DIPTUBE ASSY-28 HTS	\$ 46.08	87735111652	1	3	3	30
385310648	KIT, DIPTUBE ASSY-40 HTS	\$ 46.08	87735111669	1	3	3	30
385310649	KIT, SANI SUMP ASSY LESS T24	\$ 469.49	87735111690	2	12	6	6
385310650	KIT, SANISUMP CIR'BOARD ENC	\$ 72.23	87735111683	1	3	3	3
385310651	KIT,SC INTERLK 1-1/2CONBRACO	\$ 131.97	87735111706	0.4	3	2	1
385310659	KIT, CIRCUIT BOARD ASSEMBLY	\$ 70.99	87735111973	1	3	3	3
385310660	KIT, DIP TUBE-UNIVERSAL	\$ 51.35	87735112031	1.9	24	4.75	4.75
385310662	KIT, TW I INDICATOR PANEL	\$ 52.30	87735112116	1	3	3	3
385310664	KIT, MOTOR-VHT	\$ 171.87	87735112253	0.2	3	3	3
385310665	KIT, 847 BASE-WHITE	\$ 315.08	87735112284	7	8	8	8
385310666	OBSOLETE, SUBSTITUTE 313604401		87735112321	1	3	3	3
385310668	OBSOLETE, SUBSTITUTE 385310660		87735112581	5	1.5	1.5	22
385310669	KIT, VG-42HTS 12VDC	\$ 1,236.60	87735112598	10	19	10	14
385310670	KIT, TW III CAP-42HTS	\$ 154.42	87735112635	3	3	3	22
385310671	KIT, 42HTS TANK-MACHINED	\$ 818.17	87735112628	10	43	18	28

ITEM	DESCRIPTION	RETAIL	UPC	WGT	LEN	WID	HGT
385310672	KIT, VG-42HTS 24VDC @	\$ 1,236.60	87735112604	10	19	10	14
385310673	KIT, FILTER MOUNTING-HTS	\$ 33.17	87735112642	1	12	1	1
385310674	KIT, 547/847 BASE COVER-WHITE	\$ 38.61	87735112659	2	8	8	8
385310675	KIT, 3/4 LEVEL INDICATOR-VHT	\$ 80.95	87735112697	1	3	3	3
385310676	KIT, ECOVAC BOWL - WHITE	\$ 272.72	87735112772	30	18.25	14.5	6
385310677	OBSOLETE, SUBSTITUTE 385311462		87735112789	0.5	3	3	0.5
385310679	KIT, MOUNTING-ECOVAC - WHITE	\$ 8.09	87735112802	1	2	2	2
385310680	KIT, DISCHARGE 147/148-ECOVAC	\$ 35.71	87735112819	1	3	3	3
385310681	KIT, BALL/SHAFT/CART/ECOVAC	\$ 53.56	87735112826	0.3	8	3	10
385310682	KIT, ECOVAC PEDAL/CART-WHT	\$ 54.80	87735112833	1	6	3	3
385310683	KIT, SPRING CARTRIDGE-ECOVAC	\$ 25.67	87735112710	0.15	1	1	1
385310684	KIT, FLEX PROBE-45"	\$ 51.06	87735112727	1	1	1	45
385310685	KIT, ECOVAC RH DISC BASE-WHITE	\$ 272.72	87735112857	5.5	8	8	8
385310686	KIT, ECOVAC REAR DISC BASE-WHT	\$ 272.72	87735112864	8	8	8	8
385310687	KIT, VAC BRK-ECOVAC	\$ 29.39	87735112840	0.1	2	2	2
385310688	KIT, SCOCK INLOCK 60"/DEUTSCH	\$ 120.97	87735112970	0.35	0	0	0
385310689	KIT, DB VLV 1-1/2"-BLACK-50	\$ 630.12	87735112987	2	8	8	5
385310690	KIT, INLET STRAIGHT 1-1/2"	\$ 24.87	87735113021	1	1.5	1.5	1.5
385310692	KIT, VG INLET 180 ELBOW	\$ 16.70	87735113069	0.9	1.5	1.5	1.5
385310693	OBSOLETE, SUBSTITUTE 313604401		87735113076	2	3	3	3
385310694	KIT, 12VDC PUMP RELAY	\$ 104.24	87735113106	1	1	1	1
385310695	KIT, 24VDC PUMP RELAY	\$ 105.85	87735113090	1	1	1	1
385310696	KIT, ECOVAC VB COVER-WHITE	\$ 36.11	87735113120	1	2	2	2
385310697	KIT, SCOCK SW 60"DEUTC/36"LD	\$ 73.48	87735113137	1	3	3	3
385310698	KIT, SCOCK SW 60"DEUTC/108"LD	\$ 73.48	87735113144	0.5	3	3	3
385310699	KIT, TW CAP W/VENT-4068H	\$ 170.62	87735113182	1	3	3	3
385310700	KIT, TW CAP W/VENT-4068V	\$ 170.62	87735113199	1	3	3	3
385310701	OBSOLETE, SUBSTITUTE 385310660		87735113205	1	0	0	0
385310702	OBSOLETE, SUBSTITUTE 385310660		87735113212	1	0	0	0
385310703	KIT, HOLDING TANK-4068H	\$ 1,225.38	87735113229	50	0	0	0
385310704	KIT, HOLDING TANK-4068V	\$ 1,178.05	87735113236	50	0	0	0
385310705	KIT, SCOCK INLOCK-GROCO/12	\$ 199.02	87735113298	1	3	3	3
385310707	OBSOLETE, SUBSTITUTE 385310660		87735113601	1	3	3	22
385310708	KIT, ELBOW-1 1/2" SHORT INLET	\$ 49.81	87735113618	1	1.5	1.5	1.5
385310709	KIT, ELBOW 1 1/2" SWEEP-18HTS	\$ 42.33	87735113625	1	1.5	1.5	1.5
385310710	KIT, ELBOW 1 1/2" SWIVEL NUT	\$ 54.80	87735113632	1	1.5	1.5	1.5
385310711	KIT, TW CAP VENT-18HTS/DEUTSCH	\$ 165.63	87735113649	1	3	3	22
385310713	KIT, TW CAP W/VENT-18HTS	\$ 155.67	87735113694	5	3	3	22
385310714	KIT, HARNESS/DEUTSCH PLUGS 10'	\$ 100.88	87735113717	2	1	1	1
385310715	KIT,TWCAP W/O VENT-28HTS D'SCH	\$ 165.63	87735113731	2	3	3	22
385310716	KIT,TWCAP W/O VENT 42HTS D'SCH	\$ 165.63	87735113748	2	3	3	22
385310717	KIT, 12VDC VG W/DEUTSCH-42HTS	\$ 1,236.60	87735113755	12	19	10	14
385310718	KIT, 24VDC VG W/DEUTSCH-42HTS	\$ 1,399.72	87735113762	12	19	10	14
385310719	KIT, 28HTS TANK-MACHINED	\$ 663.75	87735113779	10	30	19	19.5
385310720	KIT, 40HTS TANK-MACHINED	\$ 809.44	87735113786	15	26	22	22
385310721	KIT, 24 CIRCUIT BOARD ASSM	\$ 88.42	87735113861	1	3	3	3
385310723	KIT, V' REPL-AIR PUMP OLD SYLE	\$ 44.83	87735113946	0.1	3	3	3
385310724	KIT, TM 6 PANEL - 12VDC	\$ 186.80	87735114028	1	0	0	0
385310725	KIT, TM 6 PANEL - 24VDC	\$ 186.80	87735114035	1	2.44	4.75	2.88
385310726	OBSOLETE, SUBSTITUTE 313814101		87735114073	1	3	3	3
385310727	OBSOLETE, SUBSTITUTE 313814103		87735114080	1	3	3	3
385310728	KIT, S-PUMP Q'CON O'LET FITT	\$ 46.08	87735114707	1	3	3	3
385310729	KIT, CAP/HOSE-1 1/2"	\$ 14.08	87735114721	0.4	1.5	1.5	1.5
385310730	OBSOLETE, SUBSTITUTE 313530012		87735114745	1	3	3	3
385310735	KIT, S'SUMP LESS T12/PROLINE	\$ 273.97	87735115049	2	12	6	6
385310738	KIT, INLET/SWIVEL EL-HUNTER	\$ 52.30	87735115353	1	1.5	1.5	1.5
385310739	KIT,BOWL - 500+ WHITE	\$ 473.21	87735115377	36.4	20.5	15.25	8
385310740	KIT,BOWL - 500+ BONE	\$ 473.21	87735115384	36.4	20.5	15.25	8
385310741	KIT,BOWL - 500+ PLATINUM	\$ 473.21	87735115391	36.4	20.5	15.25	8
385310742	KIT,BOWL - 500+ EBONY	\$ 587.78	87735115407	36.4	20.5	15.25	8
385310744	OBSOLETE, SUBSTITUTE 385310579		87735115421	2	3	3	3

ITEM	DESCRIPTION	RETAIL	UPC	WGT	LEN	WID	HGT
385310745	KIT, 547+ BASE COVER - PLAT	\$ 38.61	87735115513	2	8	8	8
385310746	KIT, 547+ BASE COVER - EBONY	\$ 52.30	87735115520	2	8	8	8
385310747	OBSOLETE, SUBSTITUTE 385310674		87735115537	2	8	8	8
385310748	KIT, 547+ BASE - PLATINUM	\$ 321.29	87735115544	9	8	8	8
385310749	KIT, 547+ BASE - EBONY	\$ 328.76	87735115551	9	8	8	8
385310752	OBSOLETE, SUBSTITUTE 385343902		87735115582	1	1	1	1
385310754	KIT, DIPTUBE-LOW PROFILE VG	\$ 53.56	87735115681	2	3	3	22
385310755	KIT, TANK VG3-MACHINED	\$ 153.17	87735115698	8.75	20	10	7.5
385310756	KIT, MOTOR/DEUSTCH CONN-12VDC	\$ 332.52	87735115704	1	3	3	3
385310758	KIT, FLOAT/STEM - BARBED	\$ 44.83	87735115810	1	2	2	3
385310759	OBSOLETE, SUBSTITUTE 385310792		87735115940	8	0	0	0
385310760	OBSOLETE, SUBSTITUTE 385310793		87735115957	8	0	0	0
385310762	KIT, PEDAL ECOVAC/110-BONE	\$ 52.30	87735115971	1	6	3	3
385310767	OBSOLETE, SUBSTITUTE 385310660		87735116060	2	1.5	1.5	22
385310768	KIT, EMPTY FLOAT-10HTS	\$ 82.18	87735116077	1	1.5	1.5	2
385310769	KIT, VACUUM PUMP 12VDC-10HTS	\$ 586.54	87735116084	8	16	7.5	7.5
385310771	KIT, 10HTS TANK-MACHINED	\$ 452.05	87735116107	10	32	11	16
385310772	KIT, EL/SWIVEL CONN/FOR U' SEAL	\$ 39.55	87735116114	0.7	1.5	1.5	3
385310773	KIT, RELAY-10HTS	\$ 92.15	87735116121	1	1	1	1
385310774	KIT, VGII PUMP ASSY - 12VDC	\$ 818.17	87735116138	8	16	7.25	7.5
385310775	KIT, VGII PUMP ASSY - 24VDC	\$ 818.17	87735116145	8	16	7.25	7.5
385310781	KIT, ECOVAC BOWL - BONE	\$ 272.72	87735116329	30	18	17	6
385310782	KIT, ECOVAC VB COVER - BONE	\$ 25.67	87735116336	0.5	8	8	4
385310783	KIT, ECOVAC RH DISH BASE/BONE	\$ 272.72	87735116343	4.9	8	8	8
385310784	KIT, ECOVAC RER DISH BASE/BONE	\$ 272.72	87735116350	4.9	18	12	12
385310785	KIT, MOUNTING-ECOVAC - BONE	\$ 6.73	87735116367	1	1	1	1
385310786	OBSOLETE, SUBSTITUTE 385310762		87735116374	1	3	3	3
385310787	KIT, 45 INLET ELBOW/UNISEALS	\$ 28.14	87735116404	1	1.5	1.5	3
385310790	KIT,BOWL TRAVELER LITE/WHITE	\$ 277.71	87735116664	30	19.5	15	8
385310791	KIT,BOWL TRAVELER LITE/BONE	\$ 277.71	87735116671	30	19.5	15	8
385310792	KIT, BASE TRAVELER L'T 110/WHT	\$ 179.32	87735116688	5.25	8	8	8
385310793	KIT, BASE TRAVELER L'T110/BONE	\$ 179.32	87735116695	9	8	8	8
385310794	KIT, MOUNT TRAVELER L'T110/WHT	\$ 12.50	87735116701	1	1	1	1
385310795	KIT, VAC BREAKER COVER/TL/WHT	\$ 10.83	87735116718	0.058	3	3	3
385310796	KIT, VAC BREAKER COVER/TL/BONE	\$ 10.83	87735116725	0.05	3	3	3
385310798	KIT, 12VDC RELAY/6 PIN-VG	\$ 107.10	87735116770	1	1	1	1
385310799	KIT, 24VDC RELAY/6 PIN-VG	\$ 115.81	87735116787	1	1	1	1
385310800	OBSOLETE, SUBSTITUTE 385310916		87735116800	3	0	0	0
385310801	KIT, BASE TRAVELER L'T111/WHT	\$ 183.70	87735116824	5	8	8	4
385310802	KIT, BASE TRAVELER L'T111/BONE	\$ 183.70	87735116831	5	8	8	4
385310803	KIT, MNT TRAVELER L'T/110BONE	\$ 12.21	87735116848	1	8	8	8
385310807	KIT, VAC BRK'R ASY/PLUGIN BASE	\$ 47.33	87735117807	0.4	6	4	2
385310808	KIT, VAC BRK'K SPRAY/PLUGIN BS	\$ 51.06	87735117814	1	3	3	3
385310809	KIT, HAND SPRAY-CHROME	\$ 54.80	87735117821	0.5	3	3	3
385310813	KIT, MOUNT/MAGNUM OPUS/CHROME	\$ 15.69	87735117869	2	3	3	3
385310814	KIT, MOUNT/MAGNUM OPUS/GOLD	\$ 17.10	87735117876	2	3	3	3
385310819	KIT, BALL SEAL/MAGNUM OPUS	\$ 51.06	87735117920	0.35	6	6	6
385310821	KIT, WATER VALVE 12/MAGNUM OP	\$ 108.15	87735117944	1	4	4	4
385310827	OBSOLETE, SUBSTITUTE 385310893		87735118002	10	0	0	0
385310828	OBSOLETE, SUBSTITUTE 385310892		87735118019	10	0	0	0
385310833	KIT, DNF PANEL/FULL FLOAT	\$ 61.03	87735117562	1	3	3	3
385310836	KIT, ELBOW-T PUMP	\$ 58.53	87735117616	1	3	1.5	1.5
385310837	OBSOLETE, SUBSTITUTE 385310660		87735117654	3	20	3	3
385310838	KIT, 35 HTS-MACHINED	\$ 348.69	87735117661	40	22.5	32	21.5
385310839	KIT, LEVEL INDICATOR-14"	\$ 31.51	87735117678	2	3	3	3
385310840	KIT, LEVEL INDICATOR 8"	\$ 30.75	87735117685	0.6	3	3	3
385310841	KIT, LEVEL INDICATOR 2 1/4"	\$ 30.75	87735117692	2	3	3	3
385310842	KIT, RELAY/BRACKET-12VDC	\$ 54.80	87735117708	1	3	3	3
385310843	KIT, RELAY/BRACKET-24VDC	\$ 54.80	87735117715	1	1	1	1
385310844	KIT, TANK INLET ELBOW-35HTS	\$ 46.08	87735117722	1	1.5	1.5	1.5
385310845	KIT, WATER VALVE 24/MAGNUM OP	\$ 128.70	87735118064	0.6	3	3	3

ITEM	DESCRIPTION	RETAIL	UPC	WGT	LEN	WID	HGT
385310847	OBSOLETE, SUBSTITUTE 385310890		87735118088	10	3	3	3
385310851	KIT,ACCESS LID/MAGNUM OPUS WHT	\$ 104.61	87735118149	5	15.5	3	3
385310852	KIT,ACCESS LID/MAGNUM OPUS BON	\$ 104.61	87735118156	3.5	15.5	3	3
385310854	KIT,ACCESS LID MT/MAGNUM OPUS	\$ 104.61	87735118170	1	1	1	1
385310855	KIT, 500+ REINFORCEMENT-TALL	\$ 53.56	87735118286	1.5	8	8	8
385310856	KIT, 500+ REINFORCEMENT-SHORT	\$ 62.26	87735118293	1	8	8	8
385310864	KIT,ACCESS LID MAG OPUS/PLAT	\$ 104.61	87735118385	5	12	4	4
385310873	KIT,SPRAY-EBONY	\$ 54.80	87735118477	2	3	3	3
385310879	KIT, BASE ASSY/24/MO 3058	\$ 697.37	87735118620	25	8	8	8
385310882	KIT,H'DWARE/FLANG TRAVELER L'T	\$ 24.28	87735118941	1	6	6	6
385310883	KIT, 3/4" ELBOW/UNISEAL	\$ 8.09	87735119122	1	0.75	0.75	1
385310885	KIT, INLET ELBOW	\$ 16.70	87735119146	1	1.5	1.5	1.5
385310887	KIT,MAG OPUS C BOARD-12/TRAV	\$ 694.88	87735119290	0.8	3	3	3
385310888	KIT,MAG OPUS C BOARD-12 VF	\$ 739.70	87735119306	10	3	3	3
385310889	KIT, TANK FULL PANEL	\$ 28.14	87735119313	1	3	3	3
385310890	KIT,MAG OPUS C BOARD-24 VF	\$ 739.70	87735119320	0.55	8	8	4
385310891	KIT, BASE 711-M28 - BONE	\$ 266.49	87735119412	8	8	8	4
385310892	KIT, MOGR12 RETROFIT	\$ 759.64	87735119429	3	3	3	3
385310893	KIT, MOVF12 RETROFIT	\$ 759.64	87735119436	3	3	3	3
385310894	KIT, MOVF24 RETROFIT	\$ 759.64	87735119443	3	3	3	3
385310895	KIT, 7" EXT INLET ELBOW	\$ 15.69	87735119511	3	1.5	1.5	7
385310897	KIT,T-PUMP QUICK CONN ELBOW	\$ 37.36	87735119603	0.6	10	6	2
385310899	KIT, SP HINGE PINS-PARCH	\$ 5.47	87735119832	1	1	1	1
385310900	KIT, SP HINGE PINS-WHT	\$ 5.47	87735119849	1	1	1	1
385310902	KIT, S/T-PUMP REPAIR	\$ 20.41	713814040345	0.2	1	1	1
385310903	KIT, BASE 749-WHITE	\$ 315.08	713814040321	8	8	8	8
385310904	KIT, PEDESTAL COVER 49-WHITE	\$ 25.67	713814040338	2	8	8	8
385310905	KIT, LEVEL IND'C 42HTS	\$ 194.27	713814072018	3	0	0	0
385310908	KIT, MO FLUSH SWITCH & CABLE	\$ 85.93	713814040437	0.5	2	2	2
385310909	KIT, HTS42 MID LEVEL INDIC'T	\$ 62.26	713814072025	1	0	0	0
385310910	KIT, BASE '48/PLASTIC PED-WHT	\$ 203.00	713814040895	8	8	8	8
385310911	KIT, BASE 1049 - WHITE	\$ 321.26	713814040925	8	18	12	12
385310912	KIT, BASE 1049 - BONE	\$ 321.26	713814040932	8	8	8	8
385310913	KIT, PEDESTAL COVER 49 - BONE	\$ 54.80	713814040949	2	8	8	8
385310914	KIT, SWIVEL ELBOW - HTS $\phi$	\$ 63.52	713814040956	0.5	1.5	1.5	3
385310915	KIT, HTS42 EMPTY LEVEL INDIC'T	\$ 77.21	713814072032	1.5	0	0	0
385310916	KIT, TW CAP 40 HTS W/DEUTSCH	\$ 151.93	713814041267	1.5	0	0	0
385310918	KIT, TMG CONTROL MOD AS/SH/12	\$ 441.20	713814044039	1.8	0	0	0
385310919	KIT, TMG CONTROL MOD AS/SH/24	\$ 441.20	713814044046	1.8	0	0	0
385310920	KIT, TMG CONTROL MOD AS/MH/12	\$ 441.20	713814044053	1.8	0	0	0
385310921	KIT, TMG CONTROL MOD AS/MH/24	\$ 441.20	713814044060	2	7.5	4.75	2.5
385310922	KIT, TMG CONTROL MOD MS/SH/12	\$ 441.20	713814044077	1.8	0	0	0
385310923	KIT, TMG CONTROL MOD MS/SH/24	\$ 441.20	713814044084	1.8	0	0	0
385310924	KIT, TMG CONTROL MOD MS/MH/12	\$ 441.20	713814044091	1.8	0	0	0
385310925	KIT, TMG CONTROL MOD MS/MH/24	\$ 441.20	713814044107	1.8	0	0	0
385310926	KIT, TMG CONT'L PNL AUTO START	\$ 331.31	713814044114	1.8	0	0	0
385310927	KIT, TMG CONT'L PNL AUTO/SEA'K	\$ 331.31	713814044121	1.8	0	0	0
385310928	KIT, TMG CONT'L PNL MAN START	\$ 331.31	713814044138	0.4	3.5	3.5	3.5
385310929	KIT, TMG CONT'L PNL MAN/SEA'K	\$ 331.31	713814044145	1.8	0	0	0
385310930	KIT, T12-Q'CON IN/NIP OUT-REV	\$ 475.71	713814072049	7.6	0	0	0
385310931	KIT, QUICK CONNECT ELBOW	\$ 42.33	713814072056	1	0	0	0
385310932	KIT, TANK 4012-HTS EC	\$ 341.22	713814072063	0	0	0	0
385310933	KIT, LEVEL IN'D 4012-MID	\$ 73.48	713814072070	0	0	0	0
385310934	KIT, LEVEL IN'D 4012-EMPTY	\$ 58.53	713814072087	2	0	0	0
385310935	KIT, VG EL OUTLET TO TANK	\$ 37.36	713814072094	0.3	0	0	0
385310936	KIT, DISCHARGE 149-ECOVAC	\$ 42.33	713814072100	0.5	6	6	6
385310937	OBSOLETE, SUBSTITUTE 385310660			0	0	0	0
385310938	KIT, INLET ELBOW 1"X 1-7/8"	\$ 38.61	713814072117	3	6	4	2
385310939	KIT, COM'P MTG INSERT HD TANK	\$ 37.36	713814072124	0.2	0	0	0
385310943	KIT, BASE 606; 1606-WHITE	\$ 203.00	713814072155	5	18	12	12
385310944	KIT, FUNNEL 09 (3938 SEAL)	\$ 67.25	713814072162	2	8	8	4



ITEM	DESCRIPTION	RETAIL	UPC	WGT	LEN	WID	HGT
385310946	OBSOLETE, SUBSTITUTE 385310660		713814045364	2	0	0	0
385310947	KIT, TANK 4020-HTS-EC	\$ 428.39	713814049782	25	29.5	15	14
385310948	KIT, LEVEL IN'D 4020-EMPTY	\$ 75.39	713814049799	1	12	9	3
385310949	KIT, LEVEL IN'D 4020-MID	\$ 75.39	713814049805	1	7	5	4
385310951	KIT, TANK 28G-HTS-EC	\$ 559.15	713814049812	25	44	19	26
385310954	KIT, BALL/BRASS SHAFT/P CART.	\$ 53.56	713814049386	0.5	8	10	0
385310955	KIT, DISCHARGE HOSE HTS-EC	\$ 62.26	713814072179	0.5	0	0	0
385310957	OBSOLETE, SUBSTITUTE 313535004			0	0	0	0
385310958	KIT, AD'J TANK LEVEL PROBE	\$ 47.33	713814041786	2	22	3	3
385310959	KIT, TANK FULL PROBE	\$ 51.06	713814041793	1	5	3	3
385310961	KIT,TL FL'G SEAL/45°SW'L FL'G	\$ 68.65	713814042141	1.5	3	3	3
385310962	KIT, FLUSH HANDLE-CHROME (MO)	\$ 39.55	713814042431	4	3	3	3
385310963	KIT, FLUSH HANDLE-GOLD (MO)	\$ 39.55	713814042448	4	3	3	3
385310964	KIT, FLUSH MECH (MO)	\$ 107.10	713814042455	4	3	3	3
385310965	KIT, ROCKER ST'CH/CABLE (MO)	\$ 84.69	713814042462	2	3	3	3
385310966	OBSOLETE, SUBSTITUTE 385314349		713814042479	2	0	0	0
385310968	KIT, MO FUNNEL 3006/3009	\$ 49.81	713814043988	1	5	5	5
385310969	KIT, MO HALFB'L/SHAFT AY-WHT	\$ 44.83	713814043971	2	3	3	3
385310971	KIT, MO HALFB'L/SHAFT AY-EBY^	\$ 48.59	713814043957	2	5	5	5
385310975	KIT, BASE LH WHITE-ECOVAC	\$ 272.72	713814072186	8	18	12	12
385310976	KIT, BASE LH BONE-ECOVAC	\$ 272.72	713814072193	8	18	12	12
385310977	KIT, 1-1/2" SWIVEL ELBOW	\$ 69.73	713814042783	2	0	0	0
385310978	KIT, BASE 09 - BONE	\$ 203.00	713814043926	8	8	8	8
385311001	KIT, CON'TO ACCESS C'VR-WHT	\$ 97.13	713814044633	5	7	3	3
385311002	KIT, CON'TO ACCESS C'VR-BONE	\$ 97.13	713814044640	5	7	3	3
385311003	KIT, CON'TO FLUSH SWITCH	\$ 34.87	713814044657	0.5	3	3	3
385311004	KIT, CON'TO FLUSH ASSY	\$ 53.56	713814044664	0.3	5	5	5
385311005	KIT, CON'TO SEAT & LID-WHT	\$ 66.34	713814044671	7	20	14.75	4
385311006	KIT, CON'TO SEAT & LID-BONE	\$ 66.34	713814044688	7	20	14.75	4
385311008	OBSOLETE, SUBSTITUTE 385311731		713814044701	55	23	14.75	19
385311009	KIT, PLUG IN BASE SEALS	\$ 39.55	713814044718	0.35	9	9	12
385311010	KIT, CON'TO SHAFT/HALF-BALL	\$ 46.08	713814044725	1.5	5	5	5
385311011	KIT, CON'TO L-BOLT/NUTS/WSHR	\$ 9.47	713814044732	1	2	2	2
385311012	KIT, CON'TO NYLON NUTS/WSHR	\$ 1.36	713814044749	1	1	1	1
385311013	KIT, CON'TO FLOOR FLANGE ADPT	\$ 40.83	713814044756	1.2	5	5	4
385311014	KIT, CON'TO FLUSH CABLE	\$ 54.80	713814044763	5	0	0	0
385311015	KIT, CON'TO BASE PULLEY	\$ 47.33	713814044770	2	0	0	0
385311016	OBSOLETE, SUBSTITUTE 385311900		713814044787	1.5	0	0	0
385311017	KIT, CON'TO RETURN SPRING	\$ 46.08	713814044794	1	0	0	0
385311018	KIT, PLUG-IN SUPPLY HOSE	\$ 36.11	713814044800	1	6	0.5	0.5
385311019	OBSOLETE, SUBSTITUTE 385310821		713814044817	2	4	4	4
385311020	KIT, CON'TO MT'G HARD-CHR	\$ 12.21	713814044824	1.5	2	2	2
385311021	KIT, CON'TO MT'G HARD-GOLD	\$ 36.11	713814044831	1.5	0	0	0
385311022	KIT, CON'TO MT'G HARD-BONE/WHT	\$ 34.87	713814044848	1.5	0	0	0
385311023	KIT, CON'TO FLUSH H'DL-CHR	\$ 26.89	713814044855	4	3	2	2
385311025	KIT, CON'TO FLUSH H'DL-NICK	\$ 51.06	713814044879	4	0	0	0
385311027	OBSOLETE, SUBSTITUTE 385310808		713814044893	1	2	4	6
385311028	OBSOLETE, SUBSTITUTE 385311900		713814044909	6	0	0	0
385311029	KIT, T-PUMP ELL-10HTS HULL TK	\$ 98.39	713814044930	0.5	1.5	1.5	1.5
385311030	OBSOLETE, SUBSTITUTE 385310660		713814044947	0	0	0	0
385311031	KIT, MID LEVEL FL'T 10G HULL	\$ 59.77	713814044954	0.25	2	0.75	0.75
385311032	KIT, EMPTY LEVEL FL'T 10G HULL	\$ 59.77	713814044961	0.25	2	0.75	0.75
385311033	KIT, 1" REDUCING ADAPTER	\$ 54.80	713814044978	0.5	2	1	1
385311034	KIT, TMG CONTROL MOD-GRADY WHT	\$ 599.00	713814044985	2	7.5	4.75	2.5
385311035	KIT, 42HTS VG INLET ASSY	\$ 48.59	713814047566	2	12	9	3
385311036	KIT, KEY-TM4 & TMG	\$ 6.73	713814045357	0.05	2	1	0.13
385311038	KIT, BASE 1007-WHITE	\$ 321.26	713814044251	8	8	8	8
385311039	KIT, BASE 1007-BONE	\$ 321.26	713814044268	8	8	8	8
385311040	KIT, VHT AP VALVE REP'L-ELX	\$ 39.85	713814046101	0.3	0	0	0
385311041	KIT,CONVERSION S TO W-PUMP 12	\$ 972.58	713814044497	5	8.25	2.75	3
385311042	KIT,CONVERSION S TO W-PUMP 24	\$ 972.58	713814044503	5	8.25	2.75	3

ITEM	DESCRIPTION	RETAIL	UPC	WGT	LEN	WID	HGT
385311043	KIT,CONVERSION S TO W-VG 12	\$ 972.58	713814044510	5	8.25	2.75	3
385311044	KIT,CONVERSION S TO W-VG 24	\$ 972.58	713814044527	5	8.25	2.75	3
385311051	OBSOLETE, SUBSTITUTE 385311050		713814045074	22	0	0	0
385311052	KIT, BASE '48 PLUGIN	\$ 180.57	713814045081	4	15	12	10
385311053	KIT, BASE '06 PLUGIN	\$ 696.17	713814045098	22	15	12	10
385311056	KIT, PLUGIN BASE '48 ADAPTER	\$ 42.33	713814044916	1.35	10	7.5	7.5
385311057	KIT, 3600 CHINA MTG	\$ 12.50	713814045692	0.24	0	0	0
385311058	KIT, 3600 CIRCUIT BOARD 12VDC	\$ 621.41	713814045708	1.291	0	0	0
385311059	KIT, 3600 CIRCUIT BOARD 24VDC	\$ 621.41	713814045715	0.7	0	0	0
385311061	KIT, 3600 SEAT & C'VR-WHITE	\$ 64.76	713814045739	7.55	0	0	0
385311062	KIT, 3600 SEAT & C'VR-BONE	\$ 64.76	713814045746	7.55	0	0	0
385311065	KIT, W-SERIES MOTOR REPL' 12V	\$ 287.67	713814044572	5	8.25	2.75	3
385311066	KIT, W-SERIES MOTOR REPL' 24V	\$ 287.67	713814044589	5	0	0	0
385311069	KIT, THR'D ELBOW W/HOSE ADAPT	\$ 28.14	713814047559	0.4	5	5	5
385311070	KIT, THR'D QUICK CON'T ADAPT	\$ 34.87	713814047542	0.5	7	5	4
385311071	KIT, CIR BOARD RETROFIT HARN	\$ 99.63	713814045128	0.5	0	0	0
385311073	KIT, VENT ELBOW-BARBED	\$ 30.75	713814045036	0.5	1.5	1.5	1.5
385311074	KIT, VG OULET ASSY-4012 TK	\$ 47.33	713814045043	1	18	12	12
385311075	KIT, TANK FULL W/DEUTSCH	\$ 57.29	713814045050	0.5	0.5	0.5	2
385311076	OBSOLETE, SUBSTITUTE 385310660		713814045371	2	0	0	0
385311077	OBSOLETE, SUBSTITUTE 385310660		713814045388	2	0	0	0
385311078	OBSOLETE, SUBSTITUTE 385310660		713814045395	2	0	0	0
385311079	KIT, BOWL 5000 SER-WHITE	\$ 203.00	713814045432	25.5	18.38	14.88	7.5
385311080	KIT, BOWL 5000 SER-BONE	\$ 203.00	713814045449	25.5	18.38	14.88	7.5
385311081	KIT, BASE '09/PLASTIC PED-WHT	\$ 203.00	713814045456	6.85	12.75	12.75	7
385311082	KIT, LEVEL IN'D (322503001)	\$ 103.37	713814047221	1	11.75	8.75	4.75
385311083	OBSOLETE, SUBSTITUTE 385311384		713814045463	1	6	4	2
385311084	KIT, BASE '47/PLASTIC PED-WHT	\$ 191.79	713814045470	3	0	0	0
385311085	KIT, BASE '47/PLASTIC PED-BONE	\$ 191.79	713814045487	3	0	0	0
385311086	KIT, BASE '48/PLASTIC PED-BONE	\$ 203.00	713814045494	3	12.75	12.75	7
385311087	KIT, BASE '49/PLASTIC PED-BONE	\$ 191.79	713814045500	3	0	0	0
385311088	KIT, BASE '06-BONE	\$ 203.00	713814045517	3	18	12	12
385311089	KIT, HD TK 1-1/2" HOSE REP'L	\$ 19.19	713814072209	1	0	0	0
385311090	KIT, TWCAP W/D'TSCH(322505001)	\$ 110.84	713814045562	4	48	5	5
385311091	KIT, VENT ELBOW INLET 3/4"	\$ 34.87	713814045579	0.3	0	0	0
385311092	KIT, INLET ELBOW W/SWIV CON	\$ 58.53	713814045586	1	5	4	7
385311094	KIT, BASE 1106-BONE	\$ 321.26	713814045777	3	12.75	12.75	4
385311095	KIT, HAND FLUSH LEVER	\$ 75.96	713814045784	2	4	4	1
385311096	KIT, LPVG REP'L TOP-MT VC SWT	\$ 494.40	713814045791	0	0	0	0
385311097	KIT, DIPTUBE EXT (320101002)	\$ 43.59	713814045807	5	12	2	2
385311098	KIT, TANKMG FACEP/MAN-GRADY	\$ 127.01	713814045869	0.2	0	0	0
385311099	KIT, ELBOW SWIVEL (SLIP X MPT)	\$ 90.91	713814045890	2.5	5	5	24
385311100	KIT, LPVG-W-PUMP ASSY 24VDC	\$ 864.24	713814045906	8	10	6	6
385311101	KIT, INLET EL/1-1/2P-SANISUMP	\$ 49.81	713814047337	1	6	6	6
385311102	KIT, LEVEL IN'D (322506901)	\$ 179.32	713814046002	0.8	0	0	0
385311103	KIT, SWITCH FLOAT & LOCK RING	\$ 43.59	713814046026	0.3	0	0	0
385311104	KIT, LEVEL INDICATOR 5-1/2"EMP	\$ 75.96	713814046033	0.5	7	5	4
385311105	KIT, LEVEL INDICATOR 3-7/8" MID	\$ 75.96	713814046040	0.5	7	5	4
385311106	KIT, VENT FILTER BRACKET	\$ 39.85	713814046057	0.7	0	0	0
385311107	KIT, LEVEL IND (600344923 TK)	\$ 103.37	713814046071	2	0	0	0
385311108	KIT, DIPTUBE TO T12(381231127)	\$ 67.25	713814046088	2	0	0	0
385311109	KIT, TRANS'N VGPLB(381231127)#	\$ 78.47	713814046095	0.5	0	0	0
385311110	KIT, SEALING GROMMET 2"	\$ 12.21	713814046644	0.25	6	6	0.75
385311111	KIT, SEALING GROMMET 1-1/2"	\$ 8.09	713814046651	0.05	6	6	0
385311112	KIT, SEALING GROMMET 3/4"	\$ 8.09	713814046668	0.25	6	6	0.75
385311113	KIT, INLET FITTING 3/4"X1-7/8"	\$ 34.87	713814046675	0.5	6	4	2
385311114	KIT, INLET FITTING 30MMX1.5MPT	\$ 42.33	713814046682	0.8	7	5	4
385311115	KIT, INLET FITTING 30MM	\$ 46.08	713814046699	0.8	7	5	4
385311116	KIT, TWCAP MID/FULL(322402013)	\$ 73.48	713814046705	0.8	6	6	6
385311117	KIT, MOUNTING HARDWARE-210	\$ 29.39	713814046729	0.15	6	5	1
385311118	KIT,LEVEL IND DEUT E/M/F-4040H	\$ 103.37	713814046866	0.3	0	0	0

ITEM	DESCRIPTION	RETAIL	UPC	WGT	LEN	WID	HGT
385311119	KIT, PR PEDAL & COVER-WHT	\$ 36.11	713814046736	0.85	9	6	6
385311120	KIT, PR PEDAL & COVER-BONE	\$ 36.11	713814046743	0.85	9	6	6
385311121	KIT, PR PEDAL & CART-WHT	\$ 42.33	713814046750	1.3	9	6	6
385311122	KIT, PR PEDAL & CART-BONE	\$ 42.33	713814046767	1.3	9	5	5
385311123	KIT, VENT FILT INSTALL 3/4"	\$ 34.87	713814072216	1	3	3	12
385311124	KIT, HAND SPRAY-WHITE	\$ 27.54	713814046774	0.5	8.25	8.25	5
385311125	KIT, HAND SPRAY BRKT-EBONY	\$ 26.89	713814046781	0.5	6	4	2
385311126	KIT, BASE SHROUD-WHITE	\$ 37.36	713814046798	2	15	12	10.5
385311127	KIT, BASE SHROUD-BONE	\$ 37.36	713814046804	2	15	12	10.5
385311128	KIT, BASE 210-WHITE	\$ 179.32	713814046811	5	15	12	10.5
385311129	KIT, BASE 210-BONE	\$ 183.70	713814046828	6	20	20	12
385311130	KIT, LEVEL IND (381231698)	\$ 124.54	713814072223	1	11.75	8.75	4.75
385311131	KIT, HAND SPRAY BRKT-CHROME	\$ 26.89	713814047122	0.5	5	6	1
385311132	KIT, DIPTUBE XTRA-UNIVERSAL	\$ 77.21	713814046972	0	0	0	0
385311133	KIT, LEVEL IN'D (322507001)	\$ 166.86	713814046989	0	0	0	0
385311134	KIT, 180° ELBOW	\$ 19.19	713814047320	1	6	2.5	6
385311135	KIT, 1" ELBOW	\$ 19.19	713814047306	0.5	6	10	0
385311137	KIT, BASE 209 - WHITE	\$ 303.85	713814047252	10	20	20	12
385311138	KIT, BASE 248 - WHITE	\$ 303.85	713814047269	10	20	20	12
385311139	KIT, WALL MT SWITCH-GRAVITY	\$ 51.06	713814047573	0.65	8	8	5
385311140	OBSOLETE, SUBSTITUTE 313404012		713814047597	0.75	5	5	5
385311141	KIT, FLUSH HANDLE-NICKLE	\$ 61.03	713814047580	0.5	2	4	6
385311142	KIT, WIRE HR-9/319012001	\$ 77.21	713814072230	3	7	7	4
385311143	KIT, WIRE HR-PNL /319012001	\$ 26.89	713814072247	2	6	4	2
385311144	KIT, WIRE HR-FUL PNL/319012001	\$ 20.41	713814072254	2	6	4	2
385311145	OBSOLETE, SUBSTITUTE 313530012		713814072261	0.8	5	5	5
385311146	KIT, LEVEL IND(322405509/10)	\$ 83.44	713814047603	2	14	6	6
385311147	KIT, TW CAP W/O VENT(D) 4020H	\$ 178.09	713814047894	5	24	4.75	4.75
385311148	KIT, VT MANIFOLD (317729300)	\$ 697.37	713814047900	20	36.25	22	21.5
385311149	KIT, TW CAP W/O VENT(D) 4040H	\$ 154.42	713814047917	5	24	4.75	4.75
385311150	KIT, QUICK CON ELBOW ASSY	\$ 43.59	713814047924	0.5	6	4	6
385311151	KIT, 4040VG MANIF'D(322404001)	\$ 317.56	713814047931	20	36.3	22	21.5
385311152	KIT, QUICK CON EL INLET	\$ 66.00	713814047948	1	6	6	6
385311156	KIT, T24-Q'CON IN/NIP OUT-REV	\$ 475.71	713814047665	9	12	8	8
385311157	KIT, INLET ELBOW LPVG-HTANK	\$ 47.33	713814047689	1	7	5	43
385311158	KIT, BASE 168-WHITE	\$ 361.14	713814047719	6	18	12	12
385311159	KIT, LEVEL IN'D 35/28+HTS W/DT	\$ 174.34	713814047733	0.85	0	0	0
385311160	KIT, VG MAN'F (381231754)	\$ 83.44	713814047771	1.5	15	12	10
385311161	KIT, VAC TESTER PLUG REP'L	\$ 51.06	713814047801	0.5	8	8	4
385311162	KIT, MTG HARDWARE VG TO HTS	\$ 16.70	713814072278	0.25	0	0	0
385311163	KIT, MTG HARDWARE PUMP TO TANK	\$ 17.10	713814048808	0.08	6	6	0.5
385311164	KIT, SEALING GROMMET 1/2"	\$ 20.41	713814072285	0.05	6	6	0.75
385311165	KIT, LPVG12 REP'L-322405513/14	\$ 1,150.66	713814047870	21	32.75	10.88	16.5
385311166	KIT, TPUMP QUICK CON ADAPTER	\$ 67.25	713814047887	0.3	0	0	0
385311167	KIT, 1/4 BEND DIPTUBE ELBOW	\$ 49.81	713814048013	2	6	4	2
385311168	KIT, LEVEL IN'D (322404004)	\$ 143.21	713814048020	0.5	6	4	2
385311169	KIT, INLET 45° 1-1/2"	\$ 44.83	713814048037	2	7	5	4
385311170	KIT, BASE '09 24VDC PLUGIN	\$ 735.97	713814072292	8	15	12	10
385311172	KIT, RETROFIT CIR'BD 3310/3410	\$ 481.94	713814048723	1	8	8	4
385311173	KIT, DB ELBOW (322022824)	\$ 51.06	713814048709	0.5	6	4	2
385311174	KIT, CONTROL MOD 3310/3410	\$ 392.29	713814048730	0.8	8	8	4
385311175	KIT, FLUSH ASSY 3310	\$ 95.89	713814048747	0.25	7	5	4
385311176	KIT, ROCKER SW'T W/CB 3310	\$ 73.48	713814048754	0.5	6	4	2
385311177	KIT, BASE 3310/3410PLUGIN CP'L	\$ 444.58	713814048761	8	15	12	10
385311178	KIT, LPVG24 REP'L-322405515/16	\$ 737.22	713814072308	12	32.75	10.87	16.5
385311179	KIT, PEDAL CV'R REP'L 210 WHT	\$ 23.61	713814072315	2	7	5.5	4.5
385311180	KIT, PEDAL CV'R REP'L 210 BONE	\$ 23.61	713814072322	0.25	6	4	2
385311181	KIT, CVT CAP & SEAL	\$ 36.11	713814049546	0.5	6	4	2
385311182	KIT, CVT HD TK-REP'L W/D'TUBE	\$ 582.79	713814049553	8	28.5	10.5	16.5
385311185	KIT, CVT SNAP ACTION SWITCH	\$ 36.11	713814049584	0.5	6	4	2
385311192	KIT, CVT INLET ELBOW	\$ 52.30	713814049652	0.2	0	0	0

ITEM	DESCRIPTION	RETAIL	UPC	WGT	LEN	WID	HGT
385311193	KIT, CVT INLET STRAIGHT	\$ 49.81	713814049669	0.5	0	0	0
385311194	KIT, CVT CORRUGATED HOSE	\$ 46.08	713814049676	0.5	6	4	2
385311196	KIT, CVT PUMP BODY COVER	\$ 41.11	713814049690	0.5	6	6	6
385311198	KIT, CVT COMPL DOCK UNIT-MAR	\$ 426.97	713814049713	5	18	12	12
385311200	KIT, WALL MT SW'T-GRAV 18' MON	\$ 89.66	713814048792	0.65	6	6	6
385311202	KIT, BOWL 3606-BONE	\$ 790.39	713814048785	47	26	20	18
385311203	KIT, LEVEL IN'D (381231096)	\$ 170.62	713814072339	0	0	0	0
385311204	KIT, HAND FLUSH LEVER/T-BIRD	\$ 193.02	713814072346	2	4	4	1
385311205	KIT, LEVEL IN'D 18HTS W/D'TSH	\$ 179.32	713814049010	4	24	4.75	4.75
385311206	KIT, VG OUTLET ASSY (18HTS)	\$ 75.96	713814049027	2.5	11.75	8.75	4.75
385311207	KIT, FULL FLOAT REPAIR 80HTS	\$ 97.13	713814049492	1	0	0	0
385311208	KIT, DB VALVE 2"-BLACK (2)	\$ 32.38	713814050016	0.15	4	4	2
385311209	KIT, 2" VALVE ADAPTER	\$ 36.11	713814050023	0.5	3	3	3
385311210	KIT, 2" TRANS FITTING TO 1.5"	\$ 36.11	713814050030	0.5	3	3	3
385311211	KIT, STR'GT HOSE FIT W/NUT-VG4	\$ 34.87	713814050047	1	7	6	2
385311212	KIT, 1-1/2" SWIVEL NUT	\$ 30.75	713814050054	0.5	3	3	2
385311213	KIT, PUMP MTG ORING TO TANK	\$ 30.75	713814050061	0.5	3	3	2
385311214	KIT, 2" DUCKBILL COLLAR	\$ 32.38	713814050078	0.5	3	3	3
385311215	KIT, SNAP-ON VAC SW'CH CVR-WHT	\$ 30.75	713814050085	0.5	5	3	3
385311216	KIT, VAC SWITCH ASSY SNAP-ON	\$ 135.74	713814050092	1	5	4	3
385311217	KIT, TANK ASSY-VG4	\$ 134.49	713814050108	8	15	8	10
385311218	KIT, ELBOW HOSE FIT W/NUT-VG4	\$ 34.87	713814050115	0.5	7	5	3
385311219	KIT, TANK SEAL-VG4	\$ 44.83	713814050122	0.5	21	16.5	1
385311220	KIT, JPUMP MTG HARDWARE	\$ 32.38	713814050139	1	6	5	1
385311221	OBSOLETE, SUBSTITUTE 385311229		713814050146	8	10	10	8
385311223	OBSOLETE, SUBSTITUTE 385311231		713814050160	1	5	5	2
385311224	KIT, S-SERIES MOTOR MTG HARD	\$ 32.38	713814050177	1	5	5	1
385311225	KIT, PUMP TOP-CLOSE W/SCREWS	\$ 46.08	713814050184	4	6	6	6
385311226	KIT, PUMP BELLOWS CLAMP KIT	\$ 36.11	713814050191	1	7	5	2
385311227	KIT, JPUMP BODY	\$ 47.33	713814050207	1.5	10	10	8
385311228	KIT, RELAY HARNESS-322021012	\$ 88.42	713814049287	2	6	4	2
385311229	KIT, JW12 PUMP REPLACEMENT	\$ 392.58	713814050214	8	10	10	8
385311230	KIT, JW24 PUMP REPLACEMENT	\$ 392.58	713814050221	8	10	10	8
385311231	KIT, PUMP COVER - JW	\$ 37.36	713814050238	0.5	5	4	3
385311232	KIT, DIPTUBE WYE FITTING 21HTS	\$ 72.23	713814049423	1.5	12	9	3
385311233	KIT, SLIP SEAL 1-1/2" REPL	\$ 10.80	713814049430	0.25	6	6	2
385311234	KIT, LEVEL IN'D W/DEUT-21HTS	\$ 102.11	713814049447	5	24	4.75	4.75
385311235	KIT, LEVEL IN'D - 21HTS	\$ 161.89	713814049454	2.5	24	4.75	4.75
385311236	KIT, VG4 TO HD TANK FITTING	\$ 58.53	713814049461	2	7	5	4
385311237	KIT, SLIP SEAL ADAPTER-VG4	\$ 29.39	713814049478	0.25	6	6	1
385311238	KIT, O'RING REPL-VG4 FITTINGS	\$ 4.08	713814050245	0.25	6	6	0.5
385311240	KIT, WIRE HARN 4'-GRADY WHT	\$ 43.59	713814072353	1	6	6	6
385311241	KIT, SEALING GROMMET 1"	\$ 38.61	713814049935	0.25	6	6	0.5
385311242	KIT, SEALING GROMMET 1-1/4"	\$ 46.08	713814049942	0.25	6	6	0.5
385311243	KIT, DIPTUBE ASSY-CVT	\$ 83.44	713814049737	2	14	6	6
385311244	KIT, DISCHARGE ELBOW-CVT	\$ 63.52	713814049744	1	14	6	6
385311245	KIT, DISCHARGE STR'T FIT-CVT	\$ 57.29	713814049751	1	14	6	6
385311247	KIT, 1-1/2 EL W/2 SWIVELS CON	\$ 74.72	713814049867	2	6	4	2
385311248	KIT, ELBOW TANK INLET 401208	\$ 56.04	713814049874	3	4	8	8
385311249	KIT, ELBOW 45° SWIVEL	\$ 52.30	713814050597	1.5	6	6	6
385311250	KIT, TW CAP ORING REPL	\$ 4.33	713814049881	0.5	6	6	0.5
385311251	KIT, 90° ELBOW FITTING	\$ 44.83	713814049898	0.2	7	5	2
385311252	KIT, FLANGED ADAPTER FITTING	\$ 41.11	713814049904	0.25	7	5	3
385311253	KIT, ADJ IND'V LEVEL IND'C-12"	\$ 61.03	713814072360	0.55	0	0	0
385311254	KIT, ADJ IND'V LEVEL IND'C 24"	\$ 62.26	713814072377	1.1	48	5	5
385311255	KIT, FLOOR FL'G SEAL & SPACER	\$ 29.39	713814050573	0.5	9	12	0
385311256	KIT, SEAL/SPACER (BULK 100)	\$ 1,575.31	713814050580	50	26	20	22
385311257	KIT, VG MANIFOLD 322003901	\$ 148.20	713814050740	3	0	0	0
385311258	OBSOLETE, SUBSTITUTE 385311267			0.5	80	8	2
385311259	KIT, OUTLET ASSY-HD TK C4/TM09	\$ 34.87	713814072384	2	8	8	4
385311260	KIT, VG4 STR'GT CON-RIGID PL'B	\$ 58.53	713814050986	0	0	0	0

ITEM	DESCRIPTION	RETAIL	UPC	WGT	LEN	WID	HGT
385311261	KIT, VG4 ELBOW CON-RIGID PL'B	\$ 63.52	713814050993	0.3	0	0	0
385311262	KIT, LEVEL IN'D(CHAP 10H/4012)	\$ 136.98	713814050832	0.5	6	4	2
385311263	KIT, RELAY 3/4-FULL ASSY	\$ 89.66	713814050849	0.5	6	4	2
385311264	KIT, 45° DIPTUBE FITTING	\$ 43.59	713814072391	1	7	5	4
385311265	KIT, TK INLT PLB-381231791/793	\$ 79.71	713814050917	0.3	0	0	0
385311266	KIT, LEVEL IN'D(381231791/793)	\$ 136.98	713814050924	0.5	6	4	2
385311267	KIT, FLOOR FLANGE SEAL-3938	\$ 21.79	713814050931	0.5	12	9	1
385311268	KIT, VHT COVER	\$ 69.73	713814051020	0.5	10	10	5
385311269	KIT, SWIVEL DISCHARGE ELBOW	\$ 52.30	713814051037	1	6	4	2
385311270	KIT, VHT DIPTUBE	\$ 58.53	713814051044	4	14	10	6.5
385311271	KIT, LEVEL IN'D(CHAP381231794)	\$ 127.01	713814051051	3	7	7	4
385311272	KIT, 1-1/2" CLOSE NIP (MACH'N)	\$ 44.83	713814051082	0.5	2	2	2
385311273	KIT, LEVEL IN'D-319018005/006	\$ 176.84	713814051099	2	12	9	3
385311274	KIT, LEVEL IN'D (319018007/008	\$ 176.84	713814051129	4	24	5	5
385311275	KIT, VG4 MOUNTING HARDWARE	\$ 33.64	713814051136	1	6	4	1
385311276	KIT, VG4 OUTLET EL-42HTS	\$ 64.76	713814072407	1	7	5	4
385311277	KIT, PANEL-3/4 & FULL TW	\$ 173.09	713814051280	1	6	4	2
385311278	KIT, VG4 OUTLET ASSY-18HTS	\$ 95.89	713814072414	2.5	11.75	8.75	4.75
385311280	KIT, TANK LEVEL PNL 201	\$ 298.88	713814072421	3	7	5	4
385311281	OBSOLETE, SUBSTITUTE 385311494		713814072438	3	7	5	4
385311282	KIT, TANK LEVEL PNL 301	\$ 267.75	713814072445	0.7	7	5	4
385311283	OBSOLETE, SUBSTITUTE 385311496		713814072452	3	7	5	4
385311284	KIT, T-PUMP INLET (319019001)	\$ 100.88	713814051389	5	20	12	8
385311285	KIT, LEVEL IN'D (322007001)	\$ 179.32	713814072469	2	12	9	3
385311286	KIT, BASE 711-M28 - WHITE	\$ 266.49	713814051587	5	10	12	15
385311287	KIT, M28 TANK-WHITE	\$ 386.05	713814051594	19	19.5	18	12
385311288	KIT, LEVEL INDICATOR 3-5/8"	\$ 67.63	713814051747	1	6	4	2
385311289	KIT, VG4(2) OUTLET ASSY	\$ 130.77	713814051754	5	15	12	10
385311290	KIT, ROCKER SWITCH-4300	\$ 74.72	713814051785	0.2	6	4	3
385311291	KIT, FLUSH ASSY 4310	\$ 90.91	713814051792	1	6	4	2
385311292	KIT, BASE RING INSERT	\$ 34.87	713814051808	0.5	7	5	1
385311293	KIT, BASE 4310/4410 ASSY	\$ 148.20	713814051815	8	10	12	15
385311294	KIT, O'RING PLUG-IN BASE	\$ 3.88	713814051822	0.5	6	6	1
385311295	KIT, MTG BRACKET 4300/4400	\$ 80.95	713814051839	3	12	9	3
385311296	KIT, ROTOR SHAFT CAM 4300/4400	\$ 38.61	713814051846	1	6	6	1
385311297	KIT, LINKAGE SPRING 4300/4400	\$ 38.61	713814051853	0.5	6	6	1
385311298	KIT, TERM BLK/WIRING 4300/4400	\$ 138.24	713814051860	1	6	4	2
385311299	KIT, MTR DRIVE ARM 4300/4400	\$ 37.00	713814051877	1	6	6	1
385311300	KIT, MOTOR REPL 4300/4400	\$ 132.00	713814051884	3	6	6	6
385311301	KIT, OVERRIDE SPRING 4300/4400	\$ 112.07	713814051891	2	6	4	2
385311302	KIT, OVERRIDE ASSY 4300/4400	\$ 48.59	713814051907	2	6	4	2
385311303	KIT, LINKAGE DRIVE 4300/4400	\$ 41.11	713814051914	2	8	8	4
385311304	KIT, BASE 4300/4400 COMPLETE	\$ 493.14	713814051921	7.2	10	12	15
385311305	KIT, DTM04 PNL/HARN 8-PIN DEUT	\$ 226.64	713814052041	0.5	7	5	4
385311306	KIT, VG4 INLET (322404005)	\$ 115.81	713814052010	4	12	12	12
385311307	KIT, VG4 PLUMB (322404006) ^	\$ 112.07	713814052133	4	9.25	9.25	4
385311308	KIT, TANK INLET (322404006)	\$ 49.81	713814052140	2	7	5	4
385311309	OBSOLETE, SUBSTITUTE 385311475		713814052157	5	6	6	6
385311310	KIT, TPUMP-VALVE FIT/322404006	\$ 72.23	713814052164	4	6	6	6
385311311	KIT, T24 W/HARNESS (322404006)	\$ 608.96	713814052171	8	10	8	8
385311312	KIT, BASE 3606 PLUGIN CP'T 12V	\$ 953.35	713814052027	8	15	12	10
385311313	KIT, BASE 3606 PLUGIN CP'T 24V	\$ 953.35	713814052034	8	15	12	10
385311314	OBSOLETE, SUBSTITUTE 385311323		713814052102	1	5	5	2
385311315	KIT, NIPPLE-RH THREADS	\$ 34.87	713814052201	0.1	3	2	2
385311316	KIT, VALVE ADAPTER-RH THREADS	\$ 34.87	713814052218	0.5	3	2	2
385311317	KIT, PUMP ADAPT TO DIPTUBE FIT	\$ 47.33	713814052225	0.5	3	2	2
385311318	KIT, TANK MTG SPINDLE	\$ 37.36	713814052232	0.5	2	2	2
385311319	KIT, 210 WHT/SHIP-LOOSE ITEMS	\$ 47.33	713814052058	2	8	8	2
385311320	KIT, 210 BONE/SHIP-LOOSE ITEMS	\$ 47.33	713814052065	2	8	8	2
385311321	KIT, 110 WHT/SHIP-LOOSE ITEMS	\$ 46.08	713814052072	2	8	8	2
385311322	KIT, 110 BONE/SHIP-LOOSE ITEMS	\$ 46.08	713814052089	2	8	8	2

ITEM	DESCRIPTION	RETAIL	UPC	WGT	LEN	WID	HGT
385311323	KIT, PUMP COVER - SW	\$ 42.33	713814052119	1	5	5	2
385311324	KIT, SPUMP TOP CLOSE W/SCREWS	\$ 44.83	713814052256	3	6	6	6
385311326	KIT, CVT HD TANK REPL	\$ 453.29	713814072476	9	20	10.5	12
385311327	KIT, DB VALVE 1-1/2"-RED (2)	\$ 29.39	713814052492	0.01	7	5	0
385311328	KIT, SWIVEL ELBOW ASSY	\$ 61.03	713814052621	1	6	4	2
385311329	KIT, 1-1/2" PUMP ELBOW	\$ 94.65	713814052638	1	6	6	6
385311330	KIT, VENT ELBOW - 1-1/2"	\$ 48.59	713814052539	2	6	6	6
385311331	KIT, TKMGR WIRE HARNESS - 10'	\$ 119.55	713814052546	5	6	6	6
385311332	KIT, LEVEL IN'D (381231821)	\$ 143.21	713814052560	3	12	9	3
385311333	KIT, TRANS'N VG PLB(381231821)	\$ 80.95	713814052577	2	12	9	3
385311334	KIT, TRANS TPUMP PLB-381231821	\$ 85.93	713814052584	5	18.5	4.75	20
385311335	KIT, QK CON'T EL W/ ADPT	\$ 63.52	713814052669	1	6	6	6
385311336	KIT, VG MANIFOLD 322504001	\$ 49.81	713814052676	1	6	6	6
385311337	KIT, INLET ELBOW W/ ADAPT	\$ 92.15	713814052683	3	15.75	14.62	2.18
385311338	KIT, QK CON'T ELBOW	\$ 62.26	713814052690	1	6	6	6
385311339	KIT, RELAY-TK FULL (381233216)	\$ 117.06	713814052720	1.5	6	4	2
385311340	KIT, LEVEL IN'D (381231823/82)	\$ 144.46	713814052775	1	6	4	2
385311342	KIT, 180° INLET	\$ 62.26	713814052799	2	6	6	6
385311343	KIT, VGLP MANIFOLD (322502701)	\$ 112.07	713814052805	5	8	8	4
385311344	KIT, THREADED TANK INLET	\$ 52.30	713814052812	2	6	6	6
385311345	KIT, ASSY T-FITTING(322502701)	\$ 69.73	713814052829	3	8	8	4
385311346	KIT, TWCAP W/D'TSCH(322502701)	\$ 149.44	713814052836	1	24	4.75	4.75
385311347	KIT, TRANS'N VG PLB(381231127)	\$ 67.25	713814072483	3	12	9	3
385311348	KIT, TANK INLET	\$ 46.08	713814053147	1.5	7	5	4
385311349	KIT, VG MANIFOLD 322007301	\$ 122.03	713814053178	4	15	12	10
385311350	KIT, TW CAP-322007301	\$ 156.91	713814053185	1.5	0	0	0
385311351	KIT, INDLV FW-M4.375/E8.750	\$ 127.01	713814054212	1	24.5	5	5
385311352	KIT, INDLV FW-M3.250/E6.875	\$ 127.01	713814054229	1	24.5	5	5
385311353	KIT, INDLV FW-M3.500/E5.250	\$ 136.98	713814054236	1	24	5	5
385311354	KIT, INDLV FW-M5.375/E10.750	\$ 128.27	713814054243	1	24.5	5	5
385311355	KIT, INDLV FW-M10.000/E22.500	\$ 140.73	713814054250	1	0	0	0
385311356	KIT, INDLV FW-M7.250/E13.750	\$ 128.27	713814054267	1	24.5	5	5
385311357	KIT, INDLV FW-M6.250/E12.500	\$ 128.27	713814054274	1	0	0	0
385311358	KIT, INDLV FW-M4.250/E9.000	\$ 127.01	713814054281	1	24.5	5	5
385311359	KIT, INDLV WT-M5.375/E10.750	\$ 127.01	713814054298	1	24.5	5	5
385311360	KIT, INDLV WT-M3.250/E6.875	\$ 127.01	713814054304	1	24.5	5	5
385311361	KIT, INDLV WT-M4.625/E9.250	\$ 127.01	713814054311	1	24.5	5	5
385311362	KIT, INDLV WT-M3.500/E5.250	\$ 136.98	713814054328	1	9	5.5	5.5
385311363	KIT, INDLV WT-M4.375/E8.750	\$ 127.01	713814054335	1	24.5	5	5
385311364	KIT, INDLV WT-M1.875/E3.750	\$ 125.79	713814054342	1	24.5	5	5
385311365	KIT, INDLV WT-M3.500/E7.250	\$ 127.01	713814054359	1	8	8	4
385311366	KIT, INDLV WT-M5.500/E10.000	\$ 127.01	713814054366	1	24.5	5	5
385311367	KIT, VG OUTLET FITTING EXT	\$ 54.80	713814053277	1	6	4	2
385311368	KIT, SW'VL EL DIPTUBE EXT.	\$ 92.15	713814053284	5	4.75	4.75	24
385311369	KIT, LEVEL IN'D 27HTS W/DT	\$ 145.71	713814072490	2	24	4.75	4.75
385311370	KIT, LEVEL IN'D HTS W/DT-4020	\$ 141.95	713814072506	3	8	8	4
385311371	KIT, LEVEL IN'D (322504601/02)	\$ 160.65	713814072513	3	8	4	8
385311372	KIT, LEVEL IN'D (322502901/02)	\$ 140.73	713814072520	2	6	6	6
385311373	KIT, LEVEL IN'D (322405513/14)	\$ 140.73	713814072537	4	24	4.75	4.75
385311374	KIT, LEVEL IN'D(318018005/06)N	\$ 183.06	713814072544	3	0	0	0
385311375	KIT, LEVEL IN'D (322503401/02)	\$ 158.16	713814072551	2	6	4	2
385311376	KIT, LEVEL INDICATOR HOLE PLUG	\$ 39.85	713814053628	0.5	10	6	0.5
385311377	KIT, LEVEL IN'D (35G HULL)	\$ 145.71	713814072568	3	24	4.75	4.75
385311378	KIT, BOWL 4800 SHORT-WHITE	\$ 669.56	713814053635	25	26	20	21
385311379	KIT, BOWL 4800 SHORT-BONE	\$ 669.56	713814053642	25	26	20	21
385311380	KIT, BOWL 4800 TALL-WHITE	\$ 669.56	713814053659	30	26	20	21
385311381	KIT, BOWL 4800 TALL-BONE	\$ 669.56	713814053666	30	26	20	21
385311382	OBSOLETE, SUBSTITUTE 385311618		713814053673	5	16	15	3
385311383	KIT, SEAT-CV'R 4800-BONE	\$ 130.77	713814053680	5.5	16	15	3
385311384	KIT, CHECK VALVE W/CORR'G HOSE	\$ 89.66	713814053697	0.4	6	4	2
385311385	KIT, WATER VLV 4800-12VDC	\$ 133.26	713814053703	2	6	4	2



ITEM	DESCRIPTION	RETAIL	UPC	WGT	LEN	WID	HGT
385311386	KIT, WATER VLV 4800-24VDC	\$ 134.49	713814053710	2	6	4	2
385311390	KIT, MOTOR REPL 4800-24VDC	\$ 129.51	713814053758	2	6	6	6
385311391	OBSOLETE, SUBSTITUTE 385311690		713814053765	1	6	4	2
385311392	KIT, DRIVE LINKAGE 4800	\$ 39.85	713814053772	1	7	5	4
385311393	KIT, FLUSH SPRING 4800	\$ 42.33	713814053789	0.5	6	6	1
385311394	KIT, MTG BRACKET 4800	\$ 70.99	713814053796	1	7	5	4
385311395	KIT, BASE 4806 PLUGIN COMP-12V	\$ 831.41	713814053802	6.5	18	12	12
385311396	KIT, BASE 4806 PLUGIN COMP-24V	\$ 831.41	713814053819	6	18	12	12
385311397	KIT, BASE 4809 PLUGIN COMP-12V	\$ 831.41	713814053826	5	18	12	12
385311398	KIT, BASE 4809 PLUGIN COMP-24V	\$ 831.41	713814053833	5	18	12	12
385311399	KIT, BASE 4848 PLUGIN COMP-12V	\$ 831.41	713814053840	7	18	12	12
385311400	KIT, BASE 4848 PLUGIN COMP-24V	\$ 831.41	713814053857	7	18	12	12
385311401	OBSOLETE, SUBSTITUTE 385343829		713814054021	3	18	15	3
385311402	OBSOLETE, SUBSTITUTE 385343831		713814054038	3	15.75	14.63	2.19
385311403	KIT, LEVEL IN'D (322402016)	\$ 144.46	713814054052	4	24	4.75	4.75
385311404	KIT, 180° INLET EL/SWIVEL NUT	\$ 82.18	713814054069	3	6	6	6
385311405	KIT, DIPTUBE EXT (322402016)	\$ 75.96	713814054076	4	24	4.75	4.75
385311406	KIT, LEVEL IN'D (28+ HTS)	\$ 145.71	713814072575	4	24	4.75	4.75
385311407	KIT, BOWL SEALS (BULK/50)	\$ 1,598.96	713814054557	23.6	15	12	10
385311408	OBSOLETE, SUBSTITUTE 385311395		713814054458	7	18	12	12
385311409	KIT, WALL MT SWITCH-GR/FL ONLY	\$ 58.53	713814054472	1	6	4	2
385311410	OBSOLETE, SUBSTITUTE 385311208		713814054601	5	8	8	5
385311411	KIT, UNIV DIPTUBE W/SWIVEL CON	\$ 85.93	713814054670	5	24	4.75	4.75
385311412	KIT, VG MANIFOLD 322504802	\$ 134.49	713814054687	3	8	8	4
385311413	KIT, OUTLET ASSY-STGT/SWVL CON	\$ 63.52	713814054694	4	6	6	6
385311414	KIT, VG OUTLET 322501401	\$ 75.96	713814054724	4	6	6	6
385311415	KIT, T-PUMP OUTLET 322501401	\$ 64.76	713814054731	4	7	5	4
385311416	KIT, LEVEL IN'D (322501401)	\$ 94.65	713814054748	4	6	4	2
385311417	KIT, BASE DRIVE ARMS	\$ 66.00	713814072582	1	6	4	2
385311418	KIT, 1" T-PUMP FIT - ELBOW	\$ 134.49	713814055165	1	6	4	2
385311419	KIT, 1" T-PUMP FIT-STRAIGHT	\$ 109.59	713814055172	1	8	8	4
385311420	KIT, SNAP-ON VAC SW'CH CVR-BLK	\$ 34.87	713814055035	0.5	6	5	3
385311421	KIT, DIPTUBE W/SWIVEL NUT	\$ 62.26	713814072599	4	24	4.75	4.75
385311422	KIT, PUMP COVER - TW	\$ 42.33	713814055271	0.5	2	3	4
385311423	KIT, TPUMP CONV S TO W - 12VDC	\$ 287.67	713814055288	5.75	9	5.5	5.5
385311424	KIT, TPUMP CONV S TO W - 24VDC	\$ 287.67	713814055295	8	9	5.5	5.5
385311426	KIT, 1-1/2" SWIVEL ELBOW	\$ 62.26	713814055189	2	6	6	6
385311427	KIT, EL TANK INLET LPVG 401208	\$ 64.76	713814055196	3	24	4.75	4.75
385311428	KIT, VENT FIT/ STRAIGHT 3/4"	\$ 37.36	713814055202	0.5	6	4	1
385311429	KIT, LINKAGE GUIDE BRACKET	\$ 12.82	713814055394	0.5	0	0	0
385311430	KIT, LEVEL IN'D (322002504)	\$ 157.54	713814055561	5	24	4.75	4.75
385311432	KIT, LEVEL IN'D (322508601/02)	\$ 153.17	713814055646	3	24	4.75	4.75
385311433	KIT, LEVEL IN'D (322503401/02)	\$ 94.65	713814055769	1	6	4	2
385311434	KIT, VENT ELBOW 1-1/2"	\$ 49.81	713814055776	1	6	4	2
385311435	KIT, VT4500 DIPTUBE W/ELBOW	\$ 67.25	713814055875	5	24	4.75	4.75
385311436	KIT, VACUUM SWITCH	\$ 124.54	713814055882	0.75	6	6	6
385311437	KIT, VT4500 MOUNTING FOOT	\$ 38.61	713814055899	4	10	6	2
385311438	KIT, VT4500 MOTOR ASSY	\$ 217.95	713814055905	6	6	6	6
385311439	KIT, VT4500 MOTOR REPL	\$ 141.95	713814055912	6	7	5	4
385311440	KIT, VT4500 AIRPUMP ASSY	\$ 95.89	713814055929	1	6	4	2
385311441	KIT, VT4500 DIPTUBE STRAIGHT	\$ 108.35	713814055936	4	12	9	3
385311442	KIT, VT4500 ECCENTRIC KIT	\$ 95.89	713814055943	4	7	5	1
385311443	KIT, 3/4-FULL PNL & HARNESS	\$ 113.33	713814055950	5	7	5	4
385311444	KIT, VT4500 DIPTUBE 3W/SWIVEL	\$ 112.07	713814055967	4	12	9	3
385311445	KIT, SLIP-ON ADPT LH THREADS	\$ 63.52	713814055974	1	7	5	2
385311446	OBSOLETE, SUBSTITUTE 385310685		713814055981	8	14	14	14
385311447	OBSOLETE, SUBSTITUTE 385310783		713814055998	8	14	14	14
385311448	OBSOLETE, SUBSTITUTE 385310682		713814056001	1	9	9	4
385311449	OBSOLETE, SUBSTITUTE 385310762		713814056018	1	8	8	4
385311450	KIT, AIRPUMP & MOTOR COMP'T	\$ 322.53	713814056025	6	10	10	5
385311451	OBSOLETE, SUBSTITUTE 385310686		713814056032	8	14	14	14

ITEM	DESCRIPTION	RETAIL	UPC	WGT	LEN	WID	HGT
385311452	OBSOLETE, SUBSTITUTE 385310784		713814056049	8	18	12	12
385311453	OBSOLETE, SUBSTITUTE 385310975		713814056056	8	18	12	12
385311454	OBSOLETE, SUBSTITUTE 385310976		713814056063	8	18	12	12
385311455	KIT, VT4511 DISCHARGE ELBOW	\$ 56.04	713814072605	2	7	5	2
385311456	KIT, CHECK VALVE	\$ 83.44	713814056124	0.25	6	4	2
385311457	KIT, LEVEL IN'D (314115324)	\$ 75.96	713814056087	1	6	4	2
385311458	KIT, MACH'D SSUMP TK-314115324	\$ 217.95	713814056094	1	10	10	5
385311459	KIT, SSUMP LESS PUMP-314115324	\$ 1,221.65	713814056100	4	10	10	5
385311460	KIT, INLET ASSY VG4 TO TK (39)	\$ 78.47	713814056155	1	12	9	3
385311461	KIT, 3-WAY VALVE MANF'D 504901	\$ 124.54	713814056179	4	12	9	3
385311462	KIT, SEAL NO HOLES 2001 & NEWR	\$ 38.61	713814065591	0.45	8	11	0
385311463	KIT, 4800 CHINA MTG	\$ 28.39	713814056315	0.5	6	6	2
385311464	KIT, LEVEL IN'D (18 HTS)	\$ 148.20	713814056377	3	4.75	4.75	4.75
385311465	KIT, INLET EXT-VG4	\$ 84.69	713814056360	1	7	5	4
385311466	KIT, DIPTUBE EXT'N 322001001	\$ 63.52	713814056759	2	7	5	4
385311467	KIT, DB-90° ELBOW INLET	\$ 72.23	713814056766	1	7	5	4
385311468	KIT, INDLV FW-M7.000/E15.500	\$ 122.03	713814056780	1	24	5	5
385311469	KIT, INDLV WT-M6.000/E13.000	\$ 120.79	713814056797	1	24	5	5
385311470	KIT, INDLV GW-M2.000/E4.500	\$ 119.55	713814056803	1	24	5	5
385311471	KIT, BASE ASSY MO3011(PLUGIN)	\$ 678.70	713814065614	8	12	15	10
385311472	KIT, FIT'G STRAIGHT 1-1/2"MPT	\$ 54.80	713814065621	0.5	7	5	2
385311473	KIT, VG TANK INLET CONNECTION	\$ 69.73	713814065638	1	7	5	4
385311474	KIT, LPVG PLUMBING-381231132	\$ 92.15	713814065737	3	12	9	3
385311475	KIT, VALVE 3-WAY 1-1/2FPT	\$ 222.92	713814065744	2	6	6	6
385311476	KIT, SWIVEL CONNECT/ADPT	\$ 85.93	713814065751	2	8	8	4
385311477	KIT, PANEL CV'R DTM04-BLK	\$ 58.53	713814065768	0.13	6	4	2
385311478	KIT, PANEL CV'R DTM04-WHT	\$ 58.53	713814065775	0.13	6	4	2
385311479	KIT, PANEL CV'R DTM08-BLK	\$ 58.53	713814065782	0.13	6	4	2
385311480	KIT, PANEL CV'R STM08-WHT	\$ 58.53	713814065799	0.13	6	4	2
385311481	KIT, PANEL CV'R DTM12-BLK	\$ 58.53	713814065805	0.13	6	4	2
385311482	KIT, PANEL CV'R DTM12-WHT	\$ 58.53	713814065812	0.13	6	4	2
385311483	KIT, CIRCUIT PNL-DTM04	\$ 130.77	713814065829	0.25	0	0	0
385311484	KIT, CIRCUIT PNL-DTM08	\$ 133.95	713814065836	0.25	6	4	2
385311485	KIT, CIRCUIT PNL-DTM12	\$ 130.77	713814065843	0.25	6	4	2
385311486	KIT, BENT LEVER/CART-SH'T BASE	\$ 78.47	713814065850	1	6	6	8
385311488	KIT, LEVEL IN'D (322506903/04)	\$ 146.94	713814065942	2	24	4.75	4.75
385311489	KIT, LEVEL IN'D (322502701)	\$ 152.91	713814066055	2	12	9	3
385311490	KIT, LEVEL IN'D 10HTS W/AMP	\$ 139.48	713814066161	1	12	9	3
385311491	KIT, 90° VENT FILTER ELBOW	\$ 58.53	713814066123	0.5	6	6	1
385311492	KIT, DIPTUBE ASSEMBLY-SHORT	\$ 61.40		5	8	8	4
385311493	KIT, TANK LEVEL PNL 201-WHT	\$ 322.53	713814066185	3	7	5	4
385311494	KIT, TANK LEVEL PNL 202-WHT	\$ 222.92	713814066192	3	7	5	4
385311495	KIT, TANK LEVEL PNL 301-WHT	\$ 222.92	713814066208	3	7	5	4
385311496	KIT, TANK LEVEL PNL 302-WHT	\$ 222.92	713814066215	3	7	5	4
385311497	KIT, PL'B ASSY (381231196)	\$ 154.42	713814066239	5	15	12	10
385311498	KIT, LEVEL IN'D/115TK-345676	\$ 148.20	713814066246	3	24	4.75	4.75
385311499	KIT, INLET ELBOW 4"	\$ 66.00	713814066253	2	6	6	6
385311500	KIT, LEVEL IN'D (322407003)	\$ 140.73	713814066307	3	24	4.75	4.75
385311501	KIT, RETROFIT TW4 TO DTM	\$ 43.59	713814067359	1	6	4	2
385311502	KIT, SANISUMP INLET 314115412	\$ 99.63	713814066321	4	8	8	4
385311503	KIT, SSUMP TANK MACH 314115412	\$ 211.70	713814066338	4	15	12	10
385311504	KIT, SSUMP 1-1/2" INLET-115412	\$ 69.73	713814066345	3	8	8	4
385311506	KIT, SSUMP TK LESS 12V P-412	\$ 1,474.45	713814066369	6	15	12	10
385311507	KIT, LPVG W/AMP(322503504/05)	\$ 1,140.70	713814066741	13	32.75	11	16.5
385311508	KIT, T12 W/AMP (322503504/05)	\$ 376.08	713814066758	7	12	8	8
385311509	KIT, LEVEL IN'D AMP/503504/05	\$ 139.48	713814066765	3	12	9	4
385311510	KIT, TANK SANISUMP (314115512)	\$ 72.23	713814067199	4	18	12	12
385311511	KIT, MTG BRKT SSUMP(314115512)	\$ 140.73	713814067205	5	28.5	10	16
385311512	KIT, CONTROL MOD(314115512)	\$ 214.19	713814067212	3	10	10	5
385311513	KIT, LEVEL IN'D (28 HTS)	\$ 143.21	713814067229	2	12	9	3
385311520	KIT, PT COVER/SEAT-PARCH	\$ 32.78	713814067632	1.5	0	0	0

ITEM	DESCRIPTION	RETAIL	UPC	WGT	LEN	WID	HGT
385311521	KIT, PT COVER/SEAT-PLAT/WHT	\$ 32.78	713814067649	1.5	0	0	0
385311522	KIT, PT 962 HOLDING TK-PARCH	\$ 51.44	713814067656	2.917	0	0	0
385311523	KIT, PT 962 HOLDING TK-PLAT	\$ 51.44	713814067663	2.917	0	0	0
385311524	KIT, PT 966 HOLDING TK-PARCH	\$ 84.69	713814067670	4.5	0	0	0
385311525	KIT, PT 966 HOLDING TK-PLAT	\$ 84.69	713814067687	4.5	0	0	0
385311528	KIT, AIRPUMP ASSY 970	\$ 41.11	713814067762	0.5	0	0	0
385311529	KIT, SEAT & COVER 970	\$ 32.00	713814067779	1.5	0	0	0
385311530	KIT, WATER CAP 970	\$ 10.83	713814067786	0.1	6	5	2
385311531	KIT, TOP TANK ASSY 970	\$ 88.58	713814067793	7	0	0	0
385311532	KIT, HD TK SPOUT CAP 970	\$ 12.21	713814067809	0.5	0	0	0
385311533	KIT, HD TK SPOUT & CAP 970	\$ 12.20	713814067816	0.5	0	0	0
385311534	KIT, HD TK 972/974 - TAN	\$ 62.52	713814067823	3.62	0	0	0
385311535	KIT, HD TK 972/974 - GRAY	\$ 62.52	713814067830	3.62	0	0	0
385311536	KIT, HD TK 975/976 - TAN	\$ 84.69	713814067847	4.266	0	0	0
385311537	KIT, HD TK 975/976 - GRAY	\$ 84.69	713814067854	4.266	0	0	0
385311538	KIT, LOCKING HANDLE/970 - TAN	\$ 14.08	713814067861	0.161	0	0	0
385311539	KIT, LOCKING HANDLE/970 - GRAY	\$ 14.08	713814067878	0.131	0	0	0
385311540	KIT, PEDESTAL COVER-500H/WHT	\$ 36.11	713814067946	5	12	18	18
385311541	KIT, PEDESTAL COVER-500H/BONE	\$ 36.11	713814067953	5	12	18	18
385311542	OBSOLETE, SUBSTITUTE 385230335		713814067960	0.2	6	4	2
385311543	OBSOLETE, SUBSTITUTE 385319056		713814067977	3	12	9	3
385311544	OBSOLETE, SUBSTITUTE 385319057		713814067984	3	12	9	3
385311545	KIT, WATER VALVE ASSY-12V	\$ 118.15	713814067991	0.5	6	4	2
385311546	KIT, WATER VALVE ASSY-24V	\$ 151.76	713814068004	0.6	6	4	2
385311547	KIT, SUPPLY HOSE-4800	\$ 94.99	713814068011	0.4	12	9	2
385311548	KIT, 4800W MODE SWITCH	\$ 71.82	713814068196	2	7	5	0.5
385311549	KIT, 4800W MODE SWITCH MTG BRK	\$ 59.08	713814068202	1	6	6	0.5
385311550	KIT, PIPE COUPLING INLET	\$ 48.66	713814068219	0.5	7	5	2
385311551	KIT, SHORT PAD/PEDAL COVER-WHT	\$ 60.24	713814068240	1	9	5.5	5.5
385311552	KIT, SHORT PAD/PEDAL COVER-BNE	\$ 60.24	713814068257	1	9	9	4
385311553	KIT, SHORT PAD LEVER/CART	\$ 48.66	713814068264	1.5	9	9	4
385311554	KIT, SHORT PAD/PEDAL/CART-PLAT	\$ 60.24	713814068318	1	9	9	4
385311555	KIT, SHORT PAD/PEDAL/CART-EB'Y	\$ 60.24	713814068325	1	9	9	4
385311556	KIT, LEVEL IN'D (322405102/03)	\$ 152.91	713814068356	2	12	9	3
385311557	KIT, LPVG ELBOW SWIVEL LONG	\$ 71.82	713814068394	1	7	5	3
385311558	KIT, BASE 506SP - BONE	\$ 378.80	713814068400	8	14	9.87	6.5
385311559	KIT, BASE SH'T GRAV S.PED-WHT	\$ 276.86	713814068424	8	15	12	10
385311560	KIT, BASE SH'T GRAV S.PED-BON	\$ 276.86	713814068431	8	15	12	10
385311561	KIT, BASE SH'T GRAV S.PED-PLT	\$ 334.79	713814068448	8	15	12	10
385311562	KIT, BASE SH'T GRAV S.PED-EBY	\$ 345.21	713814068455	8	15	12	10
385311563	KIT, LEVEL IN'D (35 HTS)	\$ 157.54	713814068486	2	24	4.75	4.75
385311565	KIT, RELAY12 (381233226)	\$ 217.78	713814068639	1	6	4	2
385311566	KIT, DTM04/BLK - CHAP	\$ 228.22	713814068653	2	6	6	6
385311568	KIT, TW CAP GREY WT/CHAP 40	\$ 188.83	713814068677	5	24	4.75	4.75
385311569	KIT, TW CAP FRESH WT/CHAP 40	\$ 188.83	713814068684	5	24	4.75	4.75
385311570	KIT, LEVEL IN'D(322003904/005)	\$ 167.98	713814068691	5	24	4.75	4.75
385311571	KIT, LEVEL IN'D (21 HTS)	\$ 158.71	713814068844	3	24	4.75	4.75
385311572	KIT, DIPTUBE W/TEE FIT'G-21HTS	\$ 106.57	713814068851	4	12	18	12
385311573	KIT, DIPTUBE 90° ELBOW	\$ 82.26	713814068875	3	24	4.75	4.75
385311574	KIT, OUTLET TO TANK/QUICK CON	\$ 86.89	713814068899	3	12	9	3
385311575	KIT, TPUMP DIPTUBE EL/SWIV CON	\$ 93.84	713814068905	4	24	4.75	4.75
385311576	KIT, LEVEL IN'D-18.5TK 344500	\$ 151.76	713814068950	3	12	9	3
385311577	KIT, SWIVEL DIP/W FITTING ASSY	\$ 93.84	713814068974	5	24	4.75	4.75
385311578	KIT, LEVEL IN'D (4068V)	\$ 157.54	713814069018	5	24	4.75	4.75
385311579	KIT, 12VDC RELAY	\$ 20.60	713814069186	0.1	0	0	0
385311580	KIT, 24VDC RELAY	\$ 20.60	713814069193	1	0	0	0
385311581	KIT, DB VALVE 2" BLACK (4)	\$ 33.60	713814069339	0.25	0	0	0
385311582	KIT, DB VALVE 2" M-RED (4)	\$ 240.95	713814069346	0.25	0	0	0
385311583	KIT, 180° EL W/SWIVEL CONNECT	\$ 82.26	713814069261	2	6	6	6
385311584	KIT, DIPTUBE STRAIGHT FITTING	\$ 74.14	713814069278	4	24	2.75	2.75
385311585	KIT, LEVEL IN'D (4053 TK)	\$ 113.53	713814069391	5	24	4.75	4.75

ITEM	DESCRIPTION	RETAIL	UPC	WGT	LEN	WID	HGT
385311586	KIT, LEVEL IN'D (37 GAL HD TK)	\$ 150.60	713814069452	3	8	8	4
385311587	KIT, DIPTUBE 90° LRG EL GLUED	\$ 78.77	713814069469	2	24	4.75	4.75
385311588	KIT, V. FILT REP'L 404005/008	\$ 74.14	713814072612	1	12	9	3
385311589	KIT, DTMG CM 24V-MULTI HD/AS	\$ 1,122.52	713814072629	2	9	9	4
385311590	KIT, WIRING HARN/8LT - AZURE	\$ 171.45	713814072636	2	9	9	4
385311591	KIT, TW CAP FRESH WT TK-AZURE	\$ 209.68	713814072643	2	24	5	5
385311592	KIT, TW CAP WASTE TK-AZURE	\$ 209.68	713814072650	2	24	5	5
385311593	KIT, DIPTUBE - AZURE	\$ 119.33	713814072667	1	24	5	5
385311594	KIT, WIRE HARN/12LT - AZURE	\$ 240.95	713814072674	2	9	9	4
385311595	KIT, LPVG-W-PUMP ASSY 12VDC	\$ 864.24	713814069902	8	10	6	6
385311596	KIT, DIP'T LRG SWEEP EL/NUT	\$ 90.36	713814069827	4	24	4.75	4.75
385311597	KIT, CON'TO SEAT & CVR-EBONY	\$ 149.44	713814069834	7	0	0	0
385311599	KIT, BASE 4310/4410 ASSY-EBONY	\$ 685.79	713814069858	8	15	12	10
385311600	KIT, BASE 4300/4400 COMP'T-EBY	\$ 1,055.33	713814069865	8	0	0	0
385311601	KIT, LPVG QUICK CONNECT STR'T	\$ 57.93	713814069889	0.5	6	4	2
385311602	KIT, LPVG QUICK CONNECT ELBOW	\$ 61.40	713814069896	0.5	7	5	4
385311603	KIT, TW CAP W/O VENT(D) 4055H	\$ 188.83	713814069940	4	24	4.75	4.75
385311604	KIT, TWCAP W/O VENT/DT-4030	\$ 187.67	713814072681	4	12	10	8
385311605	KIT, LEVEL IN'D (4068H)	\$ 155.23	713814072698	3	12	9	3
385311606	KIT, DIPTUBE/ELBOW/SEAL 9-5/8	\$ 54.46	713814069995	4	24	4.75	4.75
385311607	KIT, DIPTUBE/ELBOW/SEAL11-3/16	\$ 54.46	713814070007	5	24	4.75	4.75
385311608	KIT, INLET ELBOW (1PC)	\$ 42.87	713814070014	0.5	0	0	0
385311609	KIT, LEVEL IN'D(381231802/70G)	\$ 156.40	713814070106	5	24	4.75	4.75
385311610	KIT, DTD KEY SWITCH OFF/ON/MOM	\$ 92.01	713814070137	4	6	6	2
385311611	KIT, DTD01 PANEL COVER	\$ 76.50	713814070144	1	6	6	2
385311612	KIT, DTD MOUNTING HARDWARE	\$ 18.85	713814070151	1	6	6	1
385311613	KIT, DTD MOUNTING FRAME	\$ 75.39	713814070168	2	6	4	2
385311614	KIT, DTD01 CIRCUITBD 12VDC	\$ 92.01	713814070175	3	7	5	4
385311615	KIT, DTD01 CIRCUITBD 24VDC	\$ 93.12	713814070182	3	7	5	4
385311616	KIT, DTD CIRCUITBD HOUSING	\$ 55.42	713814070199	1	6	4	2
385311617	KIT, TW CAP W/O VENT-ORING	\$ 28.82	713814070212	1	7	5	3
385311618	KIT, SEAT/CVR SLOW-CLOSE/WHT	\$ 130.77	713814074357	5	18.5	15	2.5
385311619	KIT, SEAT/CVR SLOW-CLOSE/BONE	\$ 130.77	713814074364	5	18.5	15	2.5
385311620	KIT, DB VALVE 1-1/2"-BLACK (1)	\$ 19.95	713814074371	0.5	6	6	2
385311623	KIT,TK LVL/AMP M 7-1/2 E15-3/4	\$ 155.23	713814070946	4	24	4.75	4.75
385311624	KIT, DIPTUBE/ELBOW/SEAL-U'VSAL	\$ 62.55	713814070953	6	24	4.75	4.75
385311625	KIT,TK LVL/AMP M 3-7/8 E 7-7/8	\$ 152.91	713814070991	4	24	4.75	4.75
385311626	KIT, ADT VG-TK INLT(501801/02)	\$ 107.74	713814071004	4	12	9	3
385311627	KIT, PLUG 3/4"	\$ 54.46	713814071578	3	7	5	2
385311628	KIT, ADAPT 1/2"FPT X 1/2"FPT	\$ 53.28	713814071585	0.5	6	6	2
385311629	KIT, WHARN/DEUT-MARITEC 5'	\$ 410.08	713814071622	1	9	9	4
385311630	KIT, PLUMBING ASSY 322506905	\$ 120.48	713814071677	3	12	9	3
385311641	KIT, WATER VALVE 300	\$ 40.54	713814072827	0.15	7	5	1
385311646	KIT, SEAT/CVR-WHT 300	\$ 67.20	713814072872	2.8	21	19	5
385311647	KIT, SEAT/CVR-BONE 300	\$ 67.20	713814072889	3	21	19	5
385311648	KIT, SEAT BRKT COVERS-WHT 300	\$ 27.81	713814072896	0.05	5	5	1
385311649	KIT, SEAT BRKT COVERS-BONE 300	\$ 27.81	713814072902	0.05	5	5	1
385311650	KIT, SEAT MTG HARD-WHT 300	\$ 29.93	713814072919	0.05	5	5	2
385311651	KIT, SEAT MTG HARD-BONE 300	\$ 31.29	713814072926	0.05	5	5	2
385311652	KIT, MTG HARDWARE-WHT 300	\$ 32.43	713814072933	0.5	5	5	2
385311653	KIT, MTG HARDWARE-BONE 300	\$ 32.43	713814072940	0.5	5	5	2
385311654	KIT, MTG HARD CAP-WHT 300	\$ 28.96	713814072957	0.05	5	5	2
385311655	KIT, MTG HARD CAP-BONE 300	\$ 28.96	713814072964	0.05	5	5	2
385311656	KIT, PEDAL CVR CAP-WHT 300	\$ 27.72	713814072971	0.05	5	5	2
385311657	KIT, PEDAL CVR-BONE 300	\$ 27.72	713814072988	0.05	5	5	2
385311658	KIT, FLUSH BALL SEAL 310	\$ 32.43	713814073398	0.05	7	5	0.5
385311659	KIT, VAC TK MTG BRKT	\$ 11.08	713814073404	1.5	9	9	4
385311660	KIT, VAC TK MODULE SYS'T	\$ 470.32	713814073411	9	22.5	10	10
385311661	KIT, CONTROL MOD VTK SYS'T	\$ 567.83	713814073428	5	10	10	5
385311662	KIT, PLUMBING-317324002	\$ 121.43	713814073435	0	0	0	0
385311663	KIT, LEVEL IN'D (5"/10" DT)	\$ 155.47	713814073497	3	12	9	3

ITEM	DESCRIPTION	RETAIL	UPC	WGT	LEN	WID	HGT
385311664	KIT, PANEL CV'R DTMF-BLK	\$ 97.85	713814073534	0.5	6	6	1
385311665	KIT, PANEL CV'R DTMF-WHT	\$ 97.85	713814073541	0.5	6	6	1
385311666	KIT, CIRCUIT PNL-DTM04F	\$ 87.17	713814073558	0.5	6	10	1
385311667	KIT, MODULE M-PUMP INLET ASSY	\$ 144.83	713814073565	5	18.5	20.63	4.75
385311668	KIT, MODULE M-PUMP OUTLET ASSY	\$ 119.40	713814073572	5	12	9	3
385311669	KIT, MODULE M-PUMP CONTROL MOD	\$ 518.56	713814073589	5	8	8	4
385311670	KIT, MODULE M-PUMP ELBOW ASSY	\$ 82.02	713814073596	3	7	5	4
385311671	KIT, TW CAP W/ VENT-ORING	\$ 16.63	713814073602	1	5	6	3
385311672	KIT, LEVEL IN'D-322001802/1803	\$ 235.03	713814073725	4	24	4.75	4.75
385311673	KIT, FLUSH ACUATION SWITCH	\$ 19.91	713814074609	0.5	1	1	0.5
385311674	KIT, DTD02 PNL COVER-BLK	\$ 80.99	713814073923	0.5	7	5	1
385311675	KIT, DTD02 PNL COVER-WHT	\$ 78.95	713814073930	0.5	7	5	1
385311676	KIT, DTD02 CIRCUIT ASSY-12VDC	\$ 377.75	713814073947	2	7	5	4
385311677	KIT, DTD02 CIRCUIT ASSY-24VDC	\$ 377.75	713814073954	0	0	0	0
385311678	KIT, DTD01A PNL COVER-BLK	\$ 79.13	713814073961	0.5	7	5	1
385311679	KIT, DTD01A PNL COVER-WHT	\$ 85.88	713814073978	0.5	7	5	1
385311680	KIT, DTD01A CIRCUIT ASSY-12VDC	\$ 371.61	713814073985	2	7	5	4
385311681	KIT, DTD01A CIRCUIT ASSY-24VDC	\$ 371.61	713814073992	2	7	5	4
385311682	KIT, DTD02A PNL COVER-BLK	\$ 80.99	713814074005	0.5	7	5	1
385311683	KIT, DTD02A PNL COVER-WHT	\$ 78.95	713814074012	0.5	7	5	1
385311684	KIT, DTD02A CIRCUIT ASSY-12VDC	\$ 377.75	713814074029	2	7	5	4
385311685	KIT, DTD02A CIRCUIT ASSY-24VDC	\$ 377.75	713814074036	2	7	5	4
385311686	KIT, BULK-BALL/B.SFT/CART(25)	\$ 1,094.53	713814074074	5.5	18	12	12
385311687	KIT, TWCAP EXT FULL-322505001	\$ 445.65	713814074319	4	48	4.75	4.75
385311688	KIT, TWCAP EXT FULL-322507001	\$ 446.36	713814074326	4	48	4.75	4.75
385311689	KIT, TWCAP ET FULL-322002502/3	\$ 432.37	713814074333	4	24	4.75	4.75
385311690	KIT, CIRUITBD MECHANICAL BASE	\$ 458.94	713814074616	1	6	4	2
385311691	KIT, 4800 MODE SWITCH	\$ 55.42	713814074623	1	6	4	2
385311692	KIT, LEVEL IN'D (VT4500)	\$ 262.23	713814074708	0.5	6	4	2
385311693	KIT, LEVEL IN'D (10 HTS)	\$ 288.35	713814074685	1	12	9	3
385311694	KIT, SEAT-CV'R 4800 WOOD-WHITE	\$ 118.61	713814074715	10	18.5	15	2.5
385311695	KIT, SEAT-CV'R 4800 WOOD-BONE	\$ 118.61	713814074722	10	18.5	15	2.5
385311696	KIT, 310 BONE/SHIP-LOOSE ITEMS	\$ 38.23	713814075095	0.5	0	0	0
385311697	KIT, 310 WHT/SHIP-LOOSE ITEMS	\$ 38.23	713814075101	0.5	0	0	0
385311698	KIT, DIP'T LRG SWEEP EL/LG NUT	\$ 179.44		6	24	4.75	4.75
385311699	KIT, TWCAP W/DT (322403017)	\$ 258.33		5	24	4.75	4.75
385311700	KIT, LEVEL IN'D-322510001	\$ 229.07	713814075255	5	24	4.75	4.75
385311701	KIT, LEVEL IN'D-322505201	\$ 227.86	713814075262	5	24	4.75	4.75
385311702	KIT, 8100 FLUSH SWITCH ASSY	\$ 150.00	713814075279	0.25	6	6	6
385311703	KIT, 8700 FLUSH HAND SW/CABLE	\$ 106.06		0.5	6	4	2
385311704	KIT, 8700 FLUSH HAND ASY/CABLE	\$ 214.78		0.5	6	4	2
385311705	KIT, 8700 WATER VALVE MTG	\$ 129.71		0.5	6	6	2
385311706	KIT, 8700 PUMP OUTLET TUBE	\$ 128.70		1	10	10	5
385311707	KIT, MAC BOWLOUT FLAP'R VALVE	\$ 18.39		0.025	6	6	0.5
385311708	KIT, 8700 BOWL OUTLET TUBE	\$ 84.36		1	14	10	7
385311709	KIT, WATER VALVE-12VDC RETRO	\$ 120.79	713814078836	1	7	5	4
385311710	KIT, WATER VALVE-24VDC RETRO	\$ 120.79	713814078843	1	7	5	4
385311711	KIT, BASE 146-WHITE	\$ 220.50	713814075354	5	12	12	18
385311712	KIT, BASE 146-BONE	\$ 219.04	713814075361	5	12	12	18
385311713	KIT, DISCHARGE 146-ECOVAC	\$ 33.26	713814075378	3	7	5	4
385311714	KIT, W'ADPT--3/6DT-8DT	\$ 180.69	713814075781	1	6	4	2
385311715	KIT, CHECK VALVE W/HOSE-MT BRK	\$ 132.08		0	0	0	0
385311716	KIT, BASE 4806W	\$ 831.41	713814075798	8	18	12	12
385311717	KIT, 1/2" FPT SWIVEL ELBOW	\$ 13.31	713814075835	0.25	6	6	1
385311718	KIT, 310 WATER LINE ADAPTER	\$ 21.58	713814077174	0.5	6	4	2
385311719	KIT, 310 MOUNTING ADAPTER-WHT	\$ 55.42	713814077365	3	15.75	14.63	2.19
385311720	KIT, 310 MOUNTING ADAPTER-BONE	\$ 55.42	713814077372	3	15.75	14.63	2.19
385311721	KIT, BIDET FLUSH VALVE	\$ 46.56	713814075989	3	7	5	4
385311722	KIT, BIDET NOZZLE	\$ 38.80	713814075996	1	7	5	1
385311723	KIT, BOWL 8900 ST W/BIDET-WHT	\$ 600.83	713814076009	30	25	19.5	18
385311724	KIT, BOWL 8900 ST W/BIDET-BONE	\$ 650.71	713814076016	30	25	19.5	18

ITEM	DESCRIPTION	RETAIL	UPC	WGT	LEN	WID	HGT
385311725	KIT, BOWL 8900 TL W/BIDET-WHT	\$ 600.83	713814076023	35	26	20	22
385311726	KIT, BOWL 8900 TL W/BIDET-BONE	\$ 650.71	713814076030	35	26	20	22
385311727	KIT, BIDET CHECKVALVE	\$ 78.71		0.5	7	5	1
385311728	KIT, CONVER'N 8900 12V TO 24V	\$ 221.70		5.05	9	5.5	5.5
385311729	KIT, BASE 4310/4410 COMP'T-WHT	\$ 888.58	713814076450	8	18	12	12
385311730	KIT, BOWL 4300/4400/4700-WHITE	\$ 669.56	713814076467	55	23	14.75	19
385311731	KIT, BOWL 4300/4400/4700-BONE	\$ 669.56	713814076474	55	23	14.75	19
385311732	KIT, BOWL 4300/4400/4700-EBONY	\$ 885.75	713814076481	55	23	14.75	19
385311733	KIT, M.OVERRIDE ROD GUIDE-WHT	\$ 46.01	713814076498	0.5	7	5	1
385311734	KIT, M.OVERRIDE ROD GUIDE-BONE	\$ 45.67	713814076504	0.5	7	5	1
385311735	KIT, M.OVERRIDE ROD GUIDE-EBY	\$ 45.67	713814076511	0.5	7	5	1
385311736	KIT, M.OVERRIDE ASSY 4310/4410	\$ 43.84	713814076528	1	7	5	2
385311737	KIT, BASE 4310/4410 COMP'T-EBY	\$ 888.58	713814076535	8	18	12	12
385311738	KIT, BASE 4829 W/BIDET COMP-12	\$ 1,118.52	713814076702	8	18	12	12
385311739	KIT, BASE 4829 W/BIDET COMP-24	\$ 1,118.52	713814076719	8	18	12	12
385311740	KIT, BASE 4826 W/BIDET COMP-12	\$ 1,118.52	713814076726	8	18	12	12
385311741	KIT, BASE 4826 W/BIDET COMP-24	\$ 1,118.52	713814076733	8	18	12	12
385311742	KIT, BASE 4828 W/BIDET COMP-12	\$ 1,118.52	713814076740	8	18	12	12
385311743	KIT, BASE 4828 W/BIDET COMP-24	\$ 1,118.52	713814076757	8	18	12	12
385311744	KIT, BOWL 4800 TL W/BIDET-WHT	\$ 182.92	713814076764	68	26	20	22
385311745	KIT, BOWL 4800 TL W/BIDET-BONE	\$ 202.87	713814076771	68	26	20	22
385311746	KIT, BOWL 4800 ST W/BIDET-WHT	\$ 182.92	713814076788	60	26	20	22
385311747	KIT, BOWL 4800 ST W/BIDET-BONE	\$ 202.87	713814076795	60	26	20	22
385311748	KIT, BASE 4709 12VDC	\$ 831.41	713814076924	8	18	12	12
385311749	KIT, BASE 4709-24VDC	\$ 831.41	713814076931	8	18	12	12
385311750	KIT, OV'RIDE SWITCH HOUS'G-WHT	\$ 37.06	713814076948	0.5	6	6	1
385311751	KIT, OV'RIDE SWITCH HOUS'G-BON	\$ 36.73	713814076955	0.5	0	0	0
385311752	KIT, MAN OV'RIDE SWITCH ASSY	\$ 101.92	713814076962	0.5	5	7	1
385311753	KIT, 4700 FLSH/STAT SPLIT HARN	\$ 266.54	713814076979	1	2	4	6
385311754	KIT, BASE 4748-12VDC	\$ 831.41	713814076986	8	18	12	12
385311755	KIT, BASE 4748-24VDC	\$ 831.41	713814076993	8	18	12	12
385311756	KIT, INLET ASSY (322501501)	\$ 96.45	713814077075	4	15	12	10
385311757	KIT, LEVEL IN'D (322501501)	\$ 192.89	713814077082	2	7	5	4
385311758	KIT, BOWL 8600 TALL-WHT	\$ 600.83	713814077242	35	26	20	22
385311759	KIT, BOWL 8600 TALL-BONE	\$ 650.71	713814077259	35	26	20	22
385311760	KIT, PUMP OUTLET TUBE-8600	\$ 195.07	713814077266	2	15	12	10
385311761	KIT, BOWL OUTLET TUBE-8600	\$ 77.23	713814077273	2	14	10	6.5
385311762	KIT, MOTOR SUPT STRAP-26"	\$ 33.90	713814077280	0.5	10	6	1
385311763	KIT, BOWL 8600 SHORT-WHT	\$ 600.83	713814077297	30	25	19.5	18
385311764	KIT, BOWL 8600 SHORT-BONE	\$ 650.71	713814077303	30	25	19.5	18
385311765	KIT, TWCAP ASSY W/VENT	\$ 22.18	713814077747	1.5	6	6	6
385311766	KIT, TWCAP ASSY W/O VENT	\$ 22.18	713814077754	1.5	6	6	6
385311767	KIT, 2" VENTED LOOP; SS	\$ 381.31	713814077488	2	14	9.88	6.5
385311768	KIT, 8600 SHORT BOWL-WHITE	\$ 600.83	713814077495	36	25	19.5	18
385311769	KIT, 8600 SHORT BOWL-BONE	\$ 650.71	713814077501	36	25	19.5	18
385311770	KIT, VENT ELBOW	\$ 29.93	713814077648	0.025	6	6	1
385311771	KIT, DBL QUARTER ELB/PIPE	\$ 28.21	713814077761	0.25	6	6	6
385311772	KIT, BASE '09/METAL LEVER-WHT	\$ 318.80	713814077709	8	18	12	12
385311774	KIT, RELAY SPDT 12V VF4	\$ 25.67		0.5	6	4	2
385311775	KIT,SSUMP TK/NO PUMP-314115001	\$ 769.68		5	18	12	12
385311776	KIT, PLUMB'G SANIS'P-314115001	\$ 153.00	713814077938	3	12	9	3
385311777	KIT, SUPPLY HOSE-FEM THD 4800	\$ 109.75	713814077945	2	12	9	2
385311778	KIT, TUBE OUTLET TALL-M'FLUSH	\$ 144.11	713814077952	1	10	8	2
385311779	KIT, MAC MOTOR MTG STRAP-32"	\$ 54.32	713814077969	0.5	10	6	2
385311780	KIT, BRASS SPINDLES BULK 100PC	\$ 179.38	713814077976	1.95	0	0	0
385311781	KIT, 8700 FLUSH SWITCH CABLE	\$ 179.18	713814078010	4	12	18	2
385311782	KIT, PLUMB'G DIPT-PUMP 39HTS	\$ 108.82	713814078034	2	8	6	2
385311783	KIT, DTD02-322003907	\$ 612.84	713814078041	1	6	6	4
385311784	KIT, VG PLUMB'G 322003908	\$ 164.74	713814078249	4	9	6	3
385311785	KIT, CIRCUITBREAKER 10 AMP	\$ 60.98	713814078270	0.05	3	3	2
385311786	KIT, CIRCUITBREAKER 5 AMP	\$ 102.31	713814078287	0.5	3	3	2



ITEM	DESCRIPTION	RETAIL	UPC	WGT	LEN	WID	HGT
385311787	KIT, BEZEL/OVERLAY BLK-DVS02	\$ 46.85	713814078294	0.5	3	3	2
385311788	KIT, BEZEL/OVERLAY WHT-DVS02	\$ 25.72	713814078300	0.5	3	3	2
385311789	KIT, C'BOARD 12VDC-DVS02	\$ 257.34	713814078317	1	4	4	4
385311790	KIT, C'BOARD 24VDC-DVS02	\$ 257.34	713814078324	1	4	4	4
385311791	KIT, DIPTUBE W/3-WAY ELBOW	\$ 148.63	713814078348	5	15	12	10
385311792	KIT, LEVEL IN'D (322404013)	\$ 244.88		3	12	9	2
385311793	KIT, DIPTUBE VHT5201	\$ 98.42	713814079055	1.9	0	0	0
385311794	KIT, SVS INLET ELBOW	\$ 81.11	713814079062	0.5	0	0	0
385311795	KIT, SVS AIR PUMP MTG HARDWARE	\$ 46.50	713814079079	0.25	0	0	0
385311798	KIT, RELAY HARNESS (381233325)	\$ 229.71	713814078508	2	10	6	2
385311799	KIT, M-PUMP COVER HARDWARE	\$ 18.53	713814078515	0.34	0	0	0
385311800	KIT, M-PUMP COVER & HARDWARE	\$ 385.27	713814078522	2.6	0	0	0
385311801	KIT, MPUMP GEAR REDUCER VENT	\$ 32.89	713814078539	0.24	0	0	0
385311802	KIT, MTR 1/2HP-115V-60HZ-TEFC	\$ 1,174.19	713814078546	20.4	0	0	0
385311803	KIT, MTR 1/2HP-115V-50HZ-TEFC	\$ 1,370.89	713814078553	26.2	0	0	0
385311804	KIT, MTR 1/2HP-115V-60HZ-EXPRF	\$ 2,489.16	713814078560	26.2	0	0	0
385311805	KIT, MTR 1/2HP-115V-50HZ-EXPRF	\$ 1,990.37	713814078577	26.4	0	0	0
385311806	KIT, MTR 1/2HP-12VDC	\$ 1,946.55	713814078584	26.4	0	0	0
385311807	KIT, MTR 1/2HP-24VDC	\$ 1,831.88	713814078591	26.4	0	0	0
385311808	KIT, MTR 3/4HP-115V-60HZ-TEFC	\$ 751.48	713814078607	30.7	0	0	0
385311809	KIT, MTR 3/4HP-115V-50HZ-TEFC	\$ 1,566.45	713814078614	36.5	0	0	0
385311810	KIT, MTR 3/4HP-115V-60HZ-EXPRF	\$ 1,611.58	713814078621	36.5	0	0	0
385311811	KIT, MTR 3/4HP-115V-50HZ-EXPRF	\$ 2,260.11	713814078638	36.5	0	0	0
385311812	KIT, MPUMP GEAR RED'R 20:1	\$ 2,374.38	713814078645	29	0	0	0
385311813	KIT, MPUMP GEAR RED'R 30:1	\$ 2,421.63	713814078652	29	0	0	0
385311814	KIT, MPUMP MOTOR MTG HARDWARE	\$ 19.07	713814078669	0.061	0	0	0
385311815	KIT, MPUMP OUTPUT SHAFT/KEY	\$ 90.06	713814078676	1.37	0	0	0
385311816	KIT, MPUMP ECCENTRIC	\$ 174.42	713814078683	0.98	0	0	0
385311817	KIT, MPUMP CONNECTING ROD	\$ 134.88	713814078690	1.18	0	0	0
385311818	KIT, MPUMP TOP CLOSURE	\$ 645.62	713814078706	7.25	0	0	0
385311819	KIT, MPUMP TOP-CLOSE MTG HARD	\$ 22.95	713814078713	0.5	0	0	0
385311820	KIT, MPUMP GEAR RED'R MTG HARD	\$ 19.63	713814078720	0.45	0	0	0
385311821	KIT, MPUMP UPPER DIAP'H PLATE	\$ 196.51	713814078737	1.9	0	0	0
385311822	KIT, MPUMP DIAPHRAGM	\$ 150.46	713814078744	0.8	0	0	0
385311823	KIT, MPUMP LOWER DIAP'H PLATE	\$ 228.94	713814078751	1.3	0	0	0
385311824	KIT, MPUMP CONNECT'G ROD SCREW	\$ 16.85	713814078768	0.27	0	0	0
385311825	KIT, MPUMP VALVE HS'G MTG HARD	\$ 18.68	713814078775	0.4	0	0	0
385311826	KIT, INLET FLG 1-1/2"FMAL NPT	\$ 199.79	713814078782	1.2	0	0	0
385311827	KIT, MPUMP VALVE HOUSING	\$ 419.86	713814078799	2.26	0	0	0
385311828	KIT, MPUMP MTG PLATE/HARDWARE	\$ 436.27	713814078805	2.7	0	0	0
385311829	KIT, MPUMP BODY/MTG PLATE/HARD	\$ 1,603.04	713814078812	14	0	0	0
385311830	KIT, OUTLT FLG 1-1/2"FMAL NPT	\$ 303.71	713814078829	2.6	0	0	0
385311831	KIT, B-PUMP DIAPHRAGM	\$ 167.38	713814078881	0.08	8	8	4
385311832	KIT, TANK LEVEL VHT 5200/DT	\$ 126.54	713814079109	1	0	0	0
385311833	KIT, 3/4 FULL PANEL/DT	\$ 178.45	713814079116	0.25	0	0	0
385311834	KIT, VHT5200 TKLEVEL HARN W/DT	\$ 82.19	713814079123	1.5	0	0	0
385311835	KIT, BULK 'LIFT TO ADD' LABEL	\$ 101.21	713814079192	0.024	5	7	0
385311836	KIT, BULK-ORING 2"X2.25"X.125"	\$ 20.38	713814079208	0.049	6	6	0
385311837	KIT, BULK-ORING 3"X3.25"X.125"	\$ 24.05	713814079215	0.07	6	6	0
385311838	KIT, BULK 1-1/2" SL GROM'T(10)	\$ 42.82	713814079222	1.024	9	12	0
385311839	KIT, BULK 1/2" SL GROM'T (10)	\$ 22.90	713814079239	0.178	5	7	0
385311840	KIT, BULK 2" SL GROM'T (10)	\$ 36.39	713814079246	1.331	9	12	0
385311841	KIT, BULK-ORING SLIDE VALVE	\$ 98.60	713814079253	1.47	9	12	0
385311842	KIT, BULK-OPR INSTRUCTIONS VF	\$ 82.65	713814079260	0.024	5	7	0
385311843	KIT, T-PUMP VALVE NIPPLE	\$ 32.28	713814079277	0.189	5	7	0
385311844	KIT, S-PUMP BODY	\$ 54.08	713814079284	1.095	8	8	4
385311845	KIT, CAP VINYL 2.125-28 GRN	\$ 8.83	713814079291	0.045	5	7	0
385311846	KIT, 3.75 HOSE CLAMP	\$ 9.33	713814079307	0.135	5	7	0
385311847	KIT, RELAY SPDT 12V 40/30 AMP	\$ 14.32	713814079314	0.077	6	6	0
385311848	KIT, KEY SWITCH SP 3-POSTION	\$ 43.45	713814079321	0.114	6	6	0
385311849	KIT, BULK-REP'L POP 310 CARTON	\$ 234.31	713814079338	3.909	25.75	20.25	25

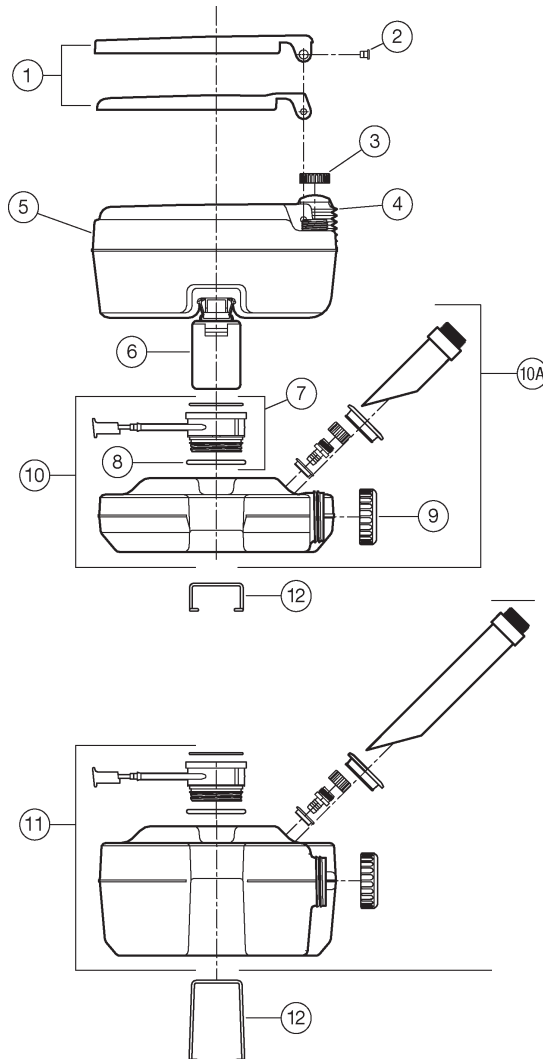
ITEM	DESCRIPTION	RETAIL	UPC	WGT	LEN	WID	HGT
385311850	KIT, BULK-FLANGED ADAPTER (50)	\$ 313.72	713814079345	13.35	15	12	10
385311851	KIT, W'VALVE 12V-8640/49/80/89	\$ 60.56	713814079437	1	7	5	2
385311852	KIT, W'VALVE 24V-8640/49/80/89	\$ 60.56	713814079444	1	7	5	2
385311853	KIT, BOWL SHORT 864086/49-WHT	\$ 156.82	713814079451	36	25	19.5	18
385311854	KIT, BOWL TALL 8680/8689-WHT	\$ 156.82	713814079468	35	26	20	22
385311856	KIT, PL'G FITTING ASSY	\$ 100.58	713814079802	2	0	0	0
385311857	KIT, TK LEVELS-DT EMF (4012)	\$ 248.75	713814079819	1	0	0	0
385311858	KIT, T-PUMP BODY	\$ 114.21	713814081621	1.095	8	8	4
385311860	KIT, BULK FLOOR FLANGE GKT-175	\$ 1,047.97	713814081645	18	17	15	16
385311865	KIT, BULK-SPUMP NIPPLE (20)	\$ 128.70	713814081843	2.184	9	9	4
385311866	KIT, BULK-SPUMP VALVE ADT (20)	\$ 128.70	713814081850	2.087	8	8	4
385311867	KIT, BOWL 4600 SHORT-WHT	\$ 669.50	713814082154	30	26	20	21
385311868	KIT, BOWL 4600 SHORT-BONE	\$ 669.50	713814082161	30	26	20	21
385311869	KIT, CORRUGATED HOSE	\$ 19.57	713814082178	0.25	0	0	0
385311870	KIT, BOWL 4600 TALL-WHITE	\$ 669.50	713814082185	55	23	14.75	19
385311871	KIT, BOWL 4600 TALL-BONE	\$ 669.50	713814082192	55	23	14.75	19
385311875	KIT, MF CONTROL MOD - (DBH)	\$ 504.70	713814082208	3	0	0	0
385311876	KIT, TANK SSUMP-314115002	\$ 353.65	713814197827	2	0	0	0
385311877	KIT, 1" VENT FITTING	\$ 29.20	713814197834	0.25	0	0	0
385311878	KIT,SSUMP TK/NO PUMP-314115002	\$ 907.38	713814197841	5	0	0	0
385311887	KIT, SEAT/CVR SLOW-CLS RD/WHT	\$ 136.23	713814199357	4	0	0	0
385311893	KIT, BASE '08/PLASTIC PED-WHT	\$ 321.26	713814199524	8	0	0	0
385311894	KIT, BASE '08/PLASTIC PED-BONE	\$ 321.29	713814199531	8	0	0	0
385311898	KIT, 1-1/2" HOSE CLAMPS	\$ 30.90	713814201029	0.25	0	0	0
385311899	KIT, TEE FITTING OUTLET	\$ 73.13	713814201050	0.6	0	0	0
385311901	KIT, TERM BLK/WIR'R-302481510	\$ 46.35	713814201098	1	0	0	0
385311902	KIT, BASE 4810 PGIN CPT-12V	\$ 827.09	713814201104	6.5	0	0	0
385311934	KIT, BOWL 8700-WHITE	\$ 429.28	713814202620	60	23.5	15.5	21.5
385311935	KIT, BOWL 8700-BONE	\$ 429.28	713814202637	60	23.5	15.5	21.5
385311936	KIT, BOWL 8700-EBONY	\$ 772.50	713814202644	60	23.5	15.5	21.5
385314349	KIT, WATER VALVE	\$ 42.33	87735102483	0.2	8	5	0
385314362	KIT, 911-M28 VENT FITTING	\$ 24.28	87735105699	1	1.5	1.5	6
385316140	KIT, SEAL W/HOLES 2000 & OLDER	\$ 38.61	87735102384	0.45	8	11	0
385316323	KIT, VACUFLUSH MOUNTING	\$ 15.32	87735105729	1	1	1	1
385316906	KIT, VACUUM BREAKER	\$ 40.00	87735102407	0.1	7	5	2
385317001	DISPLAY, VACUFLUSH W/PWR SPLY	\$ 1,920.80		38	0	0	0
385317002	DISPLAY, VACUFLUSH W/OPWR SPLY	\$ 1,200.50		38	0	0	0
385318032	KIT, VACUUM TANK SWITCH	\$ 210.47	87735105767	1	7	6	5
385318065	KIT, VAC BRK/W/EXT	\$ 40.00	87735102414	0.1	7	5	2
385318162	KIT, BALL/SHAFT/CART-WHITE	\$ 46.08	87735102391	0.3	8	3	10
385318714	KIT, DO NOT FLUSH PANEL	\$ 42.73	87735105781	1	3	3	3
385318741	KIT, FUNNEL '08	\$ 48.59	87735105798	4	3	3	3
385318864	KIT, FUNNEL 506/806/706	\$ 47.20	87735105804	1.3	3	3	3
385319003	KIT, 900 CONVERSION	\$ 105.85	87735102667	1	3	3	3
385319027	KIT, MOUNTING CRADLE-911M28	\$ 5.41	87735105828	4	0	0	0
385319039	KIT, O'RING-PUMP REPLACEMENT	\$ 43.59	87735105880	1	3	3	3
385319053	KIT, NOISE ISOLATION	\$ 20.12	87735105903	1	3	3	3
385319054	KIT, VAC BREAK W/SPRAY-WHITE	\$ 67.00	87735102490	0.85	10	9	2.5
385319055	KIT, VAC BREAK W/SPRAY 500 WHT	\$ 67.00	87735102506	0.8	10	9	2.5
385319056	KIT, VAC BREAKER W/SPRAY-CHR	\$ 67.00	713814047139	1	10	9	2.5
385319057	KIT, VAC BREAKER W/SPRAY-EBONY	\$ 67.00		1	8	6	2
385320005	KIT, 970 SERIES HOLDDOWN BRKT	\$ 24.43	713814067885	0.5	6	4	2
385320006	KIT, MSD FITTING SMALL TK/970	\$ 13.98	713814055318	0.55	0	0	0
385320007	KIT, MSD FITTING LARGE TK/970	\$ 15.71	713814055325	0.4	0	0	0
385320008	KIT, FITTINGS-ELBOW/HOSE ADPT	\$ 43.59	713814054991	1	7	5	4
385320011	OBSOLETE, SUBSTITUTE 302148111		713814066376	7	18	12	12
385320014	SANITATION HOSE LUBE (50)	\$ 106.32	713814068608	0.9	7	5	4
385320017	KIT, CUSTOM HOSE ADPT-50 PACK	\$ 153.92	713814075767	5	0	0	0
385320018	KIT, VG4 RIGID FITTING	\$ 52.11	713814077044	0.5	6	4	2
385320873	KIT, BULK LEVER FLUSH TALL(10)	\$ 174.60	713814198350	7.5	0	0	0
385321549	KIT, BULK SEAL FLANGE (50)	\$ 331.23	713814198367	5.5	0	0	0

ITEM	DESCRIPTION	RETAIL	UPC	WGT	LEN	WID	HGT
385340177	KIT, SUPPLY HOSE-BONE	\$ 1.36	713814046835	0.5	8	8	4
385341513	KIT, 1-1/2" CUSTOM HOSE ADPT	\$ 15.56	713814065966	0.12	5	7	3
385341767	OBSOLETE, SUBSTITUTE 385343901		713814040987	7	0	0	0
385342806	KIT, BULK-90°X1-1/2"MPT FIT-30	\$ 459.64	713814082017	3	12	12	7
385343829	KIT, SEAT-CV'R 500+ - WHITE	\$ 62.26	713814041168	7	18	15	3
385343830	OBSOLETE, SUBSTITUTE 385343829		713814041182	7	0	0	0
385343831	KIT, SEAT-CV'R 500+ - BONE	\$ 62.26	713814041120	7	18	15	3
385343832	OBSOLETE, SUBSTITUTE 385343831		713814041175	7	0	0	0
385343897	KIT, SEAT-CV'R 500+ - PLAT	\$ 64.76	713814041144	7	0	0	0
385343898	OBSOLETE, SUBSTITUTE 385343897		713814041199	7	0	0	0
385343901	KIT, SEAT-CV'R 500+ - EBONY	\$ 64.76	713814041137	7	0	0	0
385343902	OBSOLETE, SUBSTITUTE 385343901		713814041212	7	0	0	0
385344013	KIT, SEAT-CV'R MAG OP-WHITE	\$ 109.59	713814041083	7.5	0	0	0
385344014	KIT, SEAT-CV'R MAG OP-BONE	\$ 109.59	713814041045	7	19	15	3
385344015	KIT, HD TANK 4015	\$ 313.12	713814202378	26	24	13	20
385344018	KIT, SEAT-CV'R MAG OP-PLAT	\$ 109.59	713814041069	7	0	0	0
385344019	KIT, SEAT-CV'R MAG OP-EBONY	\$ 109.59	713814041052	7	0	0	0
385344020	KIT, HD TANK 4020	\$ 255.72	713814200893	23	0	0	0
385344021	KIT, SEAT-CV'R MAG OP-TEAL	\$ 109.59	713814041076	7	0	0	0
385344022	OBSOLETE, SUBSTITUTE 385344013		713814041038	7	0	0	0
385344023	OBSOLETE, SUBSTITUTE 385344014		713814040994	8	20	21	5
385344024	OBSOLETE, SUBSTITUTE 385344018		713814041014	7	0	0	0
385344025	OBSOLETE, SUBSTITUTE 385344019		713814041007	7	0	0	0
385344030	KIT, HD TANK 4030	\$ 351.07	713814200909	32	0	0	0
385344040	KIT, HD TANK 4040	\$ 385.46	713814200916	36	0	0	0
385344055	KIT, HD TANK 4055	\$ 539.43	713814199500	47	0	0	0
385344088	KIT, SEAT-CV'R TRAV LITE-WHT	\$ 46.08	713814041236	2.4	18	15	3
385344089	KIT, SEAT-CV'R TRAV LITE-BONE	\$ 46.08	713814041229	2.4	18	15	3
385344436	KIT, SEAT-CV'R TM60-WHITE	\$ 67.25	713814041113	7	14.13	14.31	1.94
385344437	KIT, SEAT-CV'R TM60-BONE	\$ 67.25	713814041090	7	18	15	3
385344438	KIT, SEAT-CV'R TM60-EBONY	\$ 67.25	713814041106	7	0	0	0
385345377	KIT, SUPPLY HOSE-WHITE	\$ 1.36	713814046842	0.5	8	8	4
385345889	3" MPT FLOOR FLANGE (BAR CODE)	\$ 19.03	87735115889	0.6	7	7	3
385345892	3" SOCKET FLOOR FLANGE	\$ 19.03	87735115872	0.6	7	7	3
385346401	KIT, BOT'M ORING 960SLIDEVALVE	\$ 4.54	713814067694	0.25	0	0	0
385640041	KIT, SANX ONE OUTLET HOSE	\$ 34.87	87735105965	1	1	1	12
385640054	KIT, SANX ONE-1" ELBOW	\$ 12.21	87735105972	1	1.5	1.5	1.5
385640055	KIT, SANX ONE-1 1/2" ELBOW	\$ 12.21	87735105989	1	1.5	1.5	1.5
385640113	KIT,INLINE CHECK VALVE/HOUSING	\$ 32.38	87735105996	1	2	2	2
385640115	OBSOLETE, SUBSTITUTE 385640116		87735106016	1	1	1	1
385640116	KIT,PILOT COLLAR-INLINE CK VLV	\$ 32.38	87735106023	1	1	1	1
385640228	KIT, B PUMP OUTPUT SHAFT KEY	\$ 49.46	87735106054	1	1	1	1
385640239	OBSOLETE, SUBSTITUTE 385311422		87735106061	0.1	2	3	4
385640335	KIT, S-SUMP INLET TANK TO PUMP	\$ 24.28	87735115322	0.1	3	3	3
385640370	KIT, LH/RH THREAD ADAPTER	\$ 30.11	713814049485	0.05	6	6	2
385880001	OBSOLETE, SUBSTITUTE 385311694		713814055011	8.55	14.31	14.31	2
385880002	KIT, SEAT ASSY 8800SERIES-BONE	\$ 42.33	713814055028	7	14.31	14.31	2
385880009	KIT, MOTOR 8800 SERIES-12VDC	\$ 552.91	713814055400	7	6	6	6
385880010	KIT, MOTOR 8800 SERIES-24VDC	\$ 552.91	713814055417	7	6	6	6
385880014	KIT, BOWL-MACER ADPT-8819-8818	\$ 52.30	713814068769	2	12	9	3
385880015	KIT, BOWL-MACERATOR ADPT-8812	\$ 49.81	713814068776	1	6	6	6
385880016	KIT, WATER LINE ADAPTER	\$ 37.36	713814068783	0.5	7	5	4
385880021	KIT, WATER V'LE ASSY-12V 8812	\$ 43.59	713814068790	1	4	3	2
385880022	KIT, WATER V'LE ASSY-24V 8812	\$ 43.59	713814068806	7.4	12	9	3
385880023	OBSOLETE, SUBSTITUTE 385880021		713814055448	2	6	6	6
385880024	OBSOLETE, SUBSTITUTE 385880022		713814055455	2	6	6	6
385880039	KIT, STRAIGHT DISCH'RG ADAPT	\$ 37.36	713814068813	0.4	0	0	0
385880048	KIT, TOUCHPAD CTRL PNL-8800	\$ 57.29	713814055479	0.3	2	4	6
385880051	OBSOLETE, SUBSTITUTE 385880050			4	0	0	0
385880052	OBSOLETE, SUBSTITUTE 385880050		713814055486	1	2	4	6
385880056	KIT, ELBOW DISCHARGE ADPT-8800	\$ 52.30	713814055509	0.45	6	4	2

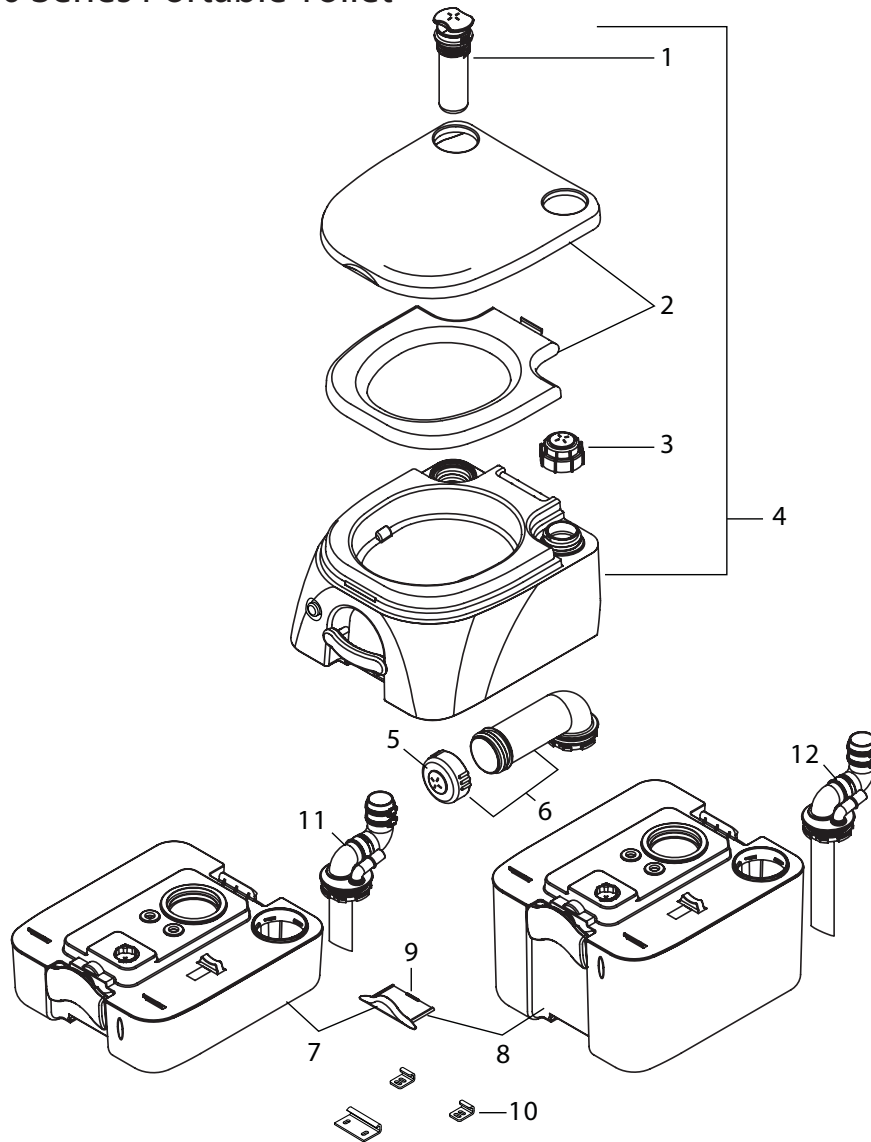
ITEM	DESCRIPTION	RETAIL	UPC	WGT	LEN	WID	HGT
385880059	KIT, RAW W'TR ADAPT'N 12V-8800	\$ 108.35	713814065669	1	0	0	0
385880060	KIT, RAW W'TR ADAPT'N 24V-8800	\$ 117.06	713814065676	1	0	0	0
385880063	KIT, DISCHARGE LOOP 8818	\$ 49.81	713814068745	3	0	0	0
385880065	KIT, TUBE OUTLET SHORT-M'FLUSH	\$ 140.60	713814074401	3	12	9	3
385880067	KIT, BOWL OUTLET ELBOW-M'FLUSH	\$ 44.34	713814074425	2	6	6	6
385880068	KIT, MOTOR ASSY 12VDC-M'FLUSH	\$ 390.21	713814074432	10	15	12	10
385880069	KIT, MOTOR ASSY 24VDC-M'FLUSH	\$ 390.21	713814073527	10	12	10	8
385880070	KIT, ADAPTER - M'FLUSH	\$ 27.72	713814074449	1	7	5	2
385880071	KIT, 1-1/2" OUTLET EL-M'FLUSH	\$ 19.95	713814074456	0.5	6	6	2
385880072	KIT, 1" OUTLET FITTING-M'FLUSH	\$ 18.85	713814074463	1	7	5	2
385880073	KIT, CHECKVALVE - M'FLUSH	\$ 49.89	713814074470	1	6	6	1
385880074	KIT, WATERVALVE 12VDC-M'FLUSH	\$ 59.86	713814074487	1	6	4	2
385880075	KIT, WATERVALVE 24VDC-M'FLUSH	\$ 69.84	713814074494	1	6	4	2
385880076	KIT, BOWL 8900 SHORT-WHITE	\$ 600.83	713814074500	30	25	19.5	18
385880077	KIT, BOWL 8900 SHORT-BONE	\$ 650.71	713814074517	30	25	19.5	18
385880078	KIT, BOWL 8900 TALL-WHITE	\$ 600.83	713814074524	35	26	20	22
385880079	KIT, BOWL 8900 TALL-BONE	\$ 650.71	713814074531	35	26	20	22
385880080	KIT, ANTISIPHON VALVE-M'FLUSH	\$ 55.42	713814074548	1	6	6	2
385880081	KIT, FLUSH SW WIRE H-VIMAR/GEW	\$ 194.67	713814074555	3	7	5	4
385880082	KIT, FLUSH SW CABLE-MF TOUCH'P	\$ 28.96	713814074135	0.35	6	4	2
385880083	KIT, MOTOR STRAP - M'FLUSH	\$ 55.42	713814074562	0.5	7	5	1
385880084	KIT, CONVER'N 8900 24V TO 12V	\$ 514.34	713814071493	5.05	9	5.5	5.5
385880085	KIT, MF CONTROL MOD - (DBL)	\$ 581.53		3	7.25	5.5	4.75
388640115	OBSOLETE, SUBSTITUTE 388640116			1	0	0	0
600340591	OBSOLETE, SUBSTITUTE 385344437			4	0	0	0
600340791	OBSOLETE, SUBSTITUTE 385311522		713814041397	3	0	0	0
600340792	OBSOLETE, SUBSTITUTE 385311523			3	0	0	0
600340793	OBSOLETE, SUBSTITUTE 385311524		713814041403	3	0	0	0
600340794	OBSOLETE, SUBSTITUTE 385311525		713814041410	3	0	0	0
600341663	OBSOLETE, SUBSTITUTE 385311520		713814041458	2	0	0	0
600342130	OBSOLETE, SUBSTITUTE 385344436			0.1	0	0	0
600343033	OBSOLETE, SUBSTITUTE 385344438			1	0	0	0

# PARTS LIST - 960 Series Portable Toilet

NO.	USA	DESCRIPTION
1	385311520	Seat lid and seat – parchment
	385311521	Seat lid and seat – platinum
2	385310900	Seat hinge pin – white
	385310899	Seat hinge pin – parchment
3	385310102	Water cap – parchment
	385310103	Water cap – platinum
4	385310104	Bellows assembly – parchment
	385310105	Bellows assembly – platinum
5	385230374	2.6-gal. (9.8 l) freshwater tank assembly – parchment (items 1 - 5)
	385230375	2.6-gal. (9.8 l) freshwater tank assembly – platinum (items 1 - 5)
6	385310066	Latch assembly – white
	385310067	Latch assembly – parchment
7	385239064	Slide valve assembly – white
8	385346401	Bottom O-ring
9	385310050	Waste tank cap – parchment
	385310031	Waste tank cap – platinum
10	385311522	2.5-gal. (9.5 l) wastewater tank assembly – parchment
	385311523	2.5-gal. (9.5 l) wastewater tank assembly – platinum
10A	385230376	2.5-gal. (9.5 l) 964MSD tank assembly – parchment
	385230377	2.5-gal. (9.5 l) 964MSD tank assembly – platinum
11	385311524	5.0-gal. (18.9 l) wastewater tank assembly – parchment
	385311525	5.0-gal. (18.9 l) wastewater tank assembly – platinum
11A	385230378	5.0-gal. (18.9 l) 965MSD tank assembly – parchment
	385230379	5.0-gal. (18.9 l) 965MSD tank assembly – platinum
12	385310018	Hold-down brackets – 2.5-gal. waste tank
	385310239	Hold-down brackets – 5.0-gal. waste tank

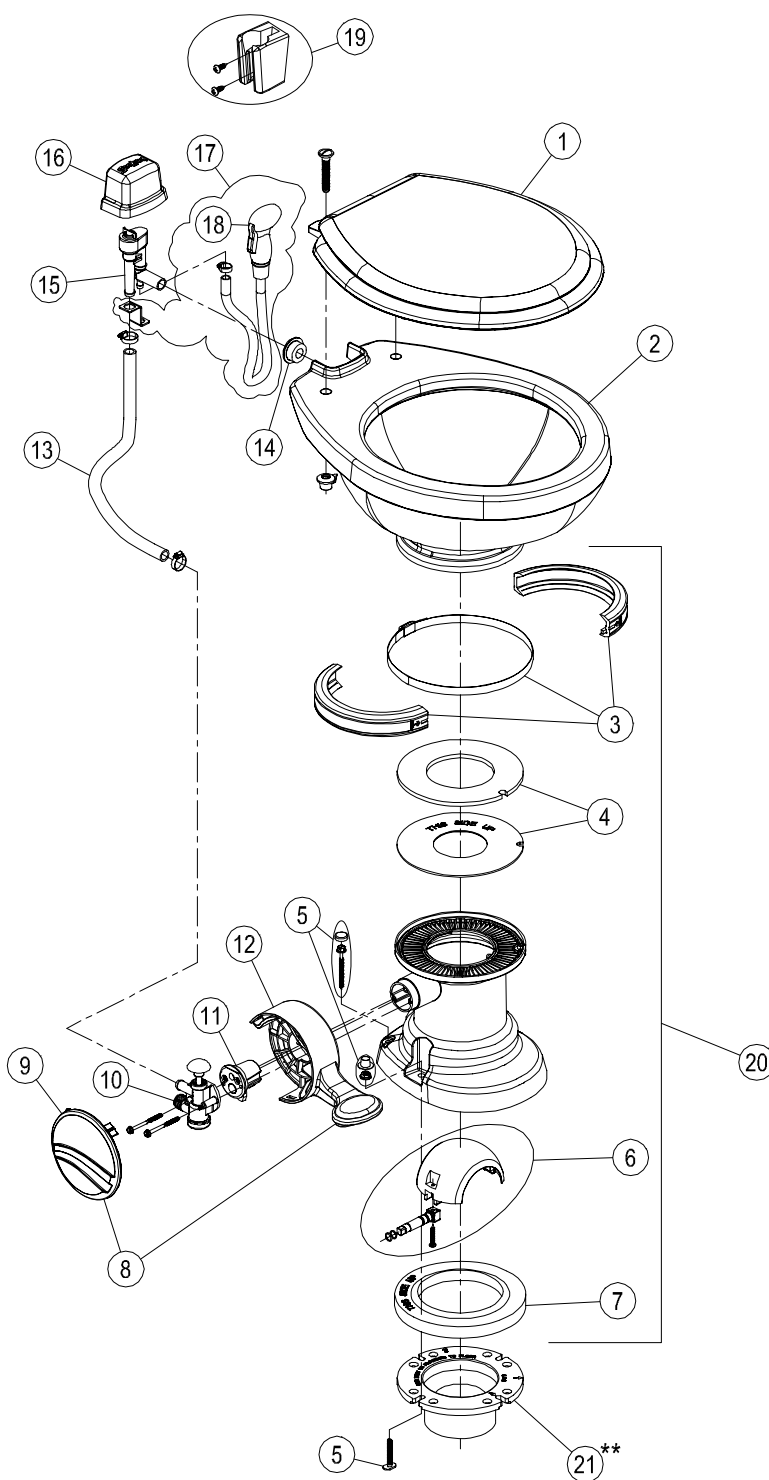


# PARTS LIST - 970 Series Portable Toilet



NO.	PART NUMBER	DESCRIPTION	
1	385311528	Air pump	
2	385311529	Seat cover and seat	
3	385311530	Water cap	
4	385311531	Bowl assembly	
5	385311532	Discharge spout cap	
6	385311533	Discharge spout assembly	972, 974, 975, 976
7	385311534 385311535	Holding tank assembly (tan) Holding tank assembly (gray)	2.6 gal./9.8 L - 972, 974, 974MSD
8	385311536 385311537	Holding tank assembly (tan) Holding tank assembly (gray)	5.0 gal./18.9 L - 975, 975MSD, 976
9	385311538 385311539	Locking handle (tan) Locking handle (gray)	972, 974, 974MSD, 975, 975MSD, 976
10	385311564	Mounting brackets	974, 974MSD, 975, 975MSD
11	385320006	MSD fitting	974MSD
12	385320007	MSD fitting	975MSD

# PARTS LIST: 110 MODEL

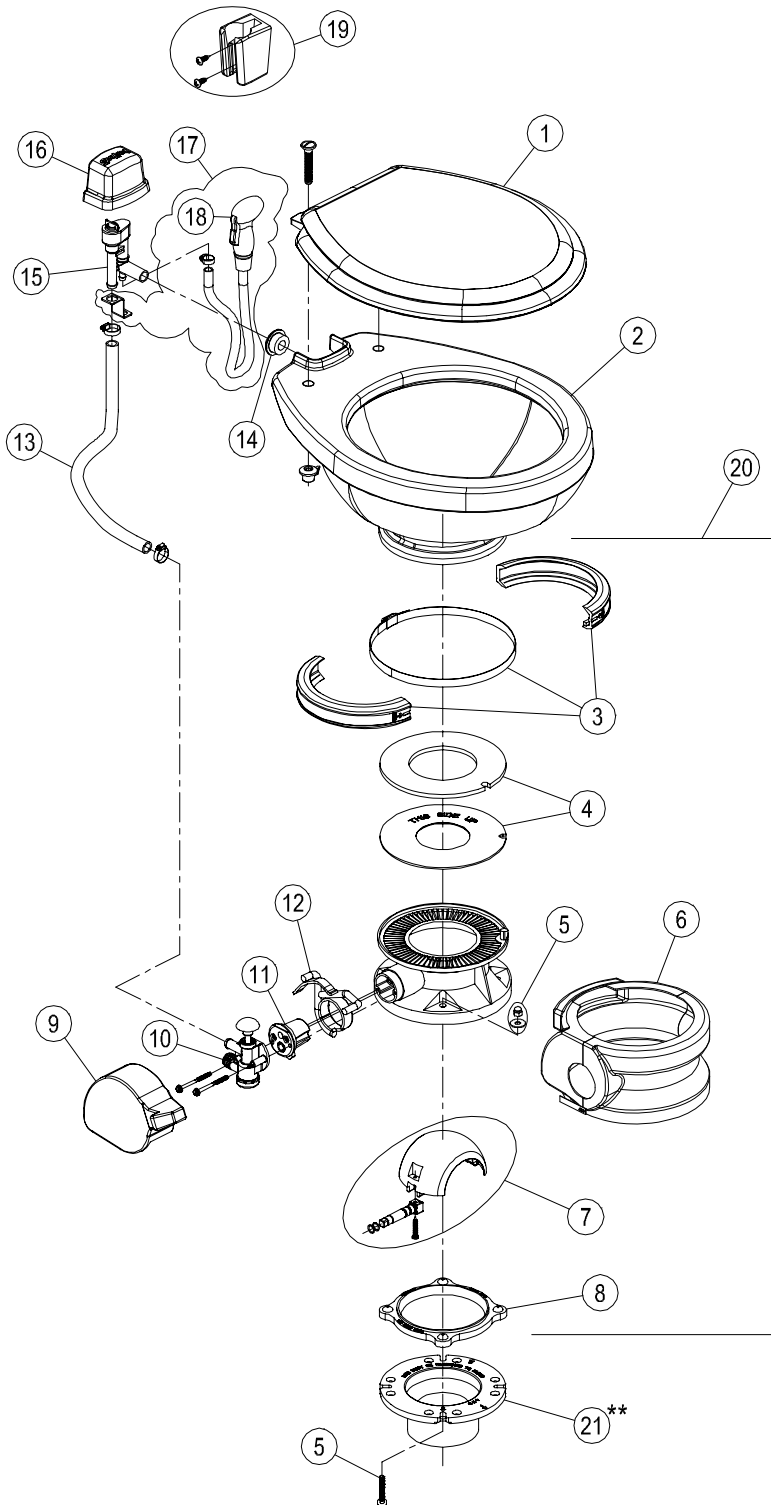


ITEM	PART NUMBER & DESCRIPTION
1	385344088 SEAT/COVER - WHITE
	385344089 SEAT/COVER - BONE
2	385310790 CHINA BOWL KIT - WHITE
	385310791 CHINA BOWL KIT - BONE
3	385310025 BOWL/BASE CLAMP KIT - WHITE
	385310048 BOWL/BASE CLAMP KIT - BONE
4	385311462 FLUSH BALL SEAL REPL KIT
5	385310794 MOUNTING HARDWARE - WHITE
	385310803 MOUNTING HARDWARE - BONE
6	385310681 FLUSH BALL, SHAFT, CARTRIDGE KIT **INCLUDES ITEM 11.
7	385311267 FLOOR FLANGE SEAL
8	385311119 PEDAL & COVER - WHITE
	385311120 PEDAL & COVER - BONE
9	385311179 PEDAL COVER - WHITE
	385311180 PEDAL COVER - BONE
10	385314349 WATER VALVE KIT
11	385310683 SPRING CARTRIDGE KIT
12	385311121 PEDAL/CARTRIDGE KIT - WHITE
	385311122 PEDAL/CARTRIDGE KIT - BONE **INCLUDES ITEM 9 & 11.
13	385340177 BOWL WATER SUPPLY HOSE - WHITE
	385345377 BOWL WATER SUPPLY HOSE - BONE
14	385311164 1/2" SEALING GROMMET
15	385230335 VACUUM BREAKER KIT w/HAND SPRAY
	385316906 VACUUM BREAKER KIT **INCLUDES ITEM 14.
16	385310795 VACUUM BREAKER COVER - WHITE
	385310796 VACUUM BREAKER COVER - BONE
17*	385319054 HAND SPRAY KIT w/VAC BREAKER - WHT **INCLUDES ITEM 14, 15, 18
18*	385311124 HAND SPRAYER - WHITE **INCLUDES ITEM 19.
19*	385230319 HAND SPRAY BRACKET w/SCREW-WHT
20	385310792 110 BASE KIT - WHITE
	385310793 110 BASE KIT - BONE **INCLUDES ITEM 3-12.
21**	385345889 3" MPT FLOOR FLANGE
	385345892 3" SOCKET FLOOR FLANGE
	385343765 3" SPIGOT FLOOR FLANGE
	385310961 45° SWIVEL FLOOR FLANGE*
	*MUST BE USED WITH SEAL INCLUDED IN KIT.

\* ITEMS 17, 18, & 19 ARE OPTIONAL ACCESSORIES;  
NOT PROVIDED WITH EVERY MODEL.

\*\* ITEM 21 IS SOLD SEPARATELY; NOT INCLUDED WITH THE TOILET.

# PARTS LIST: 111 MODEL



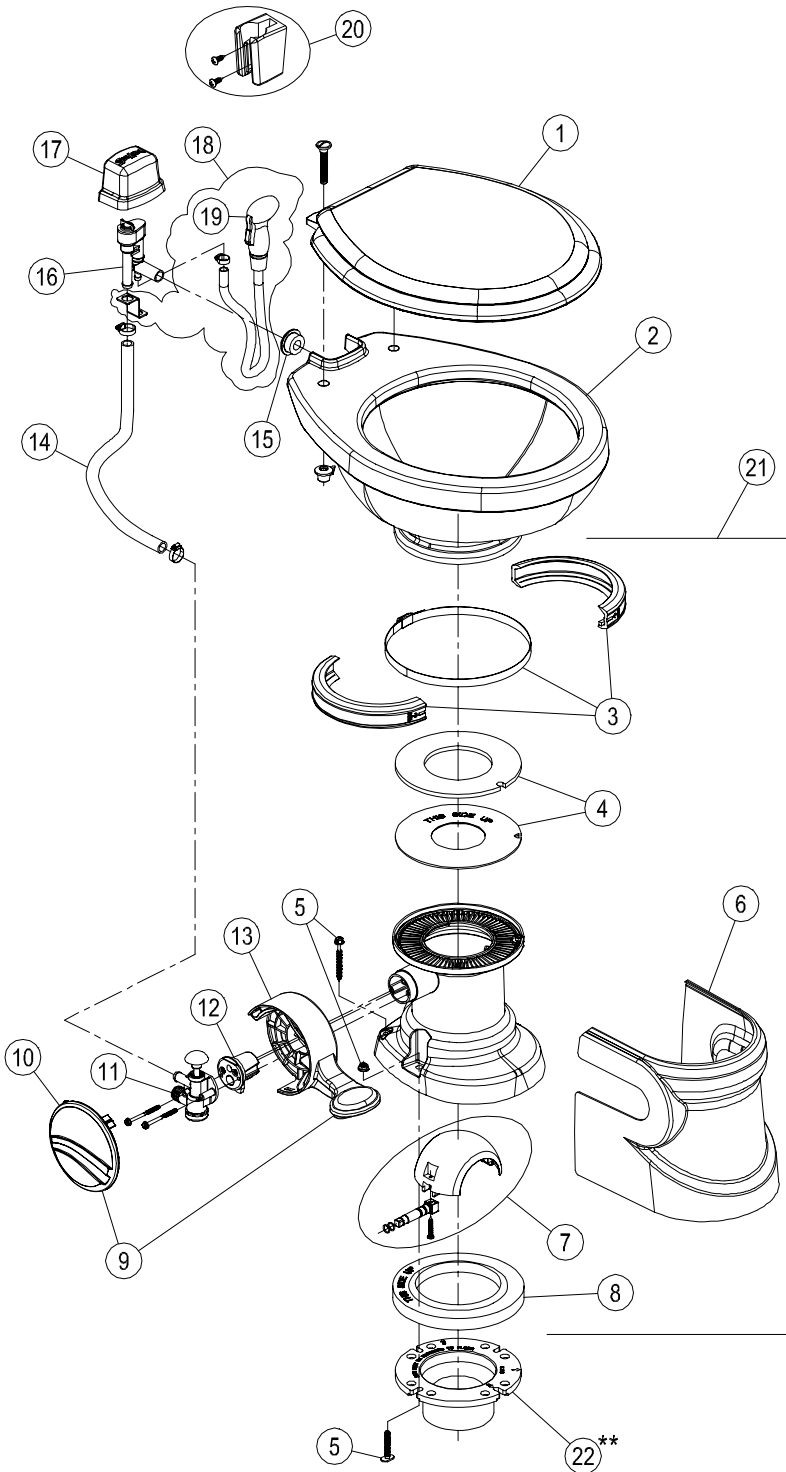
ITEM	PART NUMBER & DESCRIPTION	
1	385344088	SEAT/COVER - WHITE
	385344089	SEAT/COVER - BONE
2	385310790	CHINA BOWL KIT - WHITE
	385310791	CHINA BOWL KIT - BONE
3	385310048	BOWL/BASE CLAMP KIT - BONE
4	385311462	FLUSH BALL SEAL REPL KIT
5	385310064	MOUNTING HARDWARE
6	385310108	PEDESTAL COVER - WHITE
	385310109	PEDESTAL COVER - BONE
7	385318162	FLUSH BALL, SHAFT, CARTRIDGE KIT **INCLUDES ITEM 11.
8	385310063	FLOOR FLANGE SEAL
9	385311551	PEDAL COVER - WHITE
	385311552	PEDAL COVER - BONE
10	385314349	WATER VALVE KIT
11	385236096	SPRING CARTRIDGE KIT
12	385311553	PEDAL/LEVER & CARTRIDGE KIT **INCLUDES ITEM 11.
13	385340177	BOWL WATER SUPPLY HOSE - WHITE
	385345377	BOWL WATER SUPPLY HOSE - BONE
14	385311164	1/2" SEALING GROMMET
15	385230335	VACUUM BREAKER KIT w/HAND SPRAY
	385316906	VACUUM BREAKER KIT **INCLUDES ITEM 14.
16	385310795	VACUUM BREAKER COVER - WHITE
	385310796	VACUUM BREAKER COVER - BONE
17*	385319054	HAND SPRAY KIT w/VAC BREAKER - WHT **INCLUDES ITEM 14, 15, 18.
18*	385311124	HAND SPRAYER - WHITE **INCLUDES ITEM 19.
19*	385230319	HAND SPRAY BRACKET w/SCREW-WHT
20	385311559	111 BASE KIT - WHITE
	385311560	111 BASE KIT - BONE **INCLUDES ITEM 3-12.
21**	385345889	3" MPT FLOOR FLANGE
	385345892	3" SOCKET FLOOR FLANGE
	385343765	3" SPIGOT FLOOR FLANGE
	385310961	45° SWIVEL FLOOR FLANGE* *MUST BE USED WITH SEAL INCLUDED IN KIT.

\* ITEMS 17, 18, & 19 ARE OPTIONAL ACCESSORIES;  
NOT PROVIDED WITH EVERY MODEL.

\*\* ITEM 21 IS SOLD SEPARATELY; NOT INCLUDED WITH THE TOILET.



# PARTS LIST: 210 MODEL

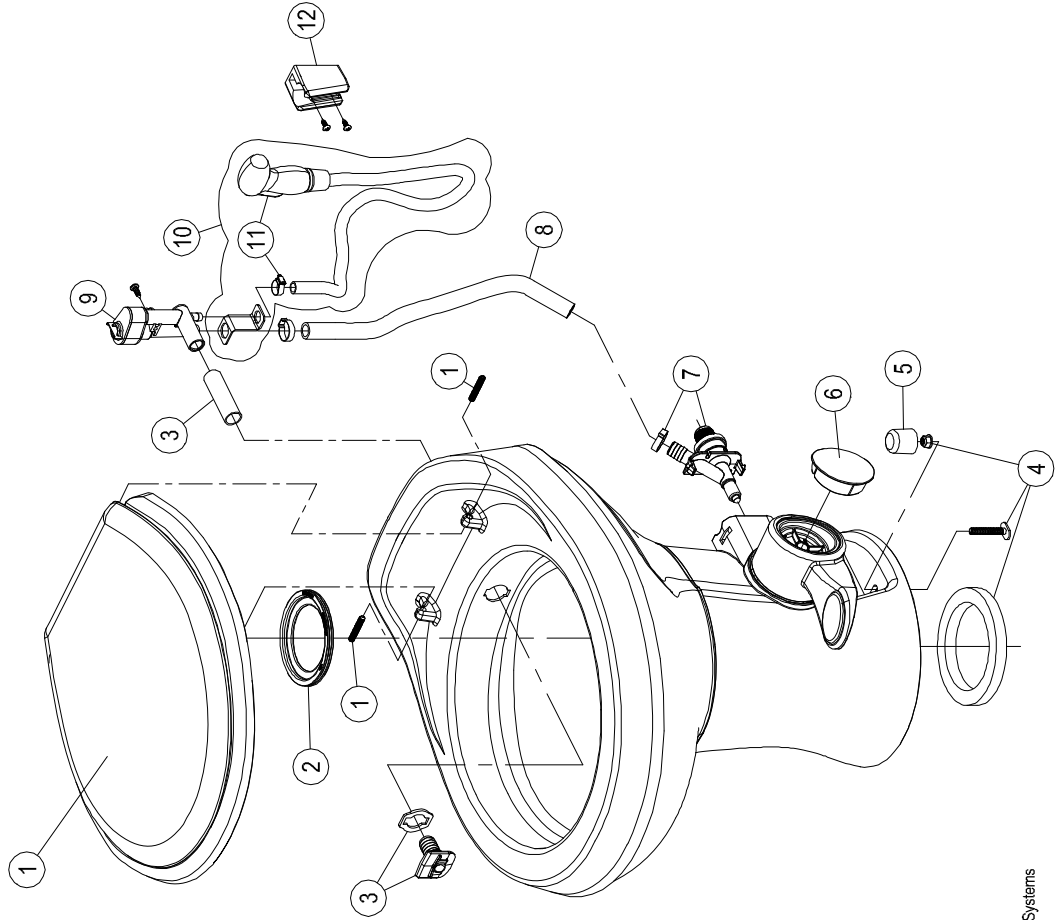


ITEM	PART NUMBER & DESCRIPTION	
1	385344088	SEAT/COVER - WHITE
	385344089	SEAT/COVER - BONE
2	385310790	CHINA BOWL KIT - WHITE
	385310791	CHINA BOWL KIT - BONE
3	385310048	BOWL/BASE CLAMP KIT - BONE
4	385311462	FLUSH BALL SEAL REPL KIT
5	385311117	MOUNTING HARDWARE
6	385311126	BASE SHROUD - WHITE
	385311127	BASE SHROUD - BONE
7	385310681	FLUSH BALL, SHAFT, CARTRIDGE KIT **INCLUDES ITEM 12.
8	385311267	FLOOR FLANGE SEAL
9	385311119	PEDAL & COVER - WHITE
	385311120	PEDAL & COVER - BONE
10	385311179	PEDAL COVER - WHITE
	385311180	PEDAL COVER - BONE
11	385314349	WATER VALVE KIT
12	385310683	SPRING CARTRIDGE KIT
13	385311121	PEDAL/CARTRIDGE KIT - WHITE
	385311122	PEDAL/CARTRIDGE KIT - BONE **INCLUDES ITEM 10 & 12.
14	385340177	BOWL WATER SUPPLY HOSE - WHITE
	385345377	BOWL WATER SUPPLY HOSE - BONE
15	385311164	1/2" SEALING GROMMET
16	385230335	VACUUM BREAKER KIT w/HAND SPRAY
	385316906	VACUUM BREAKER KIT **INCLUDES ITEM 15.
17	385310795	VACUUM BREAKER COVER - WHITE
	385310796	VACUUM BREAKER COVER - BONE
18*	385319054	HAND SPRAY KIT w/VAC BREAKER - WHT **INCLUDES ITEM 15, 16, 19.
19*	385311124	HAND SPRAYER - WHITE **INCLUDES ITEM 20.
20*	385230319	HAND SPRAY BRACKET w/SCREW-WHT
	385311128	210 BASE KIT - WHITE
21	385311129	210 BASE KIT - BONE **INCLUDES ITEM 3-13.
	385345889	3" MPT FLOOR FLANGE
22**	385345892	3" SOCKET FLOOR FLANGE
	385343765	3" SPIGOT FLOOR FLANGE
	385310961	45° SWIVEL FLOOR FLANGE*
		*MUST BE USED WITH SEAL INCLUDED IN KIT.

\* ITEMS 18, 19, & 20 ARE OPTIONAL ACCESSORIES;  
NOT PROVIDED WITH EVERY MODEL.

\*\* ITEM 22 IS SOLD SEPARATELY; NOT INCLUDED WITH THE TOILET.

# PARTS LIST: 300 TALL GRAVITY FLUSH TOILET

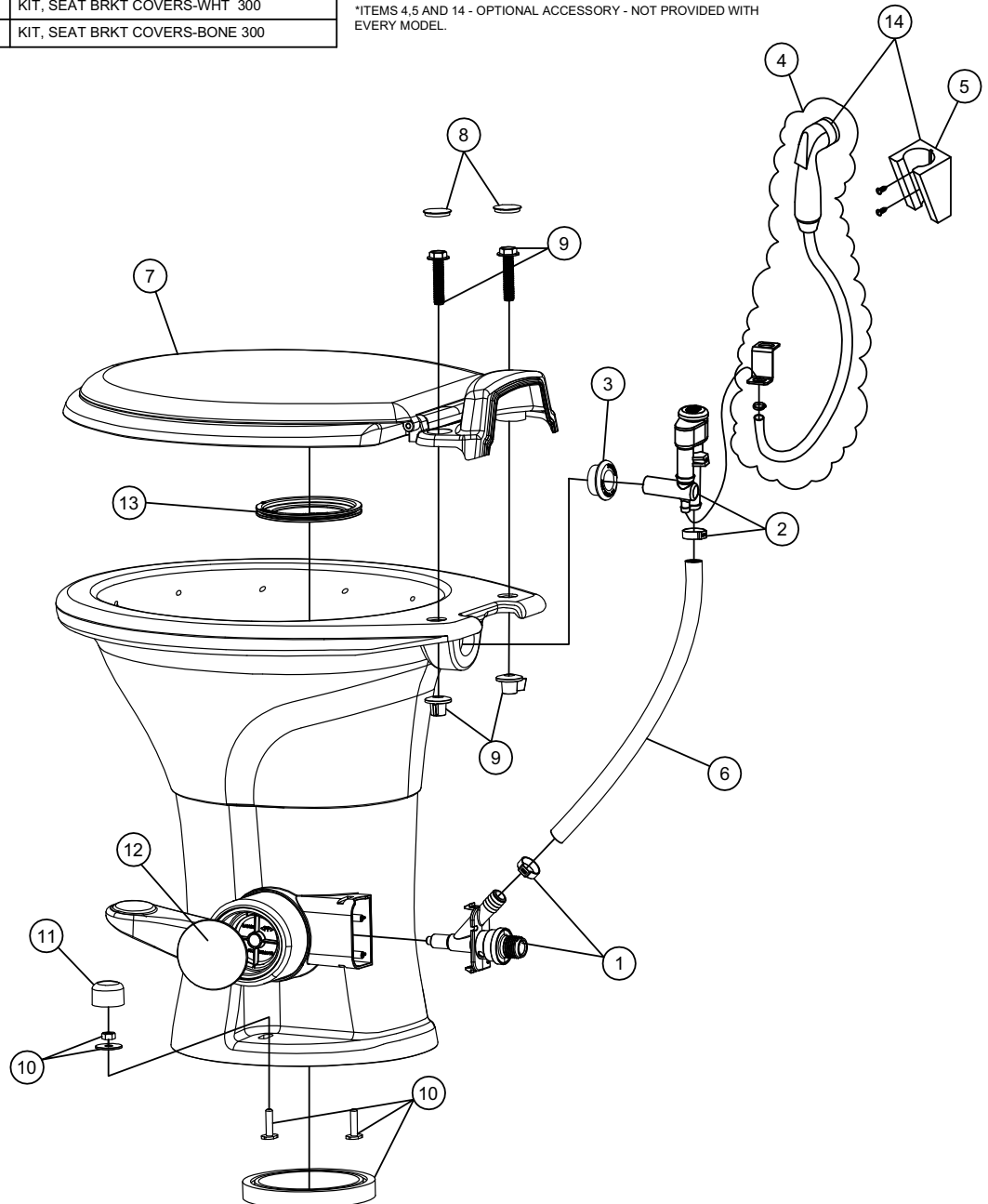


ITEM	PART NUMBER & DESCRIPTION
1	385311930 SEAT/COVER REPLACEMENT - WHITE 385311931 SEAT/COVER REPLACEMENT - BONE **INCLUDES MOUNTING HARDWARE
2	385311658 FLUSH BALL SEAL
3	385311932 BOWL WASH SPRAY NOZZLE KIT - WHT 385311933 BOWL WASH SPRAY NOZZLE KIT - BONE
4	385311652 MOUNTING HARDWARE/SEAL - WHITE 385311653 MOUNTING HARDWARE/SEAL - BONE **INCLUDES ITEM 5
5	385311654 FLOOR BOLT CAP - WHITE 385311655 FLOOR BOLT CAP - BONE
6	385311656 PEDAL COVER - WHITE 385311657 PEDAL COVER - BONE
7	385311641 WATER VALVE KIT
8	385340177 WATER SUPPLY HOSE - WHITE 385345377 WATER SUPPLY HOSE - BONE **INCLUDES CLAMPS
9	385230335 VACUUM BREAKER KIT w/HAND SPRAY 385316906 VACUUM BREAKER KIT
10*	385319054 HAND SPRAY KIT w/VAC BREAKER - WHT **INCLUDES ITEMS 9 & 11
11*	385311124 HAND SPRAYER - WHITE **INCLUDES ITEM 12.
12*	385230319 HAND SPRAY BRACKET w/SCREWS-WHT

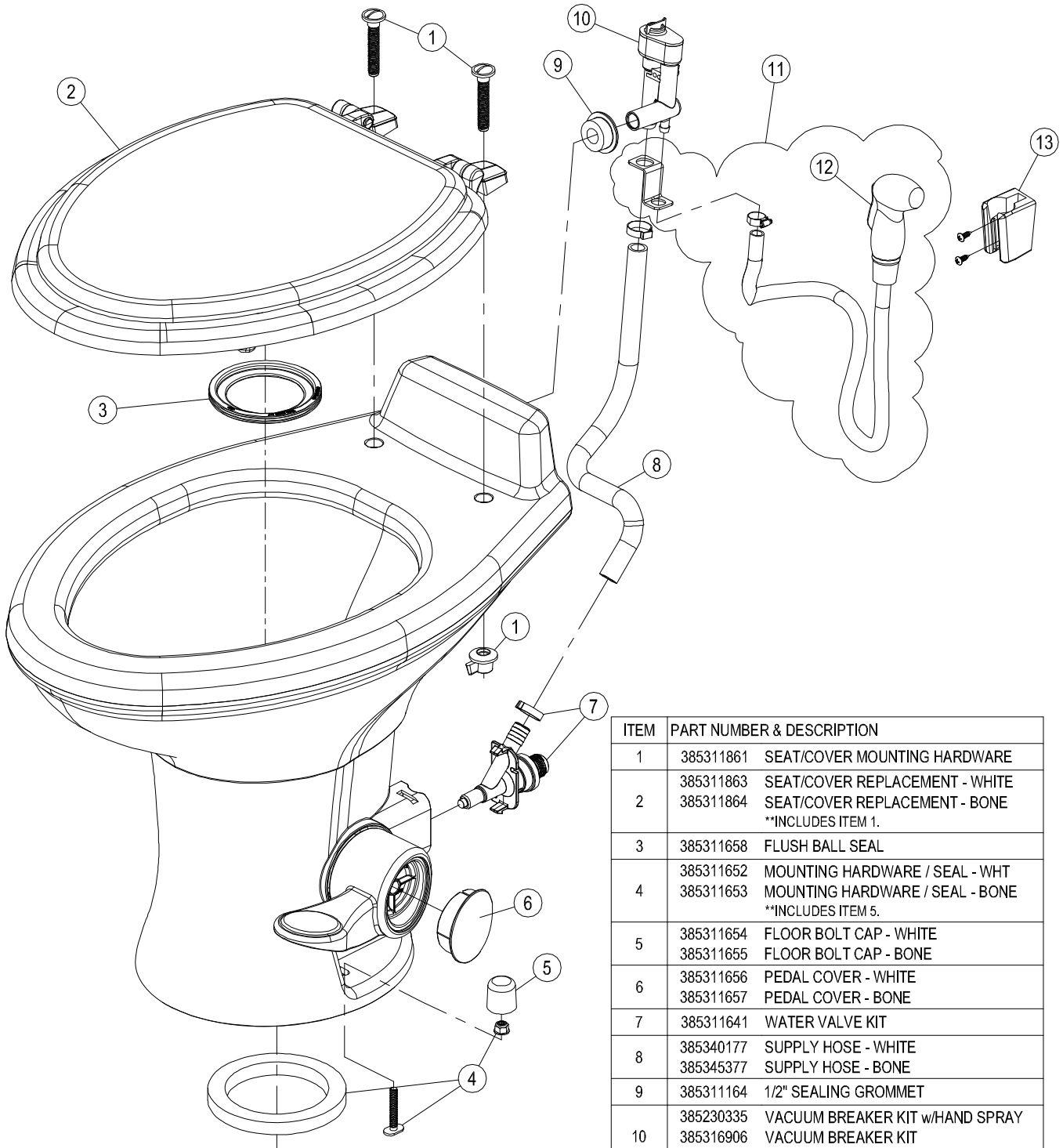
\* ITEMS 10, 11, & 12 ARE OPTIONAL ACCESSORIES;  
NOT PROVIDED WITH EVERY MODEL.

## PARTS LIST: 310 Gravity Flush Toilet

1	385311641	KIT, WATER VALVE	9	385311650	KIT, SEAT MTG HARD-WHT (INC. 8)
2	385230335	KIT, HAND SPRAY VB (INC. 3)	10	385311651	KIT, SEAT MTG HARD-BONE (INC. 8)
	385316906	KIT, VACUUM BREAKER (INC. 3)		385311652	KIT, MTG HARDWARE-WHT (INC. 11)
3	385311164	KIT, SEALING GROMMET 1/2"	11	385311653	KIT, MTG HARDWARE-BONE (INC. 11)
4*	385319054	KIT, VAC BREAK W/SPRAY-WHT (INC.2,3 & 5)		385311654	KIT, MTG HARD CAP-WHT
5*	385230319	KIT, BRACKET-HAND SPRAY	12	385311655	KIT, MTG HARD CAP-BONE
6	385340177	KIT, SUPPLY HOSE-BONE		385311656	KIT, PEDAL CVR CAP-WHT
	385345377	KIT, SUPPLY HOSE-WHITE	385311657	KIT, PEDAL CVR-BONE	
7	385311646	KIT, SEAT/CVR-WHT (INC. 8 & 9)	13	385311658	KIT, FLUSH BALL SEAL
	385311647	KIT SEAT/CVR-BONE (INC. 8 & 9)	14*	385311124	KIT, HAND SPRAY-WHITE (INC. 5)
8	385311648	KIT, SEAT BRKT COVERS-WHT 300	*ITEMS 4,5 AND 14 - OPTIONAL ACCESSORY - NOT PROVIDED WITH EVERY MODEL.		
	385311649	KIT, SEAT BRKT COVERS-BONE 300			



## PARTS LIST: 320 GRAVITY FLUSH TOILET

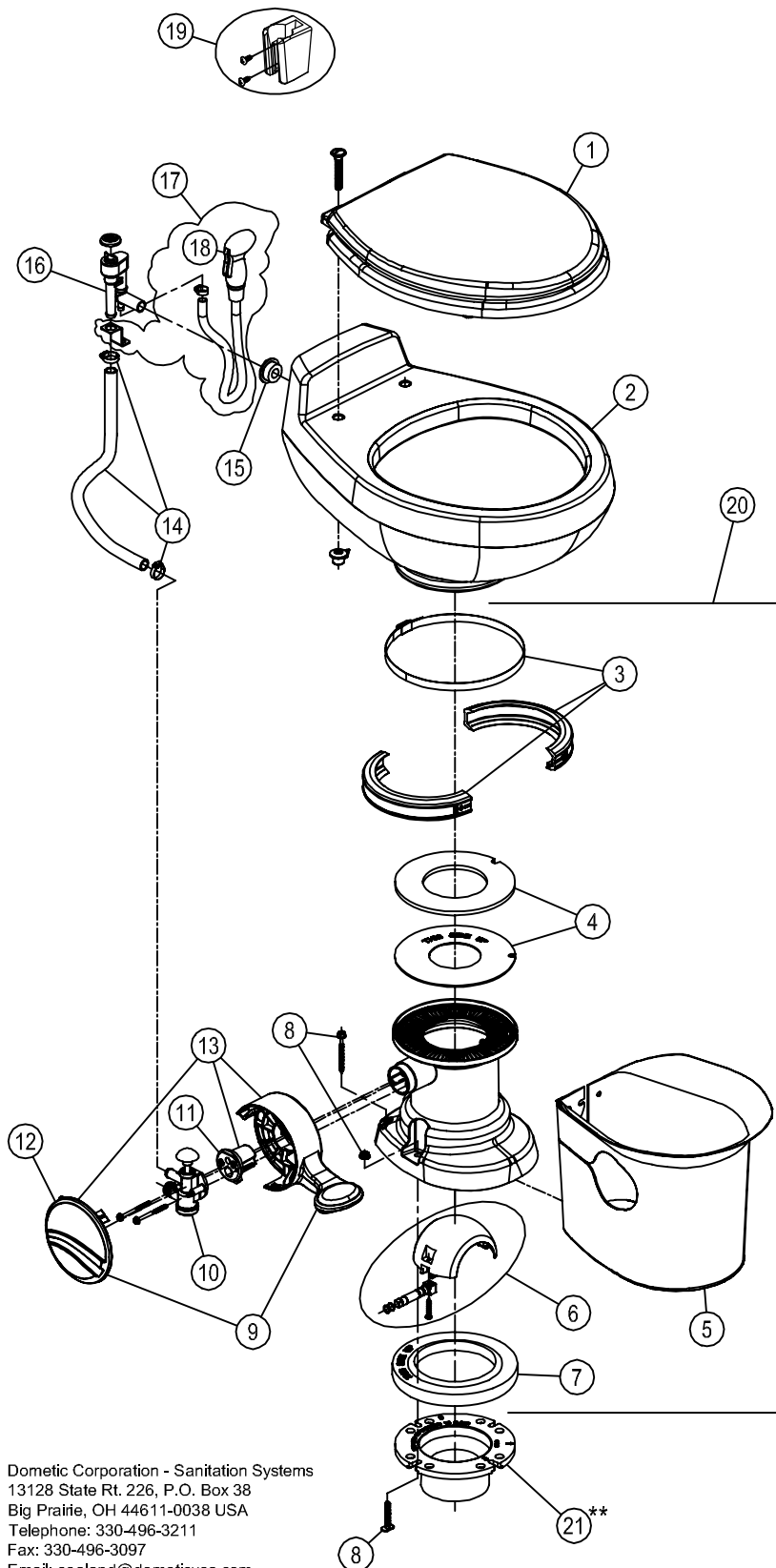


ITEM	PART NUMBER & DESCRIPTION
1	385311861 SEAT/COVER MOUNTING HARDWARE 385311863 SEAT/COVER REPLACEMENT - WHITE 385311864 SEAT/COVER REPLACEMENT - BONE **INCLUDES ITEM 1.
3	385311658 FLUSH BALL SEAL
4	385311652 MOUNTING HARDWARE / SEAL - WHT 385311653 MOUNTING HARDWARE / SEAL - BONE **INCLUDES ITEM 5.
5	385311654 FLOOR BOLT CAP - WHITE 385311655 FLOOR BOLT CAP - BONE
6	385311656 PEDAL COVER - WHITE 385311657 PEDAL COVER - BONE
7	385311641 WATER VALVE KIT
8	385340177 SUPPLY HOSE - WHITE 385345377 SUPPLY HOSE - BONE
9	385311164 1/2" SEALING GROMMET
10	385230335 VACUUM BREAKER KIT w/HAND SPRAY 385316906 VACUUM BREAKER KIT **INCLUDES ITEM 9.
11*	385319054 HAND SPRAY KIT w/VAC BREAKER - WHT **INCLUDES ITEMS 9, 10, 12.
12*	385311124 HAND SPRAYER - WHITE **INCLUDES ITEM 13.
13*	385230319 HAND SPRAY BRACKET w/SCREW-WHT

Dometic Corporation - Sanitation Systems  
13128 State Rt. 226, P.O. Box 38  
Big Prairie, OH 44611-0038 USA  
Telephone: 330-496-3211  
Fax: 330-496-3097  
Email: sealand@dometicususa.com

\*ITEMS 11, 12, & 13 ARE OPTIONAL ACCESSORIES;  
NOT PROVIDED WITH EVERY MODEL

# PARTS LIST: 510H



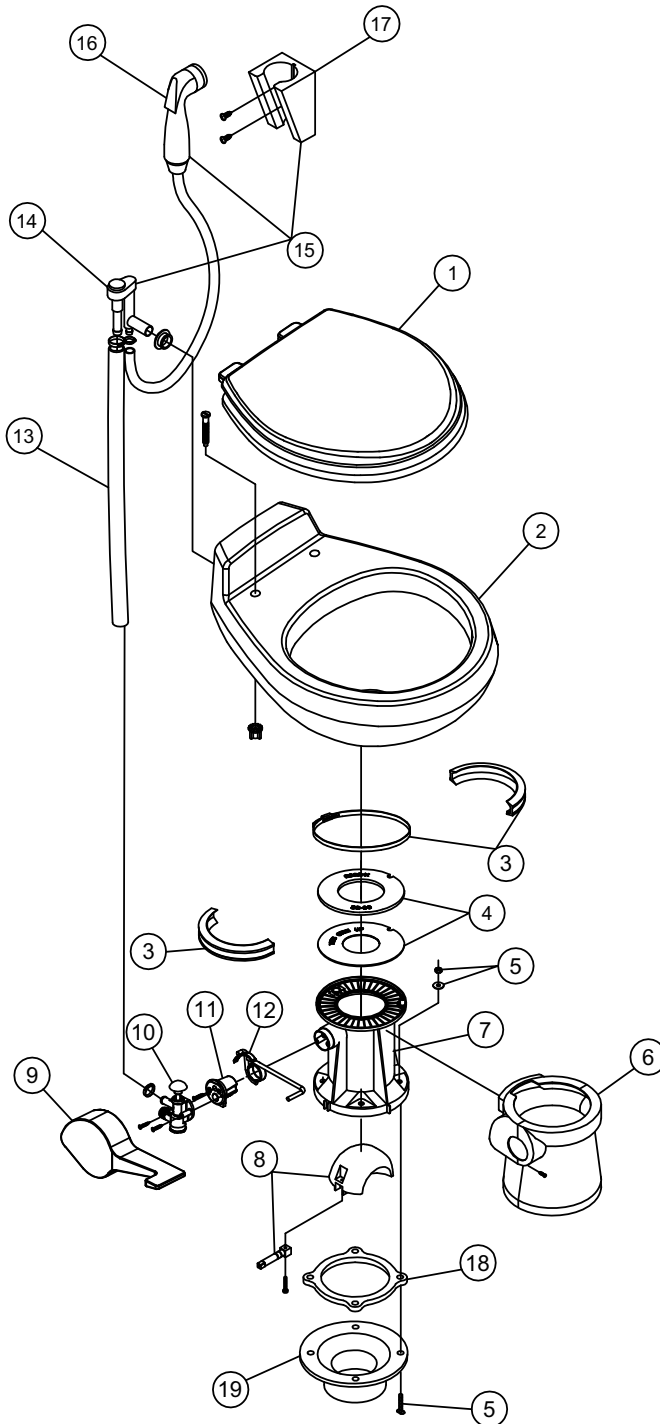
ITEM	PART NUMBER & DESCRIPTION
1	385343829 SEAT/COVER - WHITE
	385343831 SEAT/COVER - BONE
2	385310739 CHINA BOWL KIT - WHITE
	385310740 CHINA BOWL KIT - BONE
3	385310025 BOWL/BASE CLAMP KIT - WHITE
	385310048 BOWL/BASE CLAMP KIT - BONE
4	385311462 FLUSH BALL SEAL REPL KIT
5	385311540 BASE SHROUD 500H - WHITE
	385311541 BASE SHROUD 500H - BONE
6	385310681 FLUSH BALL, SHAFT, CARTRIDGE KIT **INCLUDES ITEM 11
7	385311267 FLOOR FLANGE SEAL
8	385311117 MOUNTING HARDWARE
9	385311119 PEDAL & COVER - WHITE
	385311120 PEDAL & COVER - BONE
10	385314349 WATER VALVE KIT
11	385310683 SPRING CARTRIDGE KIT
12	385311179 PEDAL COVER - WHITE
	385311180 PEDAL COVER - BONE
13	385311121 PEDAL/CARTRIDGE KIT - WHITE
	385311122 PEDAL/CARTRIDGE KIT - BONE **INCLUDES ITEM 11 & 12
14	385340177 BOWL WATER SUPPLY HOSE - WHITE
	385345377 BOWL WATER SUPPLY HOSE - BONE
15	385311164 1/2" SEALING GROMMET
16	385230335 VACUUM BREAKER KIT w/HAND SPRAY
	385316906 VACUUM BREAKER KIT **INCLUDES ITEM 15
17*	385319056 HAND SPRAY KIT w/VAC BREAKER - CHR **INCLUDES ITEM 15, 16, 19
18*	385310809 HAND SPRAYER - CHROME **INCLUDES ITEM 19
19*	385311131 HAND SPRAY BRKT w/SCREW CHROME
20	385311128 500H BASE KIT - WHITE
	385311129 500H BASE KIT - BONE **INCLUDES ITEM 3-13
21**	385345889 3" MPT FLOOR FLANGE
	385345892 3" SOCKET FLOOR FLANGE
	385343765 3" SPIGOT FLOOR FLANGE
	385310961 45° SWIVEL FLOOR FLANGE* *MUST BE USED WITH SEAL INCLUDED IN KIT.

\* ITEMS 17, 18, & 19 ARE OPTIONAL ACCESSORIES;  
NOT PROVIDED WITH EVERY MODEL.

\*\* ITEM 21 IS SOLD SEPARATELY; NOT INCLUDED WITH THE TOILET.

Dometic Corporation - Sanitation Systems  
13128 State Rt. 226, P.O. Box 38  
Big Prairie, OH 44611-0038 USA  
Telephone: 330-496-3211  
Fax: 330-496-3097  
Email: sealand@dometicus.com

# PARTS LIST: 510+



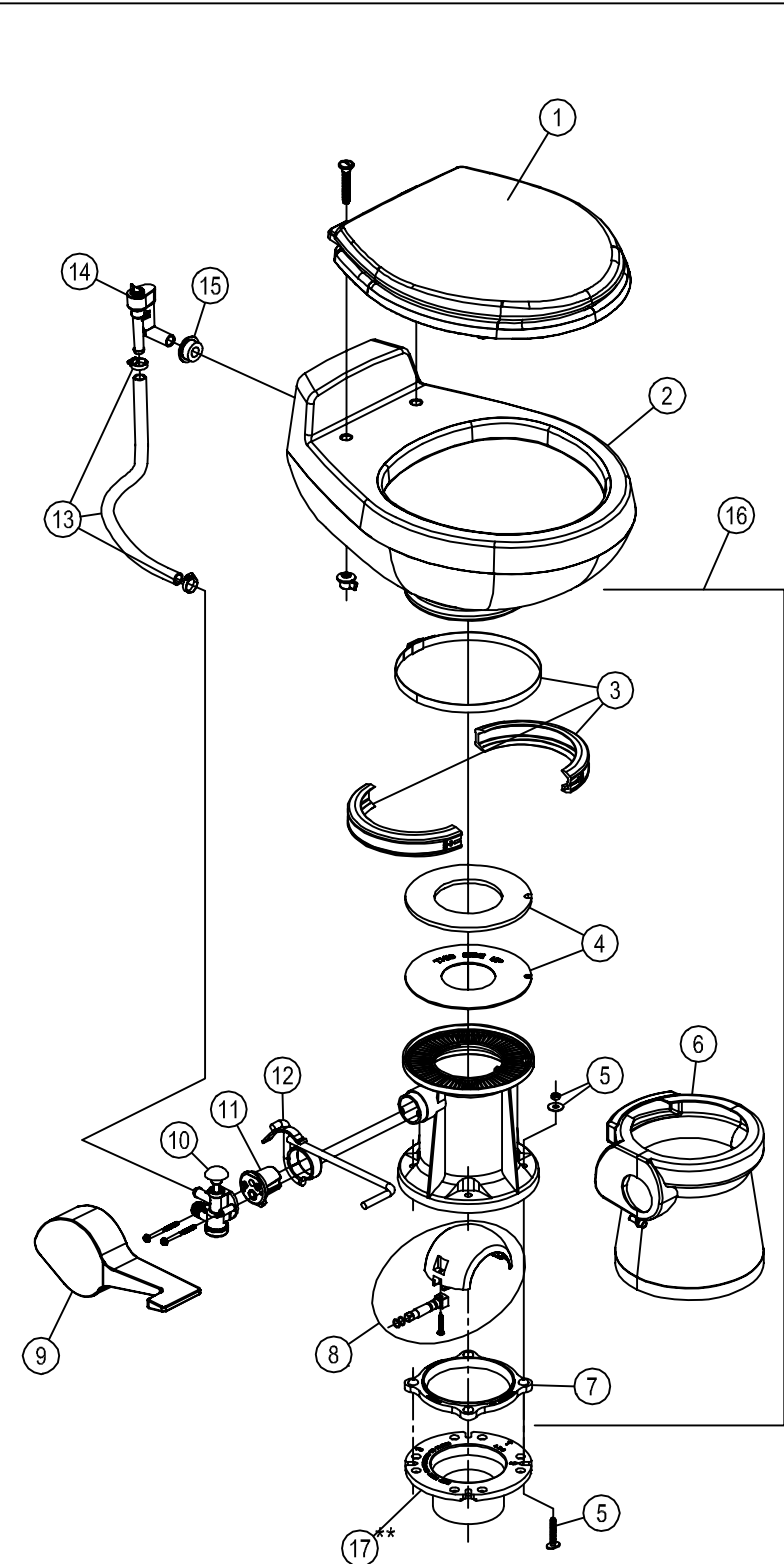
ITEM	PART NO.	DESCRIPTION
1	385343829	SEAT ASSEMBLY, WHITE
	385343831	SEAT ASSEMBLY, BONE
	385343897	SEAT ASSEMBLY, PLATINUM
	385343901	SEAT ASSEMBLY, EBONY
	385343899	SEAT ASSEMBLY, TEAL
2	385310739	CHINA BOWL KIT, WHITE
	385310740	CHINA BOWL KIT, BONE
	385310741	CHINA BOWL KIT, PLATINUM
	385310742	CHINA BOWL KIT, EBONY
	385310743	CHINA BOWL KIT, TEAL
3	385310025	BAND AND HALF CLAMP, KIT WHITE
	385310048	BAND AND HALF CLAMP, KIT BONE
4	385311462	SEAL REPLACEMENT , KIT
5	385310064	MOUNTING HARDWARE
6	385310111	PEDESTAL COVER KIT , WHITE
	385310112	PEDESTAL COVER KIT , BONE
	385310113	PEDESTAL COVER KIT , PLATINUM
	385310173	PEDESTAL COVER KIT , EBONY
	385310203	PEDESTAL COVER KIT , TEAL
7	385310120	BASE KIT, WHITE (inc items 3-12)
	385310121	BASE KIT, BONE (inc items 3-12)
	385310122	BASE KIT, PLATINUM (inc items 3-12)
	385310169	BASE KIT, EBONY (inc items 3-12)
	385310198	BASE KIT, TEAL (inc items 3-12)
8	385318162	KIT,BALL,SHAFT & CART, WHITE(inc. item 11)
	385310177	KIT,BALL,SHAFT & CART, EBONY(inc. item 11)
	385310188	KIT,BALL,SHAFT & CART, TEAL(inc. item 11)
9	385310114	PEDAL COVER, WHITE
	385310115	PEDAL COVER, BONE
	385310116	PEDAL COVER, PLATINUM
	385310175	PEDAL COVER, EBONY
	385310193	PEDAL COVER, TEAL
10	385314349	WATER VALVE, KIT
11	385236096	SPRING CARTRIDGE, KIT
12	385310578	PEDAL, CARTRIDGE, KIT (inc. item 11)
13	385340177	HOSE, SUPPLY - BONE, EBONY, PLAT ,TEAL
	385345377	HOSE, SUPPLY - WHITE
14	385316906	VACUUM BREAKER, KIT - WITHOUT SPRAY
	385230335	VACUUM BREAKER, KIT - WITH SPRAY
15	385319054	VACUUM BREAKER, COMPLETE - WHITE
	385319056	VACUUM BREAKER, COMPLETE - CHROME
	385319057	VACUUM BREAKER, COMPLETE - EBONY
16	385310809	HAND SPRAY, CHROME
	385310873	HAND SPRAY, EBONY
17	385311131	BRACKET,HAND SPRAY-CHROME
	385311125	BRACKET,HAND SPRAY-EBONY
18	385310063	FLOOR FLANGE, KIT (inc item 5)
	385345889	FLOOR FLANGE, 3" MPT
	385345892	FLOOR FLANGE, 3" SOCKET
	385343765	FLOOR FLANGE, 3" SPIGOT
19	385310961	FLOOR FLANGE ADAPTER, 45° SWIVEL (MUST BE USED WITH SEAL INC.)

(ITEM 19 SOLD SEPARATELY)



Dometic Corporation - Sanitation Systems  
13128 State Rt. 226, P.O. Box 38  
Big Prairie, OH 44611-0038 USA  
Telephone: 330-496-3211  
Fax: 330-496-3097  
Email: sealand@dometicus.com

# PARTS LIST: 510 PS MODEL SERIES

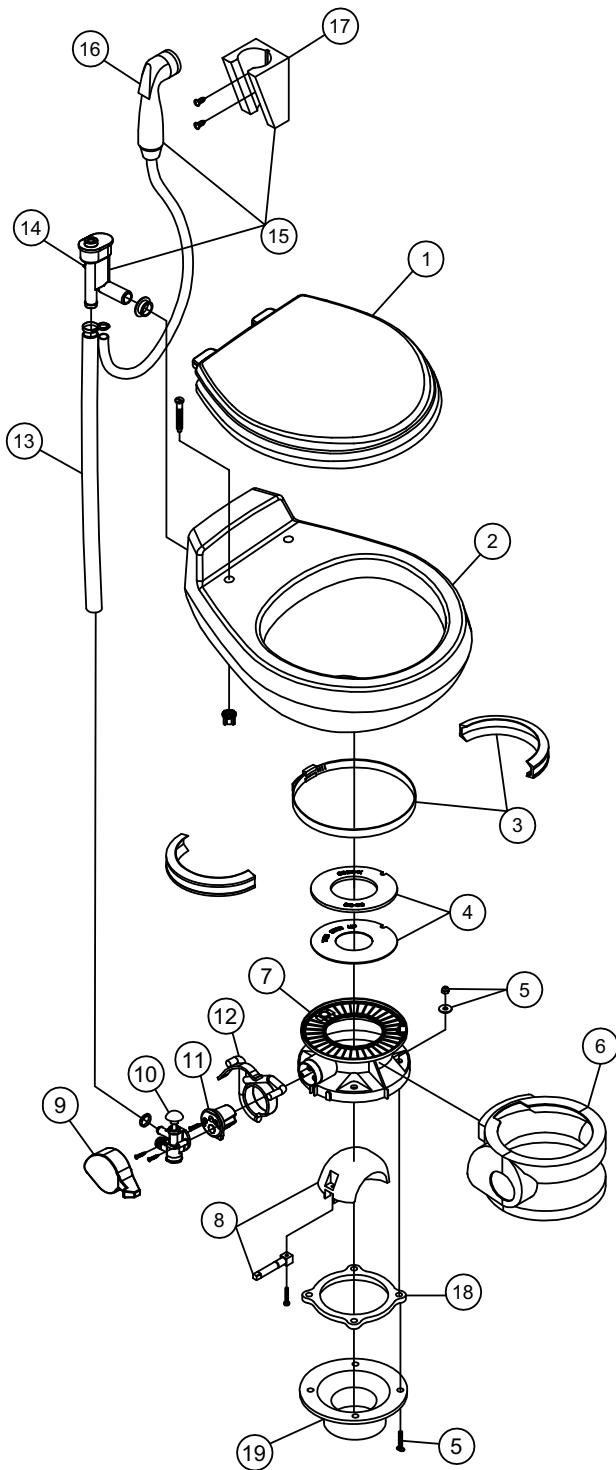


ITEM	PART NUMBER & DESCRIPTION
1	385343829 SEAT/COVER - WHITE
	385343831 SEAT/COVER - BONE
	385343897 SEAT/COVER - PLATINUM
	385343901 SEAT/COVER - EBONY
2	385310739 CHINA BOWL - WHITE
	385310740 CHINA BOWL - BONE
	385310741 CHINA BOWL - PLATINUM
	385310742 CHINA BOWL - EBONY
3	385310048 BOWL/BASE CLAMP KIT
4	385311462 FLUSH BALL SEAL REP'L KIT
5	385310064 MOUNTING HARDWARE
6	385310111 PEDESTAL COVER - WHITE
	385310112 PEDESTAL COVER - BONE
	385310113 PEDESTAL COVER - PLATINUM
	385310173 PEDESTAL COVER - EBONY
7	385310063 FLOOR FLANGE SEAL **INCLUDES ITEM 5.
8	385318162 FLUSH BALL, SHAFT, CARTRIDGE KIT-WHT
	385310177 FLUSH BALL, SHAFT, CARTRIDGE KIT-EBY **INCLUDES ITEM 11.
9	385310114 PEDAL COVER - WHITE
	385310115 PEDAL COVER - BONE
	385310116 PEDAL COVER - PLATINUM
	385310175 PEDAL COVER - EBONY
10	385314349 WATER VALVE KIT
11	385236096 SPRING CARTRIDGE KIT
12	385310578 PEDAL/LEVER & CARTRIDGE KIT **INCLUDES ITEM 11.
13	385340177 BOWL WATER SUPPLY HOSE - WHITE
	385345377 BOWL WATER SUPPLY HOSE - BONE
14	385316906 VACUUM BREAKER KIT **INCLUDES ITEM 15.
15	385311164 1/2" SEALING GROMMET KIT
16	385310120 '10 BASE KIT - WHITE
	385310121 '10 BASE KIT - BONE
	385310122 '10 BASE KIT - PLATINUM
	385310169 '10 BASE KIT - EBONY **INCLUDES ITEMS 3-12.
17**	385345889 3" MPT FLOOR FLANGE
	385345892 3" SOCKET FLOOR FLANGE
	385343765 3" SPIGOT FLOOR FLANGE
	385310961 45° SWIVEL FLOOR FLANGE* *MUST BE USED WITH SEAL INCLUDED IN KIT.

\*\* ITEM 17 IS SOLD SEPARATELY; NOT INCLUDED WITH THE TOILET.

Dometic Corporation - Sanitation Systems  
13128 State Rt. 226, P.O. Box 38  
Big Prairie, OH 44611-0038 USA  
Telephone: 330-496-3211  
Fax: 330-496-3097  
Email: sealand@dometicusa.com

# PARTS LIST: 511 H

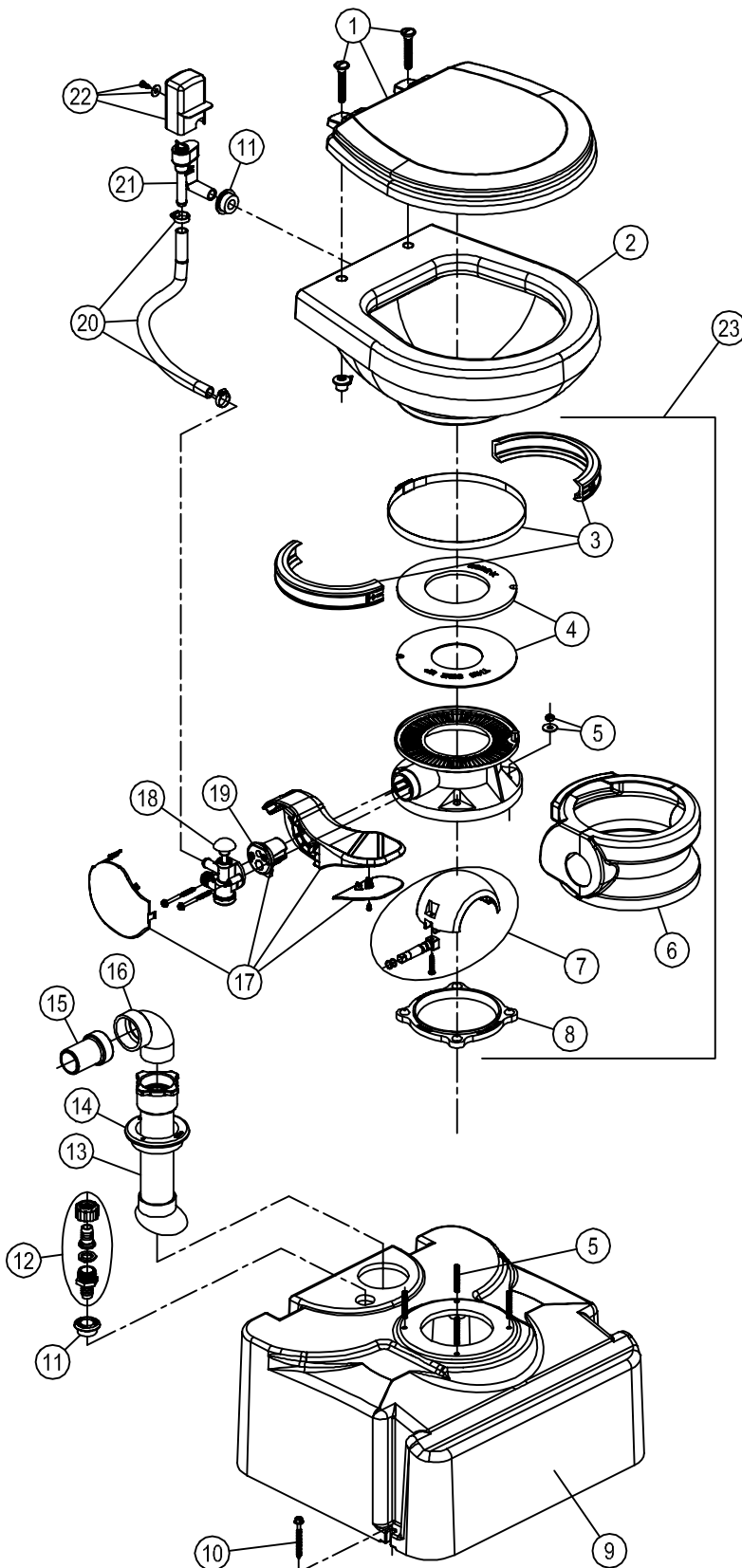


ITEM	PART NO.	DESCRIPTION
1	385343829	SEAT ASSEMBLY, WHITE
	385343831	SEAT ASSEMBLY, BONE
	385343897	SEAT ASSEMBLY, PLATINUM
	385343901	SEAT ASSEMBLY, EBONY
2	385310739	CHINA BOWL KIT, WHITE
	385310740	CHINA BOWL KIT, BONE
	385310741	CHINA BOWL KIT, PLATINUM
	385310742	CHINA BOWL KIT, EBONY
3	385310048	BAND AND HALF CLAMP, KIT
4	385311462	SEAL REPLACEMENT , KIT
5	385310064	MOUNTING HARDWARE
6	385310108	PEDESTAL COVER KIT , WHITE
	385310109	PEDESTAL COVER KIT , BONE
	385310110	PEDESTAL COVER KIT , PLATINUM
	385310600	PEDESTAL COVER KIT , EBONY
7	385311559	KIT, BASE SH'T GRAV S.PED-WHT (INC 3-12)
	385311560	KIT, BASE SH'T GRAV S.PED-BON (INC 3-12)
	385311561	KIT, BASE SH'T GRAV S.PED-PLT (INC 3-12)
	385311562	KIT, BASE SH'T GRAV S.PED-EBY (INC 3-12)
8	385318162	KIT,BALL,SHAFT & CART, WHITE (INC 11)
	385310177	KIT,BALL,SHAFT & CART, EBONY (INC 11)
9	385311551	KIT, SHORT PAD/PEDAL COVER-WHT
	385311552	KIT, SHORT PAD/PEDAL COVER-BNE
	385311554	KIT, SHORT PAD/PEDAL/CART-PLAT
	385311555	KIT, SHORT PAD/PEDAL/CART-EBY
10	385314349	WATER VALVE, KIT
11	385236096	KIT, SPRING CARTRIDGE
12	385311553	KIT, SHORT PAD LEVER/CART (INC 11)
13	385340177	HOSE, SUPPLY - BONE, EBONY, PLAT
	385345377	HOSE, SUPPLY - WHITE
14	385316906	VACUUM BREAKER, KIT - WITHOUT SPRAY
	385230335	KIT, HAND SPRAY VB
15	385319056	KIT, VAC BREAKER W/SPRAY-CHR
	385319054	KIT, VAC BREAK W/SPRAY-WHITE
	385319057	KIT, VAC BREAKER W/SPRAY-EBONY
16	385310809	KIT, HAND SPRAY-CHROME
	385310873	KIT,SPRAY-EBONY
	385311124	KIT, HAND SPRAY-WHITE
17	385311131	BRACKET,HAND SPRAY-CHROME
	385311125	BRACKET,HAND SPRAY-EBONY
	385230319	KIT, BRACKET-HAND SPRAYY
18	385310063	FLOOR FLANGE, KIT (INC 5)
(ITEM 19 SOLD SEPARATELY)		
19	385345889	FLOOR FLANGE, 3" MPT
	385345892	FLOOR FLANGE, 3" SOCKET
	385343765	FLOOR FLANGE, 3" SPIGOT
	385310961	FLOOR FLANGE ADAPTER, 45° SWIVEL (MUST BE USED WITH SEAL INC.)

Dometic Corporation - Sanitation Systems  
13128 State Rt. 226, P.O. Box 38  
Big Prairie, OH 44611-0038 USA  
Telephone: 330-496-3211  
Fax: 330-496-3097  
Email: sealand@dometicusa.com



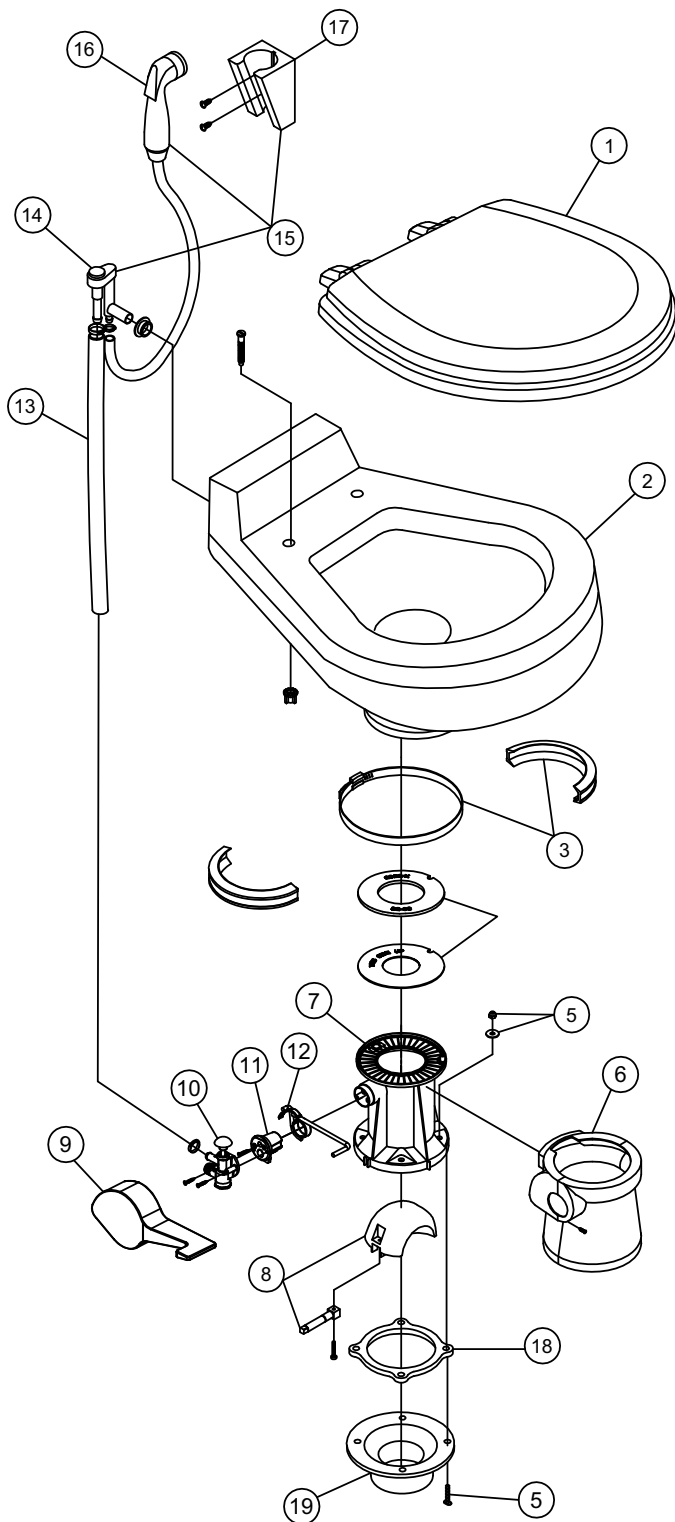
# PARTS LIST: 711-M28 / 312371101 & 312371103



ITEM	PART NUMBER & DESCRIPTION
1	385344436 SEAT/COVER - WHITE
	385344437 SEAT/COVER - BONE
2	385310676 CHINA BOWL KIT - WHITE
	385310781 CHINA BOWL KIT - BONE
3	385310048 BOWL/BASE CLAMP KIT
4	385311462 FLUSH BALL SEAL REPLACEMENT KIT
5	385310534 BASE MOUNTING HARDWARE KIT
6	385310108 PEDESTAL COVER KIT - WHITE
	385310109 PEDESTAL COVER KIT - BONE
7	385310681 FLUSH BALL, SHAFT, CARTRIDGE KIT **INCLUDES ITEM 19.
8	385310063 FLOOR/BASE SEAL
9	385311287 M28 TANK - WHITE
	385310085 M28 TANK - BONE **INCLUDES ITEMS 8; 10-16
10	385310533 M28 TANK MOUNTING HARDWARE
11	385311164 1/2" SEALING GROMMET
12	385314362 M28 TANK VENT FITTING **INCLUDES ITEM 11.
13	385310532 M28 TANK DISCHARGE TUBE ASSEMBLY **INCLUDES ITEM 14.
14	385311110 2" SEALING GROMMET
15	385341513 1-1/2" HOSE ADAPTER FITTING
16	385311886 1-1/2" QUARTER BEND STREET ELBOW
17	385310682 PEDAL/CARTRIDGE KIT - WHITE
	385310762 PEDAL/CARTRIDGE KIT - BONE **INCLUDES ITEM 19.
18	385314349 WATER VALVE KIT
19	385310683 SPRING CARTRIDGE KIT
20	385345377 BOWL WATER SUPPLY HOSE - WHITE
	385340177 BOWL WATER SUPPLY HOSE - BONE
21	385316906 VACUUM BREAKER KIT **INCLUDES ITEM 11.
22	385310696 VACUUM BREAKER COVER - WHITE
	385310782 VACUUM BREAKER COVER - BONE
23	385311286 711 BASE KIT - WHITE
	385310891 711 BASE KIT - BONE
	**INCLUDES ITEM 3-8 & 17-19.

Dometic Corporation - Sanitation Systems  
13128 State Rt. 226, P.O. Box 38  
Big Prairie, OH 44611-0038 USA  
Telephone: 330-496-3211  
Fax: 330-496-3097  
Email: sealand@dometicus.com

# PARTS LIST: 2010

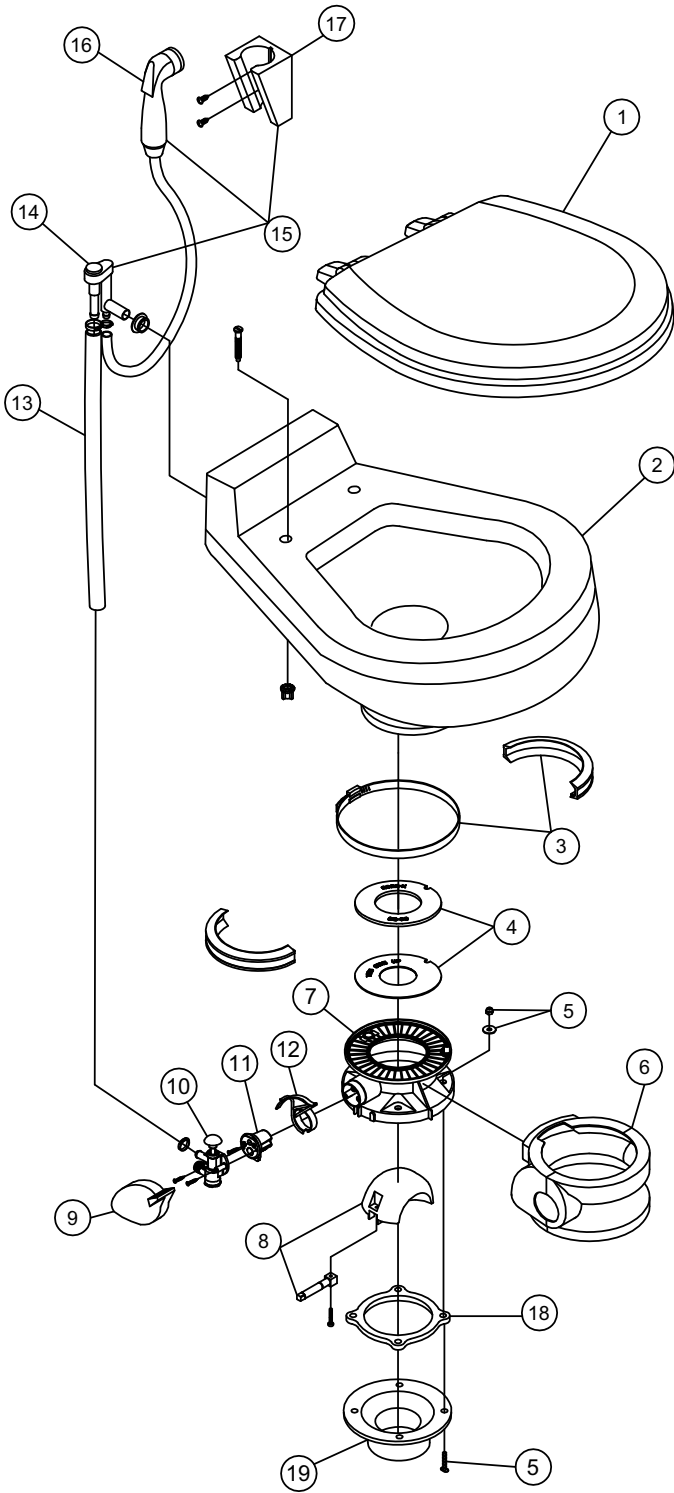


ITEM	PART NO.	DESCRIPTION
1	385344436	SEAT ASSEMBLY, WHITE
	385344437	SEAT ASSEMBLY, BONE
	385344438	SEAT ASSEMBLY, EBONY
2	385310615	CHINA BOWL KIT, WHITE
	385310616	CHINA BOWL KIT, BONE
	385310585	CHINA BOWL KIT, EBONY
3	385310048	BAND & HALF CLAMP KIT BONE
	385310025	BAND & HALF CLAMP KIT WHITE
4	385311462	SEAL REPLACEMENT KIT
5	385310064	MOUNTING HARDWARE
6	385310111	PEDESTAL COVER KIT - WHITE
	385310112	PEDESTAL COVER KIT - BONE
	385310173	PEDESTAL COVER KIT - EBONY
7	385310120	BASE KIT - WHITE (inc items 3-12)
	385310121	BASE KIT - BONE (inc items 3-12)
	385310169	BASE KIT - EBONY (inc items 3-12)
8	385318162	KIT,BALL,SHAFT & CART- WHITE(inc. item 11)
	385310177	KIT,BALL,SHAFT & CART- EBONY(inc. item 11)
9	385310114	PEDAL COVER - WHITE
	385310115	PEDAL COVER - BONE
	385310175	PEDAL COVER - EBONY
10	385314349	WATER VALVE - KIT
11	385236096	SPRING CARTRIDGE - KIT
12	385310578	PEDAL, CARTRIDGE, KIT (inc. item 11)
13	385340177	HOSE, SUPPLY - BONE & EBONY.
	385345377	HOSE, SUPPLY - WHITE
14	385316906	VACUUM BREAKER, KIT - USED WITHOUT SPRAY
	385230335	VACUUM BREAKER, KIT - USED WITH SPRAY
15	385319056	VACUUM BREAKER, COMPLETE - CHROME
	385319057	VACUUM BREAKER, COMPLETE - EBONY
16	385310873	HAND SPRAY - EBONY.
	385310809	HAND SPRAY - CHROME
17	385311131	BRACKET,HAND SPRAY-CHROME
	385311125	BRACKET,HAND SPRAY-EBONY
18	385310063	FLOOR FLANGE, (inc item 5)
19	385345889	FLOOR FLANGE, 3" MPT
	385345892	FLOOR FLANGE, 3" SOCKET
	385343765	FLOOR FLANGE, 3" SPIGOT
	385310961	FLOOR FLANGE ADAPTER, 45° SWIVEL (MUST BE USED WITH SEAL INC.)

(ITEM 19 SOLD SEPARATELY)

**Dometic** *Sealand*  
Dometic Corporation - Sanitation Systems  
13128 State Rt. 226, P.O. Box 38  
Big Prairie, OH 44611-0038 USA  
Telephone: 330-496-3211  
Fax: 330-496-3097  
Email: sealand@dometicus.com

# PARTS LIST: 2011



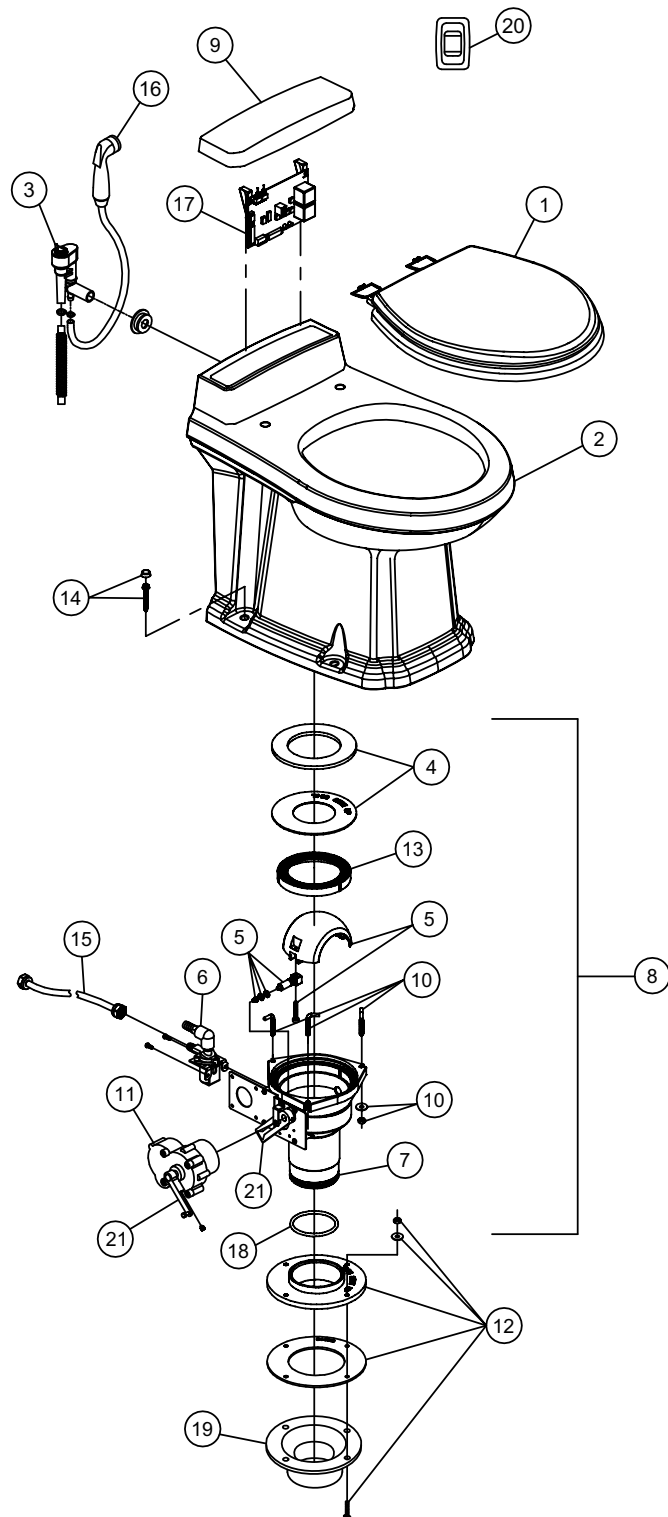
ITEM	PART NO.	DESCRIPTION
1	385344436	SEAT ASSEMBLY, WHITE
	385344437	SEAT ASSEMBLY, BONE
	385344438	SEAT ASSEMBLY, EBONY
2	385310615	CHINA BOWL KIT, WHITE
	385310616	CHINA BOWL KIT, BONE
	385310585	CHINA BOWL KIT, EBONY
3	385310048	BAND AND HALF CLAMP, KIT BONE
	385310025	BAND AND HALF CLAMP, KIT WHITE
4	385311462	SEAL REPLACEMENT , KIT
5	385310064	MOUNTING HARDWARE
6	385310108	PEDESTAL COVER KIT , WHITE
	385310109	PEDESTAL COVER KIT , BONE
	385310600	PEDESTAL COVER KIT , EBONY
7	385310123	BASE KIT, WHITE (inc items 3-12)
	385310124	BASE KIT, BONE (inc items 3-12)
	385310588	BASE KIT, EBONY (inc items 3-12)
8	385318162	KIT,BALL,SHAFT & CART, WHITE(inc. item 11)
	385310177	KIT,BALL,SHAFT & CART, EBONY(inc. item 11)
9	385310117	PEDAL COVER, WHITE
	385310118	PEDAL COVER, BONE
	385310593	PEDAL COVER, EBONY
10	385314349	WATER VALVE, KIT
11	385236096	SPRING CARTRIDGE, KIT
12	385310579	PEDAL, CARTRIDGE, KIT (inc. item 11)
13	385340177	HOSE, SUPPLY - BONE & EBONY.
	385345377	HOSE, SUPPLY - WHITE
14	385316906	VACUUM BREAKER, KIT - WITHOUT SPRAY
	385230335	VACUUM BREAKER, KIT - WITH SPRAY
15	385319056	VACUUM BREAKER, SPRAY & BRACKET, KIT
16	385310809	HAND SPRAY, CHROME
	385310873	HAND SPRAY, EBONY.
17	385311131	BRACKET,HAND SPRAY-CHROME
	385311125	BRACKET,HAND SPRAY-EBONY
18	385310063	FLOOR FLANGE, KIT (inc item 5)
19	385345889	FLOOR FLANGE, 3" MPT
	385345892	FLOOR FLANGE, 3" SOCKET
	385343765	FLOOR FLANGE, 3" SPIGOT
	385310961	FLOOR FLANGE ADAPTER, 45° SWIVEL <small>*MUST BE USED WITH SEAL PROVIDED.</small>

(ITEM 19 SOLD SEPARATELY)



Dometic Corporation - Sanitation Systems  
13128 State Rt. 226, P.O. Box 38  
Big Prairie, OH 44611-0038 USA  
Telephone: 330-496-3211  
Fax: 330-496-3097  
Email: sealand@dometicus.com

# PARTS LIST: 3110 PLUG IN BASE



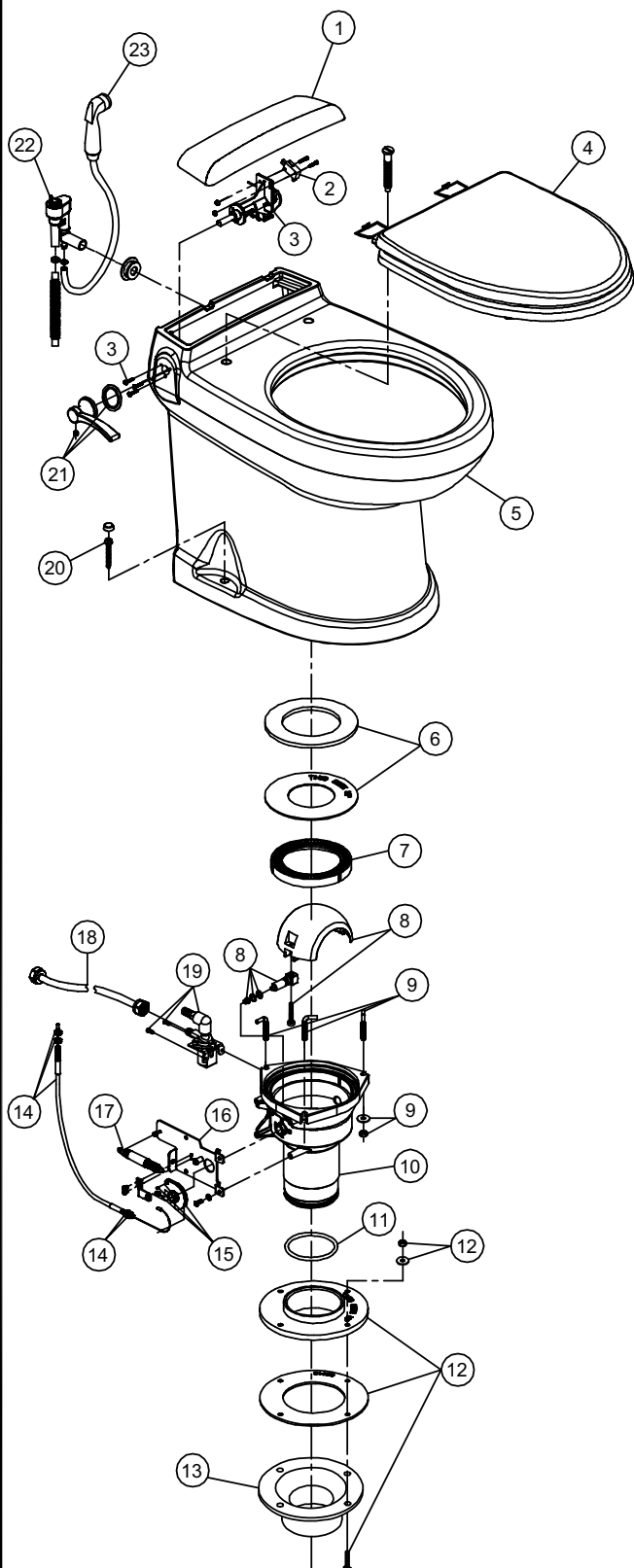
ITEM	PART NUMBER	DESCRIPTION
1	385344013	KIT, SEAT-CV'R MAG OP-WHITE
	385344014	KIT, SEAT-CV'R MAG OP-BONE
	385344018	KIT, SEAT-CV'R MAG OP-PLAT
	385344019	KIT, SEAT-CV'R MAG OP-EBONY
2	385310811	KIT,BOWL MAGNUM OPUS WHT TALL
	385310812	KIT,BOWL MAGNUM OPUS BONE TALL
	385310867	KIT,BOWL MAGNUM OPUS PLAT TALL
	385310869	KIT,BOWL MAGNUM OPUS EBY TALL
3	385310807	KIT, VAC BRK'R ASY/PLUGIN BASE
	385310808	KIT, VAC BRK'K SPRAY/PLUGIN BS
4	385311009	KIT, PLUG IN BASE SEALS
5	385310969	KIT, MO HALFB'L/SHAFT AY-WHT
	385310971	KIT, MO HALFB'L/SHAFT AY-EBY
6	385310821	KIT, WATER VALVE12/MAGNUM OPUS
7	385311051	KIT, BASE 3010 ASSY (INC. 4,5,10,13)
8	385311050	KIT, BASE 3010 PLUGIN COMPLETE
9	385310851	KIT,ACCESS LID/MAGNUM OPUS WHT
	385310852	KIT,ACCESS LID/MAGNUM OPUS BON
	385310864	KIT,ACCESS LID MAG OPUS/PLAT
	385310866	KIT,ACCESS LID/MAGNUM OPUS EBY
10	385311011	KIT, CON'TO L-BOLT/NUTS/WSHR
11	385310822	KIT, 12 MOTOR/MTG HARDWARE MO
12	385311013	KIT, CON'TO FLOOR FLANGE ADPT
13	385311292	KIT, BASE RING INSERT
14	385310785	KIT, MOUNTING-ECOVAC - BONE
	385310679	KIT, MOUNTING-ECOVAC - WHITE
	385310813	KIT, MOUNT/MAGNUM OPUS/CHROME
	385310814	KIT, MOUNT/MAGNUM OPUS/GOLD
15	385311018	KIT, PLUG-IN SUPPLY HOSE
16	385310809	KIT, HAND SPRAY-CHROME
	385310873	KIT,SPRAY-EBONY
17	385310887	KIT,MAG OPUS C BOARD-12/TRAV
18	385311294	KIT, O'RING PLUG-IN BASE
19	385343765	FLOOR FLANGE 3" SPIGOT (NOT INC.)
	385345892	FLOOR FLANGE 3" HUB (NOT INC.)
	385345889	FLOOR FLANGE 3" MPT (NOT INC.)
	307344653	FLOOR FLANGE 45° SWIVEL (NOT INC.)
20	385311139	KIT, WALL MT SWITCH-GRAVITY (CABLE INC. 8')
21	385311417	KIT, BASE DRIVE ARMS
N/S	385310854	KIT,ACCESS LID MT/MAGNUM OPUS

\* WHENEVER THE BASE IS REMOVED, YOU MUST REPLACE THE L-BOLTS AND NUTS.



Dometic Corporation - Sanitation Systems  
13128 State Rt. 226, P.O. Box 38  
Big Prairie, OH 44611-0038 USA  
Telephone: 330-496-3211  
Fax: 330-496-3097  
Email: sealand@dometicusa.com

## PARTS LIST: 3200 PLUG IN BASE



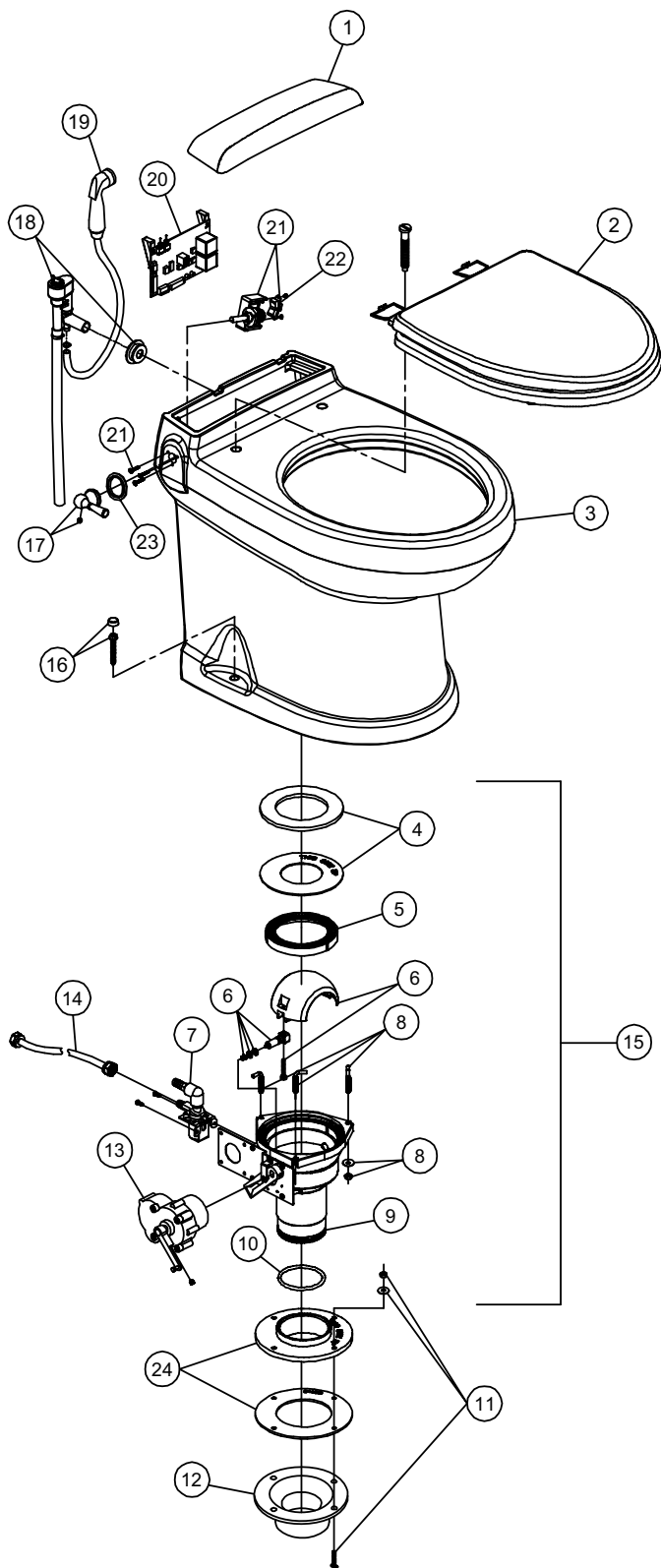
ITEM	PART NO.	DESCRIPTION
1	385311001	ACCESS COVER, WHITE
	385311002	ACCESS COVER, BONE
2	385311003	FLUSH SWITCH ASSY
3	385311004	FLUSH SHAFT HANDLE KIT
4	385311005	SEAT & LID WHITE
	385311006	SEAT & LID BONE
5	385311007	CHINA BOWL, WHITE (inc. lid & dual lock)
	385311008	CHINA BOWL, BONE (inc. lid & dual lock)
6	385311009	BOWL SEAL KIT
7	600343534	RING BASE INSERT
8	385311010	SHAFT/HALF BALL KIT
9	385311011	J-BOLT W/NUTS, WASHER
10	385311028	CONCERTO BASE
11	600344609	O'RING 3.1 X 3.5 X .21
12	385311013	FLOOR FLANGE ADAPTER KIT
13*	385343765	FLOOR FLANGE 3" SPIGOT
	385345892	FLOOR FLANGE 3" HUB
	385345889	FLOOR FLANGE 3" MALE PIPE THREAD
	385310961	FLOOR FLANGE 45° SWIVEL *must use with seal included in kit.
14	385311014	FLUSH CABLE KIT
15	385311015	PULLEY KIT
16	385311016	BASE BRACKET
17	385311017	RETURN SPRING KIT
18	385311018	SUPPLY, HOSE
19	385310821	KIT, WATER VALVE12
20	385311020	MOUNTING HARDWARE CHROME
	385311021	MOUNTING HARDWARE GOLD
	385311022	KIT, CON'TO MT'G HARD-BONE/WHT
21	385311023	FLUSH HANDLE CHROME
	385311024	FLUSH HANDLE GOLD
	385311025	FLUSH HANDLE NICKEL
22	385310807	KIT, VAC BRK'R ASY/PLUGIN BASE
	385310808	KIT, VAC BRK'K SPRAY/PLUGIN BASE
23	385310809	HAND SPRAY, CHROME

\*ITEM 13 SOLD SEPARATELY



Dometic Corporation - Sanitation Systems  
13128 State Rt. 226, P.O. Box 38  
Big Prairie, OH 44611-0038 USA  
Telephone: 330-496-3211  
Fax: 330-496-3097  
Email: sealand@dometicusa.com

# PARTS LIST: 3310 PLUG IN BASE

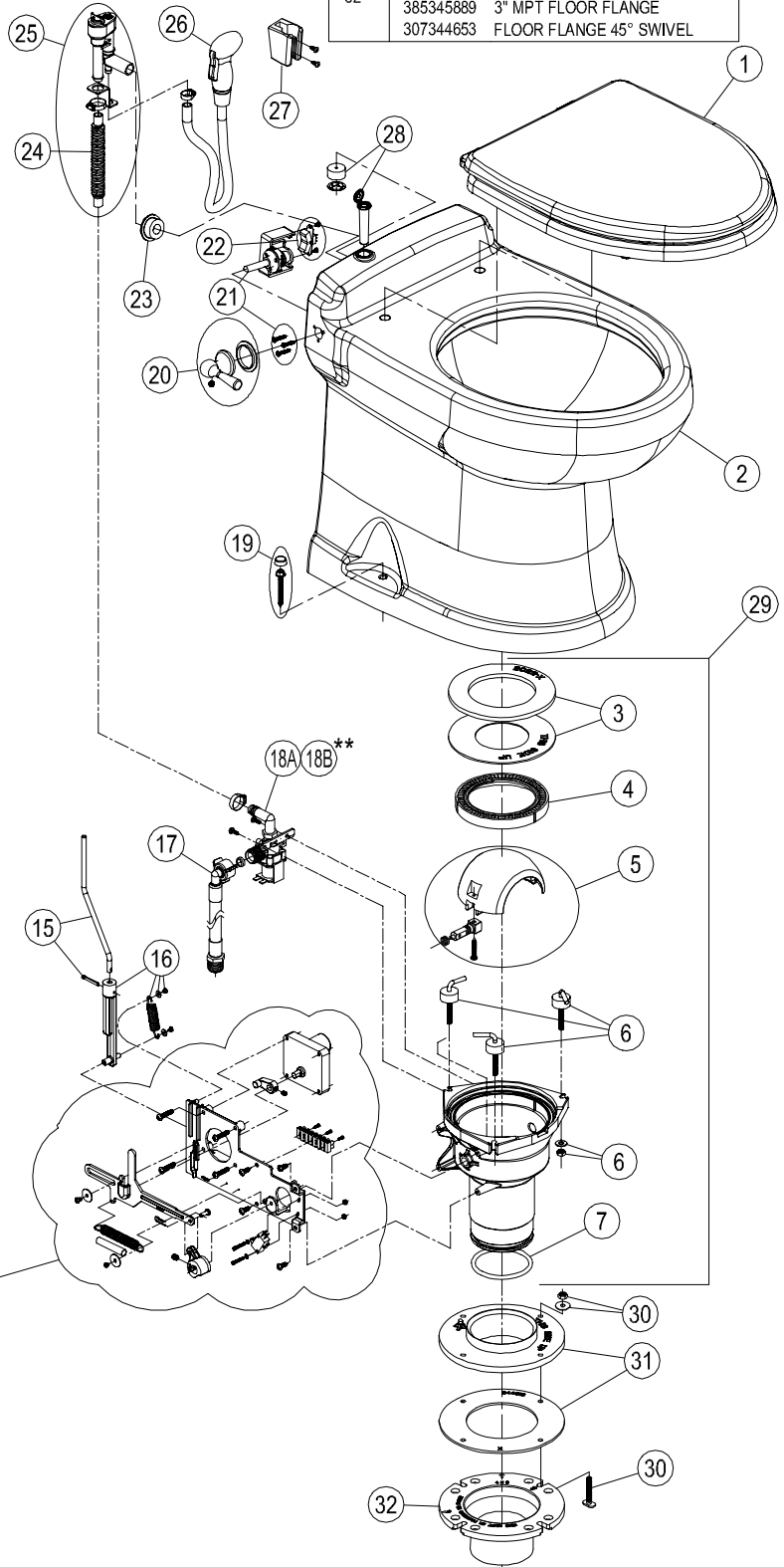


ITEM	PART NUMBER	DESCRIPTION
1	385311001	ACCESS COVER, WHITE
	385311002	ACCESS COVER, BONE
2	385311005	SEAT & COVER - WHITE
	385311006	SEAT & COVER - BONE
3	385311007	CHINA BOWL, WHITE
	385311008	CHINA BOWL, BONE
4	385311009	KIT, SEAL PLUG IN BASE
5	385311292	KIT, BASE RING INSERT
6	385310969	SHAFT/ HALF BALL KIT
7	385310821	WATER VALVE w/MOUNTING SCREWS (12VDC)
8	385311011	L- BOLTS/NUTS /WASH/ PLUG IN BASE
9	385311051	BASE PLUG IN (inc. item 8 - 10)
10	385311294	KIT, O'RING PLUG-IN BASE
11	385310064	MOUNTING KIT
12	385343765	FLOOR FLANGE 3" SPIGOT (sold separately)
	385345892	FLOOR FLANGE 3" HUB (sold separately)
	385345889	FLOOR FLANGE 3" MALE PIPE THREAD (sold separately)
	307344653	FLOOR FLANGE 45° SWIVEL (sold separately)
13	385310822	MOTOR & MOUNTING HARDWARE (12VDC)
14	385311018	SUPPLY HOSE
15	385311177	COMPLETE BASE 3310 PLUG IN (INCLUDES ITEMS 4-11&13)
16	385310679	MOUNTING KIT - WHITE
	385310785	MOUNTING KIT - BONE
17	385310962	FLUSH HANDLE WITH SET SCREW, CHROME
	385310963	FLUSH HANDLE WITH SET SCREW, GOLD
	385311141	FLUSH HANDLE WITH SET SCREW, NICKEL
18	385311026	VACUUM BREAKER KIT
	385311027	VACUUM BREAKER KIT - WITH SPRAY
19	385310809	HAND SPRAY
20	385311174	CONTROL MODULE 12VDC GRAVITY
21	385311175	FLUSH CONTROL ASSEMBLY w/CABLE
22	385311176	ROCKER SWITCH w/CABLE
23	600344695	WASHER, FLUSH HANDLE
24	385311013	FLOOR FLANGE ADAPTER KIT
N/S	385310854	ACCESS COVER MOUNTING KIT
N/S	385311417	KIT, BASE DRIVE ARMS

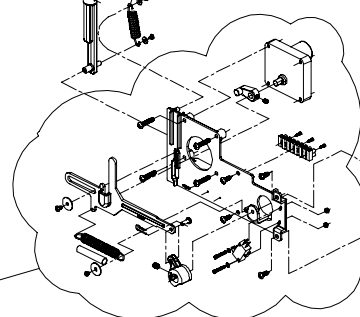
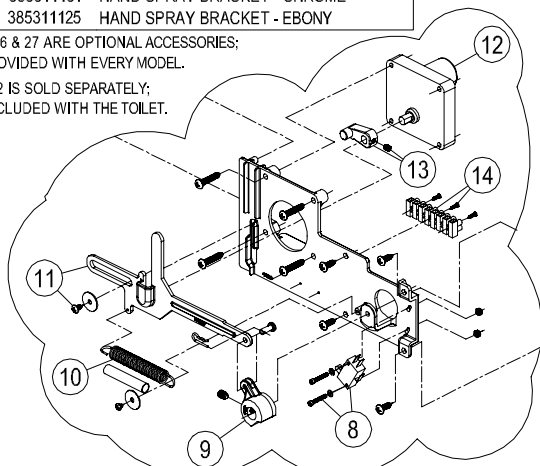
# PARTS LIST: 4310 MODEL

ITEM	PART NUMBER & DESCRIPTION					
1	385311005 SEAT/COVER - WHITE	28	385311733 MANUAL OVERRIDE GUIDE - WHITE	30	385310064 FLOOR FLANGE MOUNTING HARDWARE	
	385311006 SEAT/COVER - BONE		385311734 MANUAL OVERRIDE GUIDE - BONE		31	385311013 FLOOR FLANGE ADAPTER KIT **INCLUDES ITEMS 30
	385311597 SEAT/COVER - EBONY		385311735 MANUAL OVERRIDE GUIDE - EBONY			
2	385311730 4300/4400 BOWL KIT - WHITE	29	385311729 4310/4410 PLUG-IN BASE KIT - WHITE	32**	385343765 3" SPIGOT FLOOR FLANGE	
	385311731 4300/4400 BOWL KIT - BONE		4310/4410 PLUG-IN BASE KIT - EBONY		385345892 3" SOCKET FLOOR FLANGE	
	385311732 4300/4400 BOWL KIT - EBONY **INCLUDES ITEM 6		**INCLUDES ITEM 3-16 & 18		385345889 3" MPT FLOOR FLANGE	
3	385311009 FLUSH BALL SEAL REPL KIT **INCLUDES ITEM 6				307344653 FLOOR FLANGE 45° SWIVEL	

4	385311292 BASE FLUSH BALL RING KIT
5	385310969 FLUSH BALL/SHAFT REPL KIT
6	385311011 BASE TO BOWL MOUNTING HARDWARE
7	385311294 BASE O'RING REPL KIT
8	385311003 FLUSH ACTUATION SWITCH
9	385311296 FLUSH BALL CAM REPL KIT
10	385311297 FLUSH MECHANISM RETURN SPRING
11	385311303 FLUSH MECHANISM LINKAGE
12	385311300 MOTOR REPLACEMENT KIT - 12VDC
13	385311299 MOTOR DRIVE ARM REPL KIT
14	385311298 WIRING TERMINAL BLOCK REPL
15	385311736 MANUAL OVERRIDE REPL ROD
16	385311301 MANUAL O'RIDE REPL RETURN SPRING
17	385311547 WATER SUPPLY HOSE
18A	385311545 WATER VALVE KIT - 12VDC
18B	385311709 RETROFIT WATER VALVE KIT - 12VDC **INCLUDES MOUNTING BRACKET. **FOR 2009 & OLDER MODEL TOILETS.
19	385311022 BOWL MOUNTING HARDWARE
20	385310962 FLUSH HANDLE KIT - CHROME 385310963 FLUSH HANDLE KIT - GOLD 385311141 FLUSH HANDLE KIT - NICKLE
21	385311291 FLUSH HANDLE ASSEMBLY **INCLUDES ITEM 22
22	385311290 FLUSH HANDLE SWITCH w/WIRING
23	385311111 1-1/2" SEALING GROMMET
24	385311869 CORRUGATED BOWL SUPPLY HOSE
25	385310807 VACUUM BREAKER KIT 385310808 VACUUM BREAKER KIT FOR HAND SPRAY **INCLUDES ITEM 23
26*	385310809 HAND SPRAYER - CHROME 385310873 HAND SPRAYER - EBONY **INCLUDES ITEM 27
27*	385311131 HAND SPRAY BRACKET - CHROME 385311125 HAND SPRAY BRACKET - EBONY



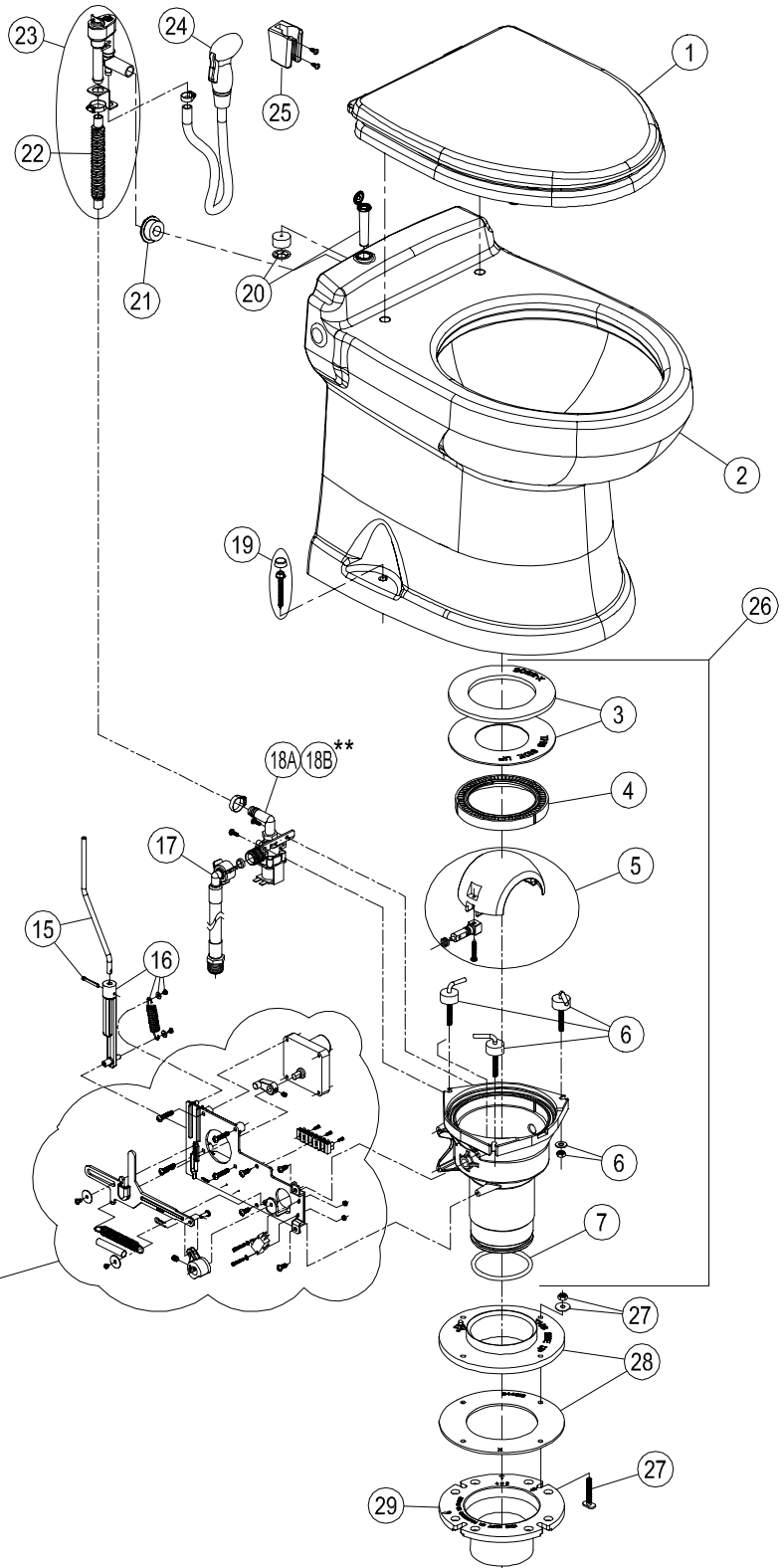
\* ITEMS 26 & 27 ARE OPTIONAL ACCESSORIES;  
NOT PROVIDED WITH EVERY MODEL.  
\*\* ITEM 32 IS SOLD SEPARATELY;  
NOT INCLUDED WITH THE TOILET.



Dometic Corporation - Sanitation Systems  
13128 State Rt. 226, P.O. Box 38  
Big Prairie, OH 44611-0038 USA  
Telephone: 330-496-3211  
Fax: 330-496-3097  
Email: sealand@dometicusa.com

# PARTS LIST: 4410 MODEL

ITEM	PART NUMBER & DESCRIPTION	27	385310064 FLOOR FLANGE MOUNTING HARDWARE	385343765 3" SPIGOT FLOOR FLANGE
1	385311005 SEAT/COVER - WHITE	28	385311013 FLOOR FLANGE ADAPTER KIT **INCLUDES ITEMS 27	29** 385345892 3" SOCKET FLOOR FLANGE
	385311006 SEAT/COVER - BONE			385345889 3" MPT FLOOR FLANGE
	385311597 SEAT/COVER - EBONY			307344653 FLOOR FLANGE 45° SWIVEL
2	385311730 4300/4400 BOWL KIT - WHITE			
	385311731 4300/4400 BOWL KIT - BONE			
	385311732 4300/4400 BOWL KIT - EBONY **INCLUDES ITEM 6			
3	385311009 FLUSH BALL SEAL REPL KIT **INCLUDES ITEM 6			
4	385311292 BASE FLUSH BALL RING KIT			
5	385310969 FLUSH BALL/SHAFT REPL KIT			
6	385311011 BASE TO BOWL MOUNTING HARDWARE			
7	385311294 BASE O'RING REPL KIT			
8	385311003 FLUSH ACTUATION SWITCH			
9	385311296 FLUSH BALL CAM REPL KIT			
10	385311297 FLUSH MECHANISM RETURN SPRING			
11	385311303 FLUSH MECHANISM LINKAGE			
12	385311300 MOTOR REPLACEMENT KIT - 12VDC			
13	385311299 MOTOR DRIVE ARM REPL KIT			
14	385311298 WIRING TERMINAL BLOCK REPL			
15	385311736 MANUAL OVERRIDE REPL ROD			
16	385311301 MANUAL O'RIDE REPL RETURN SPRING			
17	385311547 WATER SUPPLY HOSE			
18A	385311545 WATER VALVE KIT - 12VDC			
18B	385311709 RETROFIT WATER VALVE KIT - 12VDC **INCLUDES MOUNTING BRACKET. **FOR 2009 & OLDER MODEL TOILETS.			
19	385311022 BOWL MOUNTING HARDWARE			
20	385311733 MANUAL OVERRIDE GUIDE - WHITE			
	385311734 MANUAL OVERRIDE GUIDE - BONE			
	385311735 MANUAL OVERRIDE GUIDE - EBONY			
21	385311111 1-1/2" SEALING GROMMET			
22	385311869 CORRUGATED BOWL SUPPLY HOSE			
23	385310807 VACUUM BREAKER KIT			
	385310808 VACUUM BREAKER KIT FOR HAND SPRAY **INCLUDES ITEM 21			
24*	385310809 HAND SPRAYER - CHROME			
	385310873 HAND SPRAYER - EBONY **INCLUDES ITEM 25			
25*	385311131 HAND SPRAY BRACKET - CHROME			
	385311125 HAND SPRAY BRACKET - EBONY			
26	385311729 4310/4410 PLUG-IN BASE KIT - WHITE			
	385311737 4310/4410 PLUG-IN BASE KIT - EBONY **INCLUDES ITEM 3-16 & 18			



\* ITEMS 24 & 25 ARE OPTIONAL ACCESSORIES;  
NOT PROVIDED WITH EVERY MODEL.

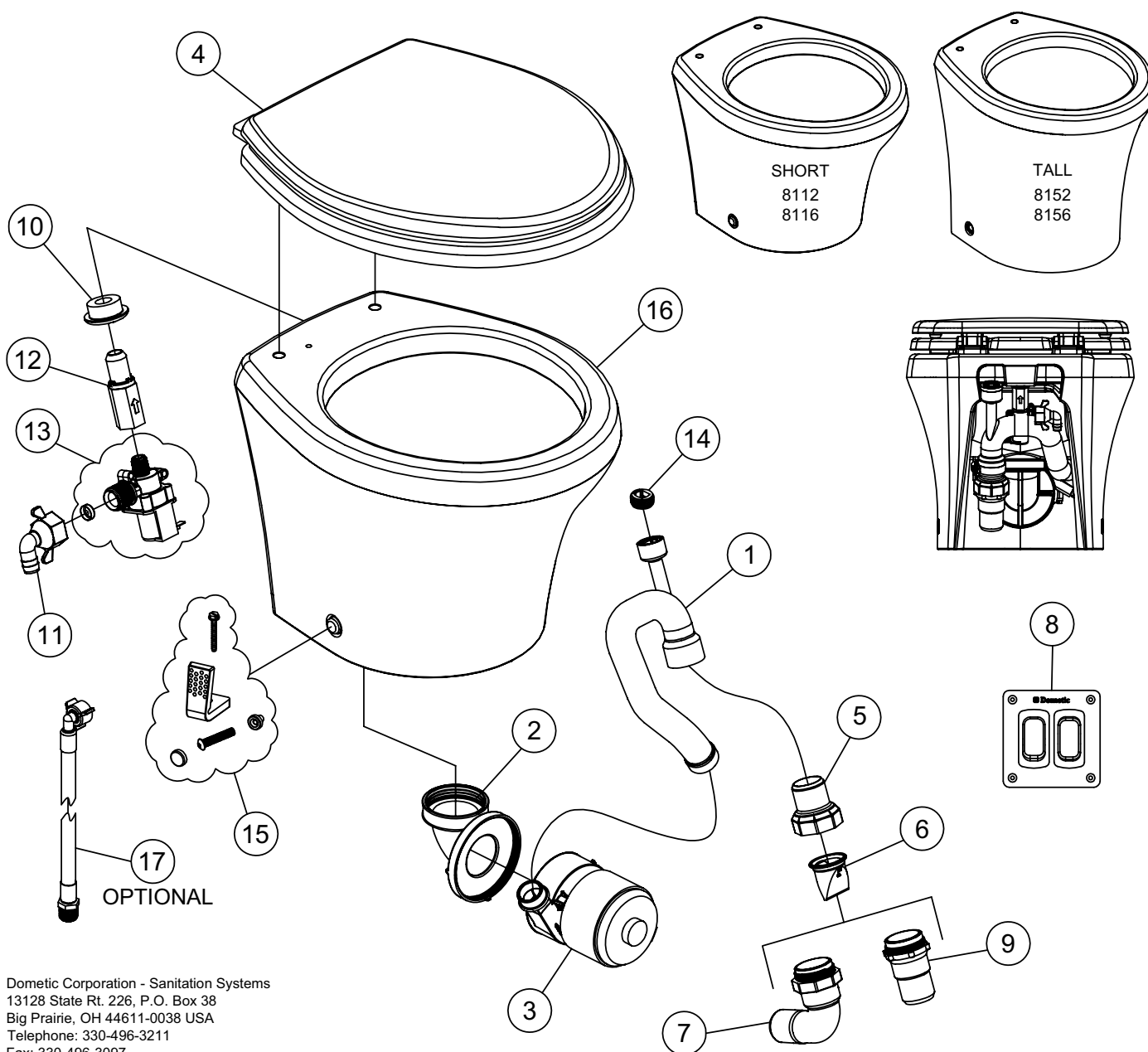
\*\* ITEM 29 IS SOLD SEPARATELY;  
NOT INCLUDED WITH THE TOILET.

Dometic Corporation - Sanitation Systems  
13128 State Rt. 226, P.O. Box 38  
Big Prairie, OH 44611-0038 USA  
Telephone: 330-496-3211  
Fax: 330-496-3097  
Email: sealand@dometicusa.com



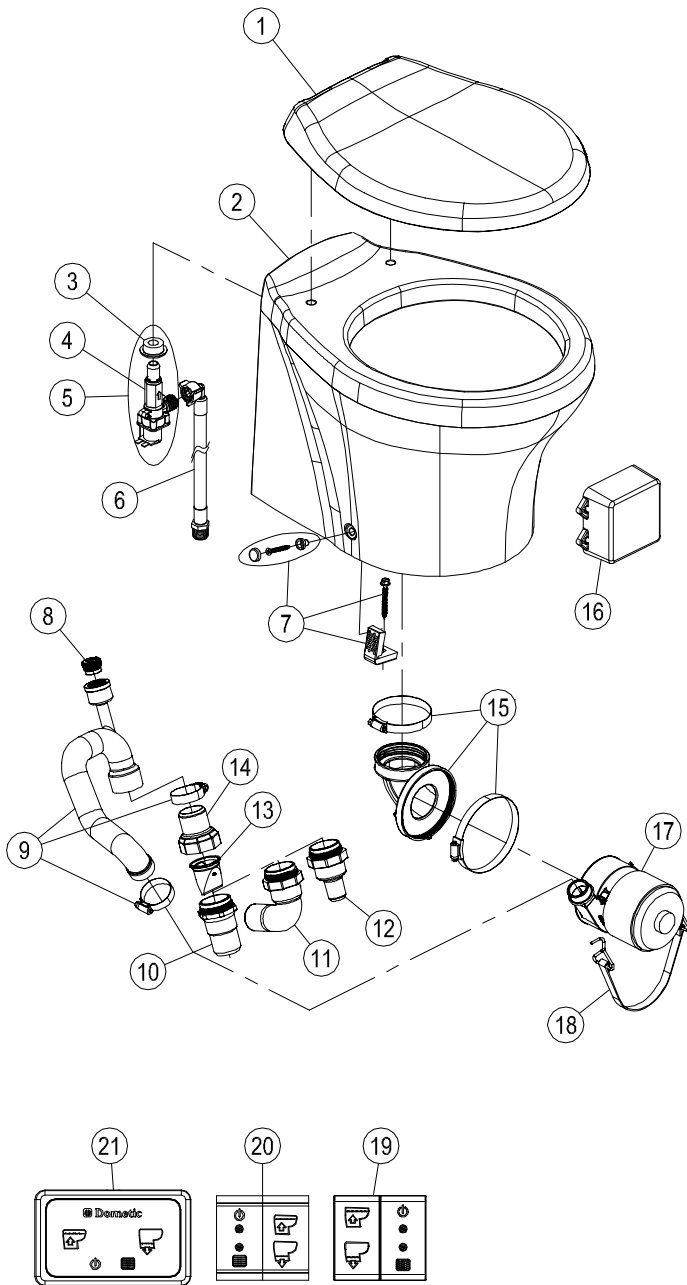
# PARTS LIST: 8100 SERIES

ITEM	PART NO.	DESCRIPTION	ITEM	PART NO.	DESCRIPTION
1	385880065	KIT, TUBE OUTLET SHORT M'FLUSH	11	385311717	KIT, 1/2" FPT SWIVEL ELBOW
2	385880067	KIT, BOWL OUTLET M'FLUSH	12	385880073	KIT CHECK VALVE M'FLUSH (INC. 10)
3	385880068	KIT, MOTOR ASSEMBLY 12VDC M'FLUSH	13	385880074	KIT, W'VALVE 12VDC M'FLUSH (INC. 10,12)
	385880069	KIT, MOTOR ASSEMBLY 24VDC M'FLUSH		385880075	KIT, W'VALVE 24VDC M'FLUSH (INC. 10,12)
4	385311694	KIT, SEAT-CV'R 4800 WOOD-WHITE	14	385880080	KIT, ANTISIPHON VALVE M'FLUSH
	385311695	KIT, SEAT-CV'R 4800 WOOD-BONE	15	385311463	KIT, 4800 CHINA MTG
5	385880070	KIT, ADAPTER M'FLUSH	16	385880076	KIT, BOWL 8900 SHORT WHITE
6	385311620	KIT, DB VALVE 1-1/2"-BLACK (1)		385880077	KIT, BOWL 8900 SHORT BONE
7	385880071	KIT, 1-1/2" OUTLET EL M'FLUSH		385880078	KIT, BOWL 8900 TALL WHITE
8	385311702	KIT, 8100 FLUSH SWITCH ASSY		385880079	KIT, BOWL 8900 TALL BONE
9	385311315	KIT, NIPPLE-RH THREADS	17	385311547	KIT, SUPPLY HOSE-4800 (OPTIONAL)
10	385311164	KIT, SEALING GROMMET 1/2"	N/S	385880083	KIT, STRAP MOTOR M'FLUSH



Dometic Corporation - Sanitation Systems  
13128 State Rt. 226, P.O. Box 38  
Big Prairie, OH 44611-0038 USA  
Telephone: 330-496-3211  
Fax: 330-496-3097  
Email: sealand@dometicusa.com

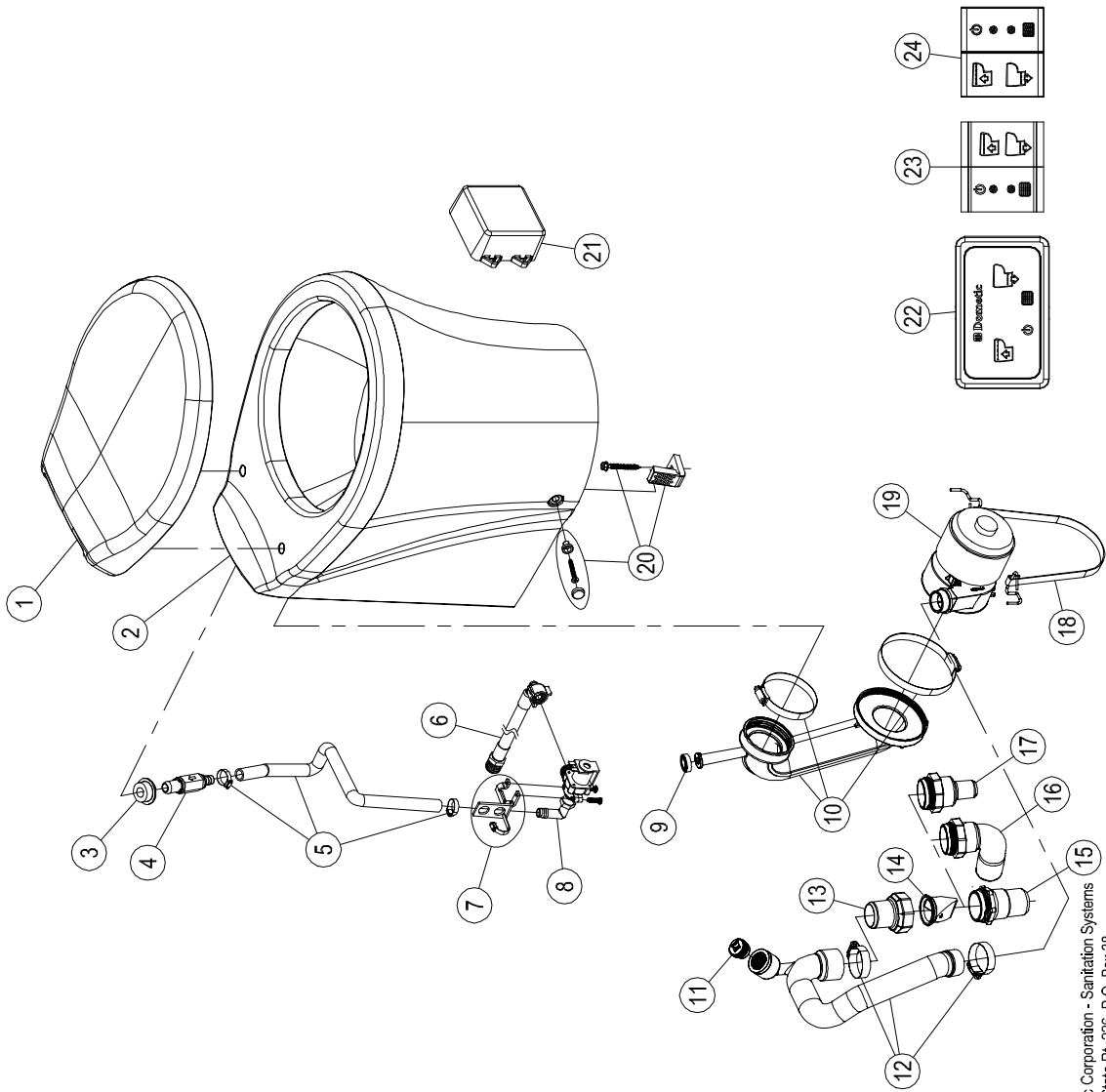
# PARTS LIST: 8600 SHORT SERIES



ITEM	PART NUMBER & DESCRIPTION	
1	385311618	SEAT/COVER SLOW CLOSE - WHITE
	385311383	SEAT/COVER - BONE
2	385311768	8600 SHORT SERIES BOWL KIT - WHITE
	385311769	8600 SHORT SERIES BOWL KIT - BONE
3	385311164	1/2" SEALING GROMMET
4	385880073	CHECKVALVE REPLACEMENT
5	385880074	WATER VALVE KIT - 12VDC
	385880075	WATER VALVE KIT - 24VDC **INCLUDES ITEM 3 & 4.
6	385311547	WATER SUPPLY HOSE REPLACEMENT
7	385311463	BOWL MOUNTING HARDWARE KIT
8	385880080	ANTISIPHON VALVE ASSEMBLY
9	385880065	DISCHARGE TUBE - SHORT SERIES **INCLUDES ITEM 8.
10	385311315	1-1/2" VALVE ADAPTER
11	385880071	1-1/2" VALVE ADAPTER ELBOW
12	385880072	1" VALVE ADAPTER
13	385311620	1-1/2" CHECK VALVE
14	385880070	DISCHARGE TUBE VALVE ADAPTER
15	385880067	BOWL OUTLET ELBOW
16	385880085	CONTROL MODULE 12/24VDC (DBL)
17	385880068	MOTOR/MACERATOR ASSY - 12VDC
	385880069	MOTOR/MACERATOR ASSY - 24VDC
18	385880083	MOTOR/MAC MOUNTING STRAP
19	313600111	FLUSH SWITCH - GEWISS GRAY
20	313600001	FLUSH SWITCH - VIMAR WHITE
	313600002	FLUSH SWITCH - VIMAR GRAY
21	313600021	DOMETIC TOUCHPAD FLUSH SWITCH - WHITE
	313600022	DOMETIC TOUCHPAD FLUSH SWITCH - BLACK
NOT SHOWN	385880082	DOMETIC TOUCHPAD FLUSH SWITCH CABLE
NOT SHOWN	385880081	VIMAR/GEWISS FLUSH SWITCH WIRE HARNESS

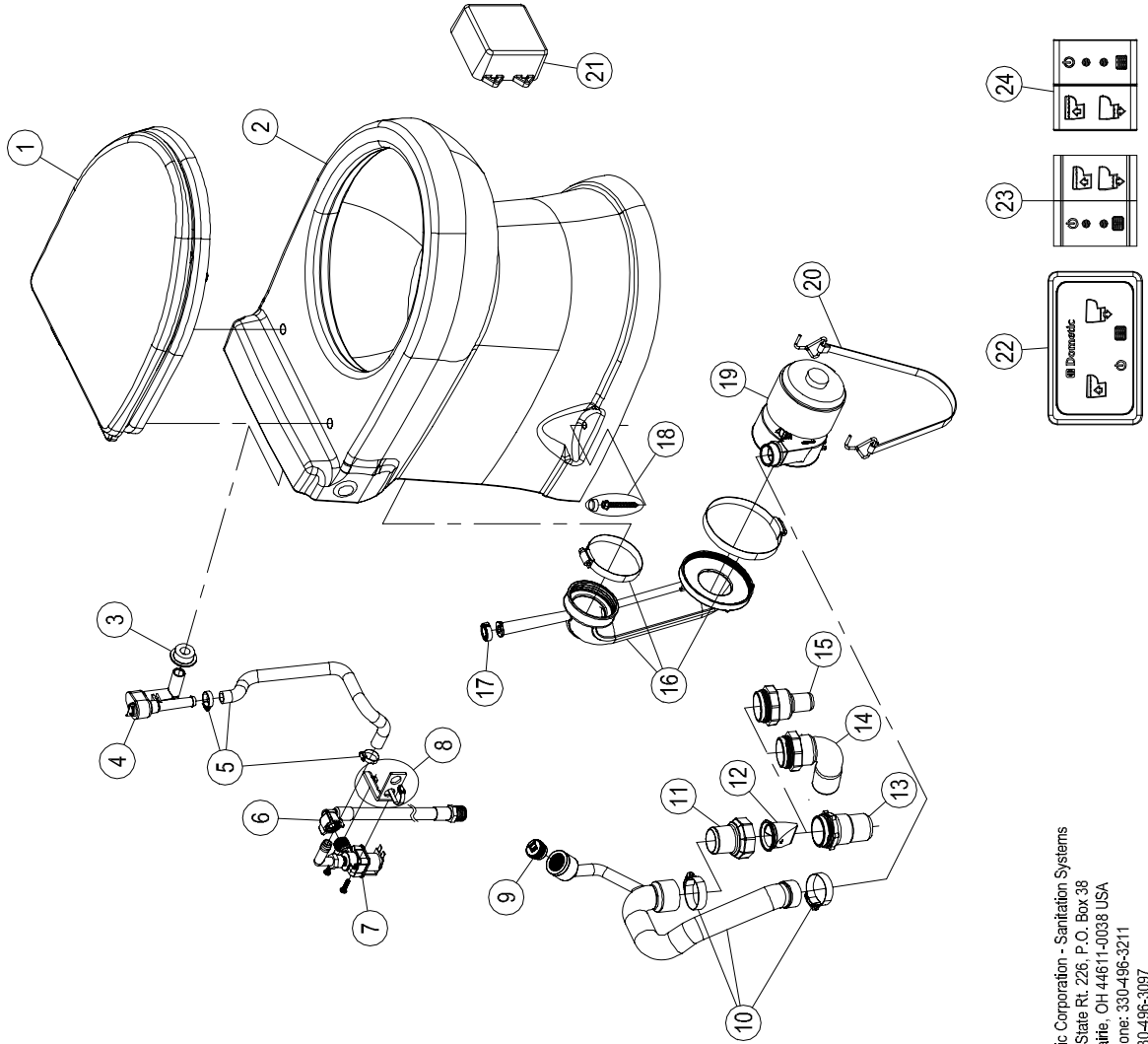
# PARTS LIST: 8600 TALL SERIES

ITEM	PART NUMBER & DESCRIPTION
1	385311618 SEAT/COVER SLOW CLOSE - WHITE 385311383 SEAT/COVER - BONE
2	385311758 8600 TALL SERIES BOWL KIT - WHITE 385311759 8600 TALL SERIES BOWL KIT - BONE
3	385311164 1/2" SEALING GROMMET
4	385311456 CHECKVALVE REPLACEMENT
5	385345277 BOWL WATER SUPPLY HOSE
6	385311547 WATER SUPPLY HOSE REPLACEMENT
7	385311705 WATER VALVE MOUNTING BRACKET KIT
8	385311545 WATER VALVE KIT - 12VDC 385311546 WATER VALVE KIT - 24VDC
9	385311707 BOWL OUTLET TUBE FLAPPER VALVE
10	385311761 BOWL OUTLET TUBE **INCLUDES ITEM 9.
11	385880080 ANTISIPHON VALVE ASSEMBLY
12	385311760 DISCHARGE TUBE - 8600 TALL SERIES **INCLUDES ITEM 11.
13	385311070 DISCHARGE TUBE VALVE ADAPTER
14	385311620 1-1/2" CHECK VALVE
15	385311315 1-1/2" VALVE ADAPTER
16	385880071 1-1/2" VALVE ADAPTER ELBOW
17	385880072 1" VALVE ADAPTER
18	385311762 MOTORMAC MOUNTING STRAP
19	385880068 MOTORMACERATOR ASSY - 12VDC 385880069 MOTORMACERATOR ASSY - 24VDC
20	385311463 BOWL MOUNTING HARDWARE KIT
21	385311875 CONTROL MODULE 12/24VDC (DBH)
22	313600021 DOMETIC TOUCHPAD FLUSH SWITCH - WHITE 313600022 DOMETIC TOUCHPAD FLUSH SWITCH - BLACK
23	313600001 FLUSH SWITCH - VIMAR WHITE 313600002 FLUSH SWITCH - VIMAR GRAY
24	313600111 FLUSH SWITCH - GEWISS GRAY
NOT SHOWN	385880082 DOMETIC TOUCHPAD FLUSH SWITCH CABLE
NOT SHOWN	385880081 VIMAR/GEWISS FLUSH SWITCH WIRE HARNESS



Domestic Corporation - Sanitation Systems  
13128 State Rt. 226, P.O. Box 38  
Big Prairie, OH 44611-0038 USA  
Telephone: 330-496-3211  
Fax: 330-496-3097  
Email: sealand@domesticusa.com

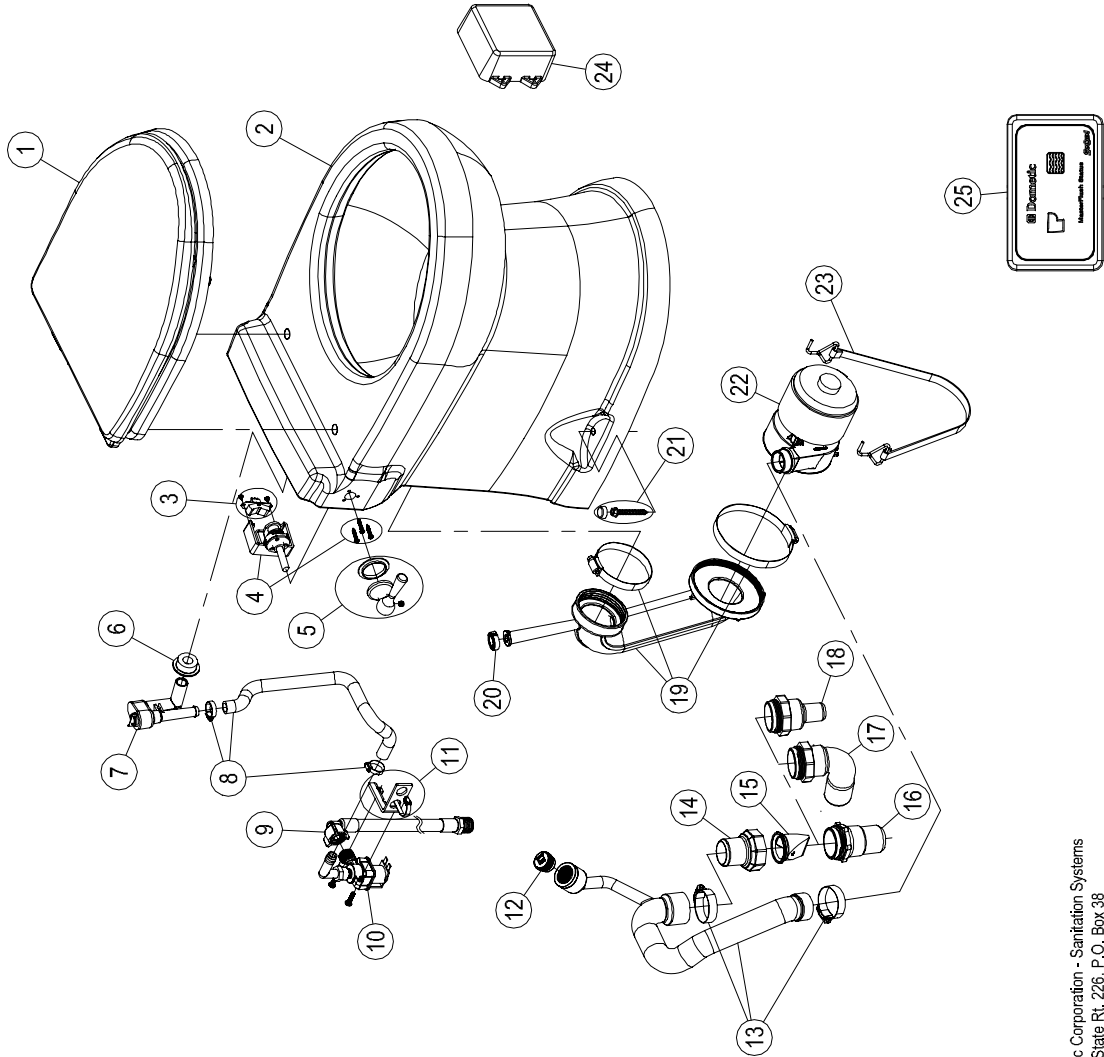
# PARTS LIST: 8700 TALL SERIES w/FLUSH SWITCH



ITEM	PART NUMBER & DESCRIPTION
1	385311005 SEAT/COVER WOOD - WHITE 385311006 SEAT/COVER WOOD - BONE 385311597 SEAT/COVER WOOD - EBONY
2	385311934 8700 SERIES BOWL KIT - WHITE 385311935 8700 SERIES BOWL KIT - BONE 385311936 8700 SERIES BOWL KIT - EBONY
3	385311164 1/2" SEALING GROMMET
4	385311906 VACUUM BREAKER KIT **INCLUDES ITEM 3.
5	385345377 BOWL WATER SUPPLY HOSE
6	385311547 WATER SUPPLY HOSE REPLACEMENT
7	385311545 WATER VALVE KIT - 12VDC 385311546 WATER VALVE KIT - 24VDC
8	385311705 WATER VALVE MOUNTING BRACKET KIT
9	385880080 ANTIPHON VALVE ASSEMBLY
10	385311706 DISCHARGE TUBE - 8700 SERIES **INCLUDES ITEM 9.
11	385880070 DISCHARGE TUBE VALVE ADAPTER
12	385311620 1-1/2" CHECK VALVE
13	385311315 1-1/2" VALVE ADAPTER
14	385880071 1-1/2" VALVE ADAPTER ELBOW
15	385880072 1" VALVE ADAPTER
16	385311708 BOWL OUTLET TUBE **INCLUDES ITEM 17.
17	385311707 BOWL OUTLET TUBE FLAPPER VALVE
18	385311022 BOWL MOUNTING HARDWARE
19	385880068 MOTOR/MACERATOR ASSY - 12VDC 385880069 MOTOR/MACERATOR ASSY - 24VDC
20	385311779 MOTOR/MAC MOUNTING STRAP
21	385311875 CONTROL MODULE 12/24VDC (DBH)
22	313600021 DOMETIC TOUCHPAD FLUSH SWITCH - WHITE 313600022 DOMETIC TOUCHPAD FLUSH SWITCH - BLACK
23	313600001 FLUSH SWITCH - VIMAR WHITE 313600002 FLUSH SWITCH - VIMAR GRAY
24	313600111 FLUSH SWITCH - GEWISS GRAY
NOT SHOWN	385880081 VIMAR/GEWISS FLUSH SWITCH WIRE HARNESS
NOT SHOWN	385880082 DOMETIC TOUCHPAD FLUSH SWITCH CABLE

# PARTS LIST: 8700 TALL SERIES w/FLUSH HANDLE

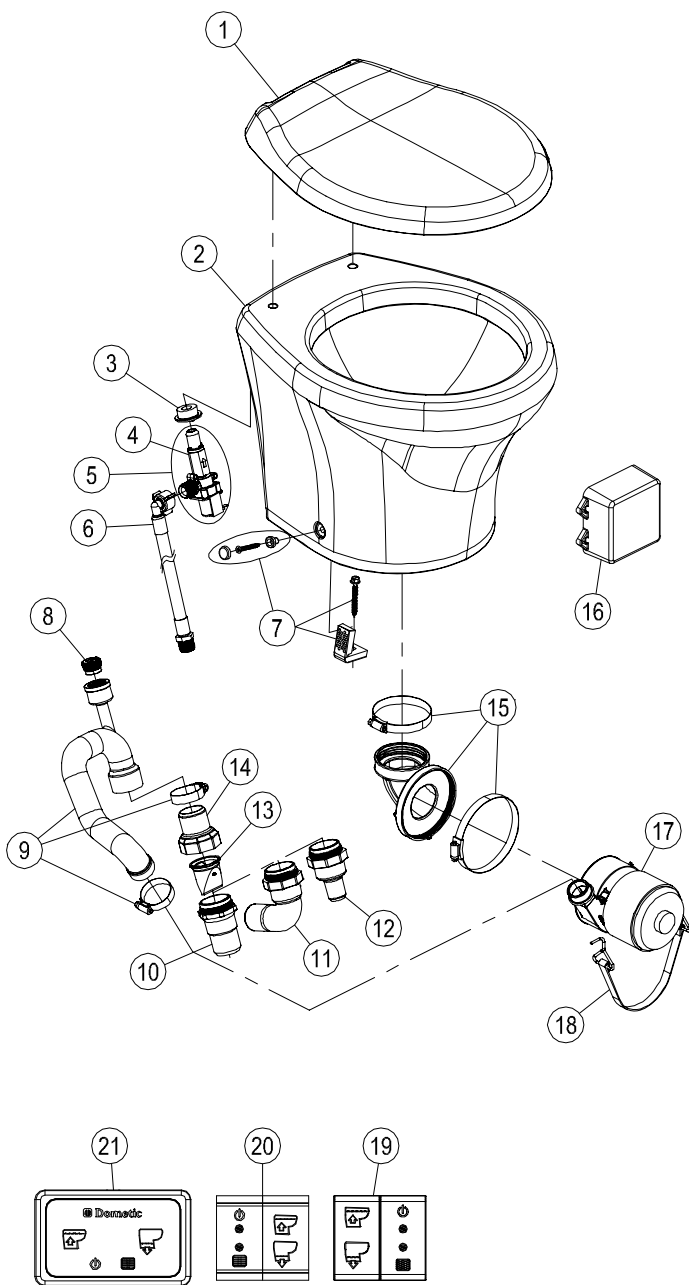
ITEM	PART NUMBER & DESCRIPTION
1	385311005 SEAT/COVER WOOD - WHITE 385311006 SEAT/COVER WOOD - BONE 385311597 SEAT/COVER WOOD - EBONY
2	385311934 8700 SERIES BOWL KIT - WHITE 385311935 8700 SERIES BOWL KIT - BONE 385311936 8700 SERIES BOWL KIT - EBONY
3	385311703 FLUSH HANDLE SWITCH w/WIRING HARNESS
4	385311704 FLUSH HANDLE ASSEMBLY **INCLUDES ITEM 3.
5	385310962 FLUSH HANDLE KIT - CHROME 385310963 FLUSH HANDLE KIT - GOLD 385311141 FLUSH HANDLE KIT - NICKLE
6	385311164 1/2" SEALING GROMMET
7	385311906 VACUUM BREAKER KIT **INCLUDES ITEM 6.
8	385345377 BOWL WATER SUPPLY HOSE
9	385311547 WATER SUPPLY HOSE REPLACEMENT
10	385311545 WATER VALVE KIT - 12VDC 385311546 WATER VALVE KIT - 24VDC
11	385311705 WATER VALVE MOUNTING BRACKET KIT
12	385880080 ANTISIPHON VALVE ASSEMBLY
13	385311706 DISCHARGE TUBE - 8700 SERIES **INCLUDES ITEM 12.
14	385880070 DISCHARGE TUBE VALVE ADAPTER
15	385311620 1-1/2" CHECK VALVE
16	385311315 1-1/2" VALVE ADAPTER
17	385880071 1-1/2" VALVE ADAPTER ELBOW
18	385880072 1" VALVE ADAPTER
19	385311708 BOWL OUTLET TUBE **INCLUDES ITEM 20.
20	385311707 BOWL OUTLET TUBE FLAPPER VALVE
21	385311022 BOWL MOUNTING HARDWARE
22	385880068 MOTORMACERATOR ASSY - 12VDC 385880069 MOTORMACERATOR ASSY - 24VDC
23	385311779 MOTORMAC MOUNTING STRAP
24	385311875 CONTROL MODULE 12/24VDC (DBH)
25	313722000 DOMETIC MASTERFLUSH STATUS PANEL-BLACK 313722001 DOMETIC MASTERFLUSH STATUS PANEL-WHITE
NOT SHOWN	385311781 FLUSH SWITCH WIRE HARNESS - 8700 SERIES



Dometic Corporation - Sanitation Systems  
13128 State Rt. 226, P.O. Box 38  
Big Prairie, OH 44611-0038 USA  
Telephone: 330-496-3211  
Fax: 330-496-3097  
Email: sealand@dometicusa.com

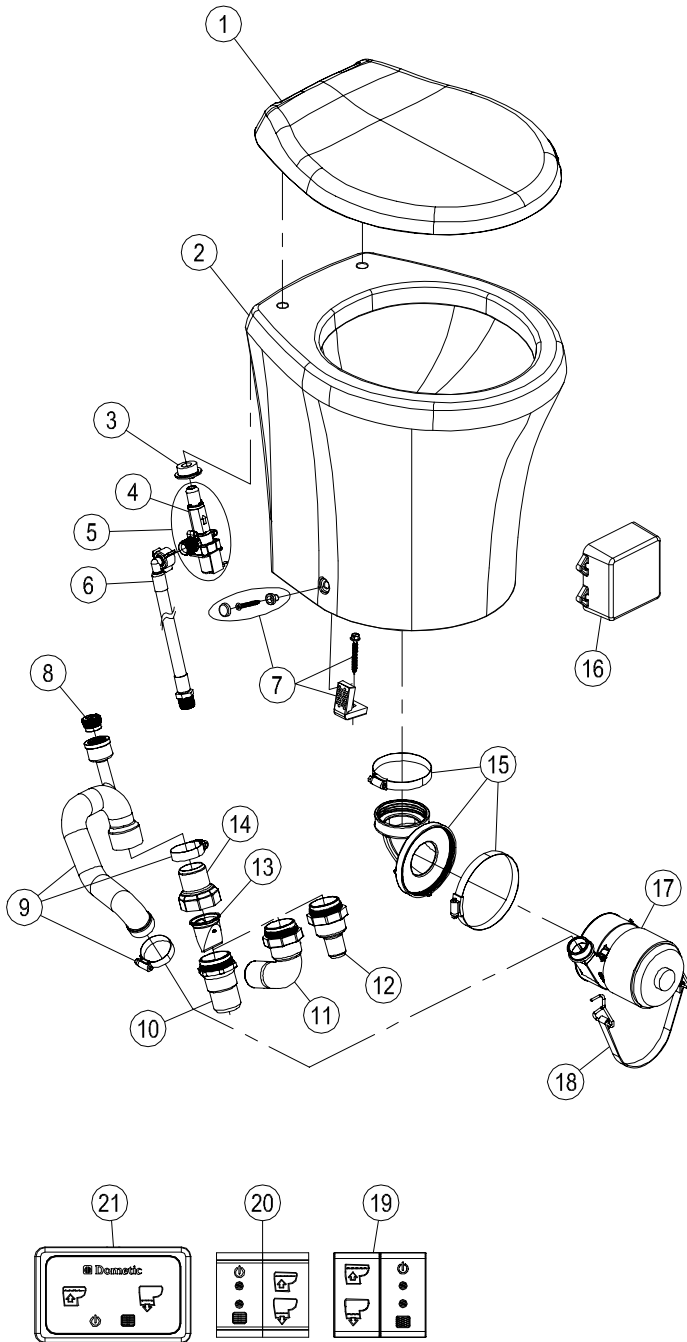
# PARTS LIST: 8900 SHORT SERIES

ITEM	PART NUMBER & DESCRIPTION	
1	385311618	SEAT/COVER SLOW CLOSE - WHITE
	385311383	SEAT/COVER - BONE
	385311694	SEAT/COVER WOOD - WHITE
	385311695	SEAT/COVER WOOD - BONE
2	385880076	8900 SHORT SERIES BOWL KIT - WHITE
	385880077	8900 SHORT SERIES BOWL KIT - BONE
3	385311164	1/2" SEALING GROMMET
4	385880073	CHECKVALVE REPLACEMENT
5	385880074	WATER VALVE KIT - 12VDC
	385880075	WATER VALVE KIT - 24VDC **INCLUDES ITEM 3 & 4.
6	385311547	WATER SUPPLY HOSE REPLACEMENT
7	385311463	BOWL MOUNTING HARDWARE KIT
8	385880080	ANTISIPHON VALVE ASSEMBLY
9	385880065	DISCHARGE TUBE - SHORT SERIES **INCLUDES ITEM 8.
10	385311315	1-1/2" VALVE ADAPTER
11	385880071	1-1/2" VALVE ADAPTER ELBOW
12	385880072	1" VALVE ADAPTER
13	385311620	1-1/2" CHECK VALVE
14	385880070	DISCHARGE TUBE VALVE ADAPTER
15	385880067	BOWL OUTLET ELBOW
16	385880085	CONTROL MODULE 12/24VDC (DBL)
17	385880068	MOTOR/MACERATOR ASSY - 12VDC
	385880069	MOTOR/MACERATOR ASSY - 24VDC
18	385880083	MOTOR/MAC MOUNTING STRAP
19	313600111	FLUSH SWITCH - GEWISS GRAY
20	313600001	FLUSH SWITCH - VIMAR WHITE
	313600002	FLUSH SWITCH - VIMAR GRAY
21	313600021	DOMETIC TOUCHPAD FLUSH SWITCH - WHITE
	313600022	DOMETIC TOUCHPAD FLUSH SWITCH - BLACK
NOT SHOWN	385880082	DOMETIC TOUCHPAD FLUSH SWITCH CABLE
NOT SHOWN	385880081	VIMAR/GEWISS FLUSH SWITCH WIRE HARNESS



Dometic Corporation - Sanitation Systems  
13128 State Rt. 226, P.O. Box 38  
Big Prairie, OH 44611-0038 USA  
Telephone: 330-496-3211  
Fax: 330-496-3097  
Email: sealand@dometicus.com

# PARTS LIST: 8900 TALL SERIES



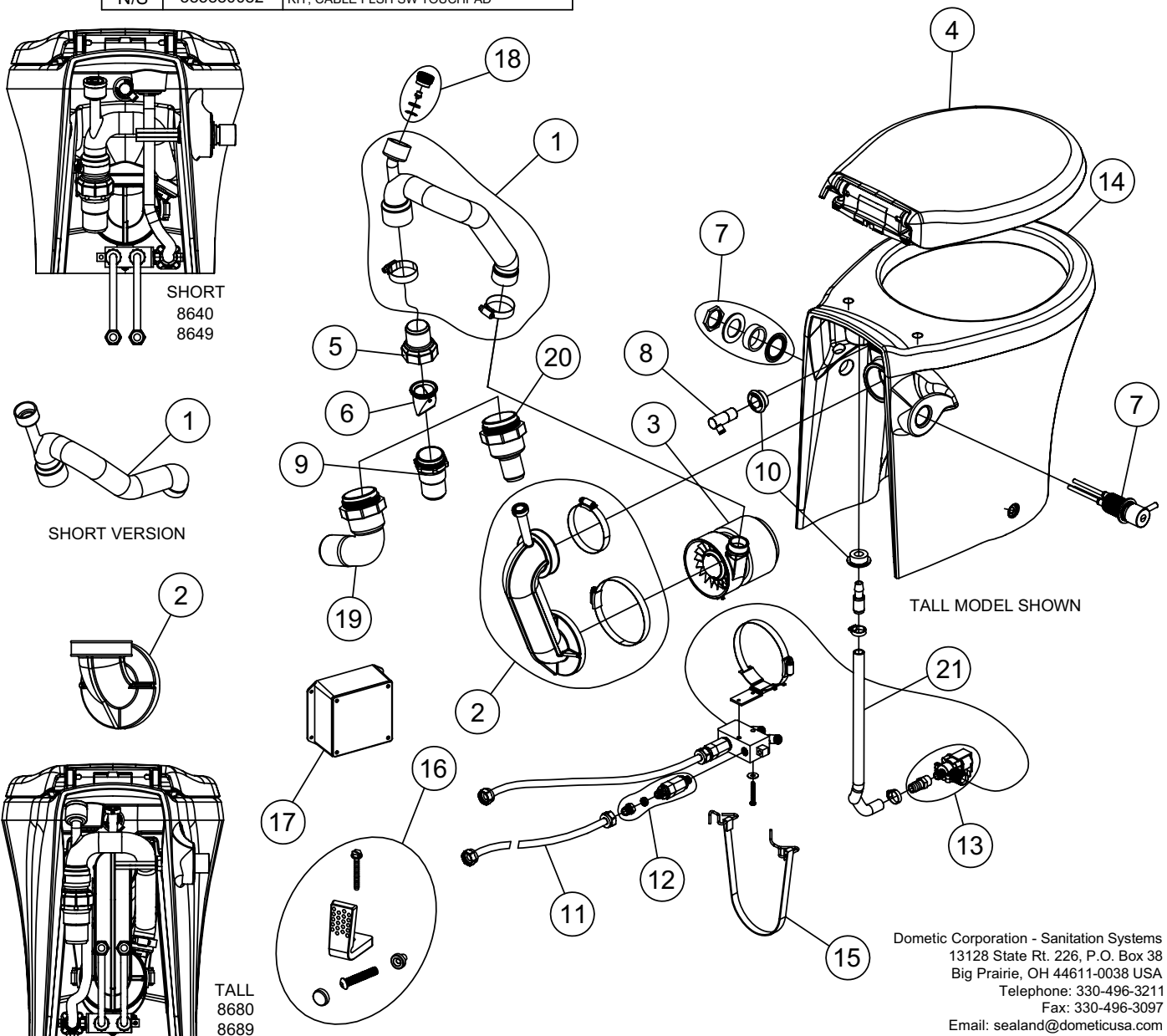
ITEM	PART NUMBER & DESCRIPTION	
1	385311618	SEAT/COVER SLOW CLOSE - WHITE
	385311383	SEAT/COVER - BONE
	385311694	SEAT/COVER WOOD - WHITE
	385311695	SEAT/COVER WOOD - BONE
2	385880078	8900 TALL SERIES BOWL KIT - WHITE
	385880079	8900 TALL SERIES BOWL KIT - BONE
3	385311164	1/2" SEALING GROMMET
4	385880073	CHECKVALVE REPLACEMENT
5	385880074	WATER VALVE KIT - 12VDC
	385880075	WATER VALVE KIT - 24VDC
	**INCLUDES ITEM 3 & 4.	
6	385311547	WATER SUPPLY HOSE REPLACEMENT
7	385311463	BOWL MOUNTING HARDWARE KIT
8	385880080	ANTISIPHON VALVE ASSEMBLY
9	385311778	DISCHARGE TUBE - TALL SERIES
		**INCLUDES ITEM 8.
10	385311315	1-1/2" VALVE ADAPTER
11	385880071	1-1/2" VALVE ADAPTER ELBOW
12	385880072	1" VALVE ADAPTER
13	385311620	1-1/2" CHECK VALVE
14	385880070	DISCHARGE TUBE VALVE ADAPTER
15	385880067	BOWL OUTLET ELBOW
16	385880085	CONTROL MODULE 12/24VDC (DBL)
17	385880068	MOTOR/MACERATOR ASSY - 12VDC
	385880069	MOTOR/MACERATOR ASSY - 24VDC
18	385880083	MOTOR/MAC MOUNTING STRAP
19	313600111	FLUSH SWITCH - GEWISS GRAY
20	313600001	FLUSH SWITCH - VIMAR WHITE
	313600002	FLUSH SWITCH - VIMAR GRAY
21	313600021	DOMETIC TOUCHPAD FLUSH SWITCH - WHITE
	313600022	DOMETIC TOUCHPAD FLUSH SWITCH - BLACK
NOT SHOWN	385880082	DOMETIC TOUCHPAD FLUSH SWITCH CABLE
NOT SHOWN	385880081	VIMAR/GEWISS FLUSH SWITCH WIRE HARNESS

Dometic Corporation - Sanitation Systems  
 13128 State Rt. 226, P.O. Box 38  
 Big Prairie, OH 44611-0038 USA  
 Telephone: 330-496-3211  
 Fax: 330-496-3097  
 Email: sealand@dometicus.com



# PARTS LIST: 8600 SERIES WITH BIDET

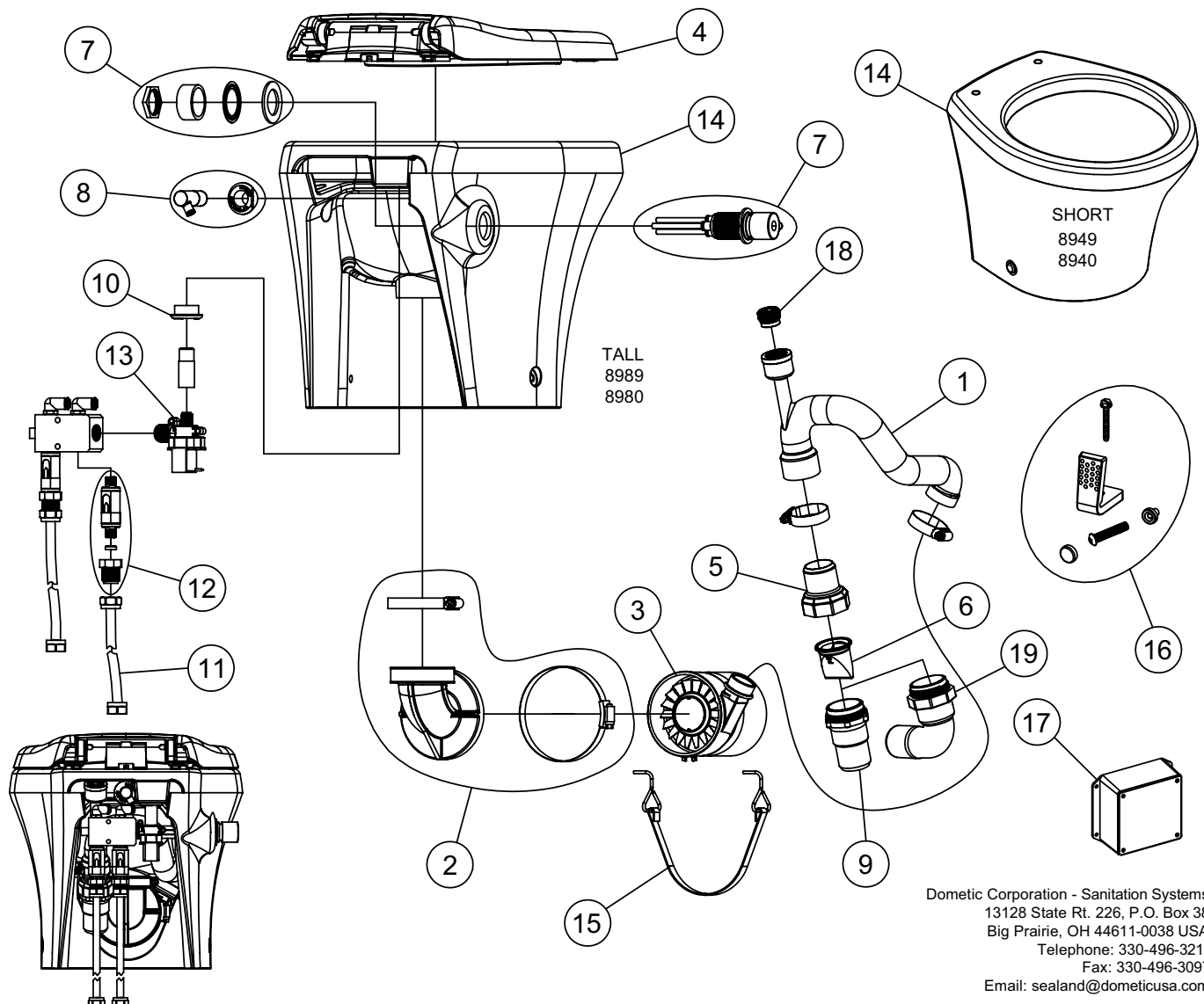
ITEM	PART NO.	DESCRIPTION	ITEM	PART NO.	DESCRIPTION
1	385880065	KIT, TUBE OUTLET SHORT M'FLUSH (INC 18)	12	385311727	KIT, BIDET CHECKVALVE
	385311760	KIT, PUMP OUTLET TUBE-8600 (INC 18)		13	385311851
2	385880067	KIT, BOWL OUTLET M'FLUSH (SHORT MODEL)	14		385311852
	385311761	KIT, BOWL OUTLET TUBE- (TALL MODEL)		385311853	KIT, BOWL SHORT 8640/8649-WHT
3	385880068	KIT, MOTOR ASSEMBLY 12VDC M'FLUSH	15	385880083	KIT, STRAP MOTOR M'FLUSH
	385880069	KIT, MOTOR ASSEMBLY 24VDC M'FLUSH		385311762	KIT, MOTOR SUPT STRAP-26"
4	385311618	KIT, SEAT/CVR SLOW-CLOSEWHT	16	385311463	KIT, 4800 CHINA MTG
5	385880070	KIT, ADAPTER M'FLUSH	17	385880085	KIT, CONTROL MOD-8600
6	385311620	KIT, DB VALVE 1-1/2"-BLACK (1)	18	385880080	KIT, ANTISIPHON VALVE M'FLUSH
7	385311721	KIT, BIDET FLUSH VALVE	19	385880071	KIT, 1-1/2" OUTLET EL-M'FLUSH
8	385311722	KIT, BIDET NOZEL	20	385880072	KIT, 1" OUTLET FITTING-M'FLUSH
9	385311315	KIT, NIPPLE-RH THREADS 1-1/2"	21	385345377	KIT, SUPPLY HOSE-WHITE
10	385311164	KIT, SEALING GROMMET 1/2"	N/S	385880081	KIT, HARNESS FLSH SW VIMAR - GEWISS
11	385311018	KIT, PLUG-IN SUPPLY HOSE			
N/S	385880082	KIT, CABLE FLSH SW TOUCHPAD			



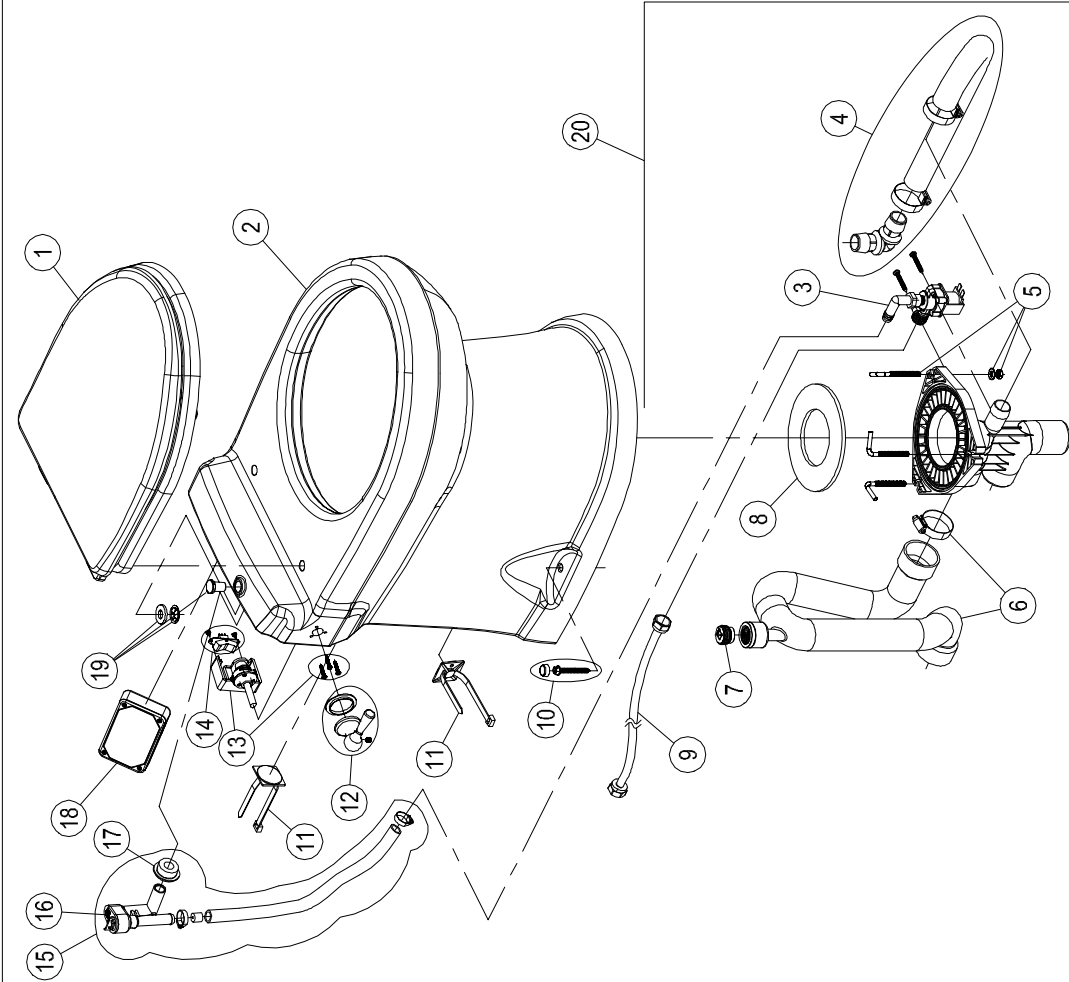
Dometic Corporation - Sanitation Systems  
13128 State Rt. 226, P.O. Box 38  
Big Prairie, OH 44611-0038 USA  
Telephone: 330-496-3211  
Fax: 330-496-3097  
Email: sealand@dometicusa.com

## PARTS LIST: 8900 SERIES WITH BIDET

ITEM	PART NO.	DESCRIPTION	ITEM	PART NO.	DESCRIPTION
1	385880065	KIT, TUBE OUTLET SHORT M'FLUSH	13	385880074	KIT, W'VALVE 12VDC M'FLUSH (INC. 10,12)
2	385880067	KIT, BOWL OUTLET M'FLUSH		385880075	KIT, W'VALVE 24VDC M'FLUSH (INC. 10,12)
3	385880068	KIT, MOTOR ASSEMBLY 12VDC M'FLUSH	14	385311723	KIT, BOWL 8900 SHORT COMBO WHITE
	385880069	KIT, MOTOR ASSEMBLY 24VDC M'FLUSH		385311724	KIT, BOWL 8900 SHORT COMBO BONE
4	385311618	KIT, SEAT/CVR SLOW-CLOSE/WHT		385311725	KIT, BOWL 8900 TALL COMBO WHITE
	385311694	KIT, SEAT-CV'R 4800 WOOD-WHITE		385311726	KIT, BOWL 8900 TALL COMBO BONE
5	385880070	KIT, ADAPTER M'FLUSH	15	385880083	KIT, STRAP MOTOR M'FLUSH
6	385311620	KIT, DB VALVE 1-1/2"-BLACK (1)	16	385311463	KIT, 4800 CHINA MTG
7	385311721	KIT, BIDET FLUSH VALVE	17	385880085	KIT, CONTROLE MODULE 8900 12/24VDC
8	385311722	KIT, BIDET NOZEL	18	385880080	KIT, ANTISIPHON VALVE M'FLUSH
9	385311315	KIT, NIPPLE-RH THREADS	19	385880071	KIT, 1-1/2" OUTLET EL-M'FLUSH
10	385311164	KIT, SEALING GROMMET 1/2"	N/S	385880081	KIT, HARNESS FLSH SW VIMAR - GEWISS
11	385311018	KIT, PLUG-IN SUPPLY HOSE	N/S	385880082	KIT, CABLE FLSH SW TOUCHPAD
12	385311727	KIT, BIDET CHECKVALVE			



# PARTS LIST: 9300 MODEL SERIES (ABOVE-FLOOR DISCHARGE OPTION)

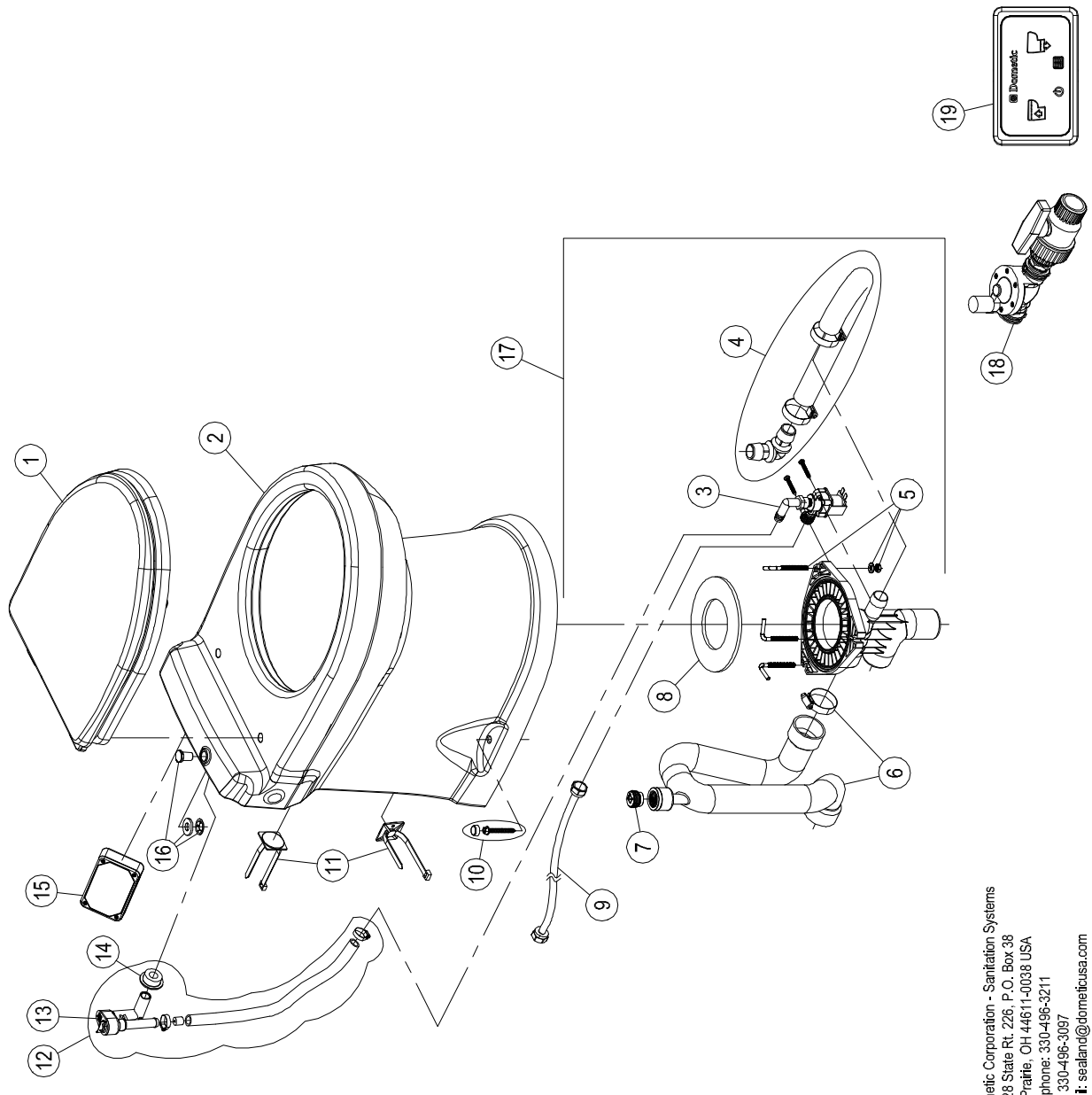


ITEM	PART NUMBER & DESCRIPTION
1	385311005 SEAT/COVER - WHITE 385311006 SEAT/COVER - BONE
2	385311730 9300 BOWL KIT - WHITE 385311731 9300 BOWL KIT - BONE **INCLUDES ITEM 5.
3	385311904 WATER VALVE KIT - 12VDC 385311905 WATER VALVE KIT - 24VDC
4	385311910 WATER JET INLET TUBE KIT
5	385311011 BASE TO BOWL MOUNTING HARDWARE
6	385311913 DISCHARGE TUBE-ABOVE FLOOR **INCLUDES ITEM 7.
7	385880080 ANTIPHON VALVE REPLACEMENT
8	385311914 BASE SEAL REPLACEMENT
9	385311018 WATER SUPPLY HOSE
10	385311022 BOWL MOUNTING HARDWARE
11	385311915 COMPONENT MOUNTING STRAP KIT **KIT QUANTITY IS ONE SET.
12	385310962 FLUSH HANDLE KIT - CHROME 385310963 FLUSH HANDLE KIT - GOLD 385311141 FLUSH HANDLE KIT - NICKLE
13	385311916 FLUSH HANDLE MECHANISM KIT **INCLUDES ITEM 14.
14	385311917 FLUSH HANDLE SWITCH w/WIRING
15	385311918 VACUUM BREAKER KIT (COMPLETE)
16	385316906 VACUUM BREAKER KIT **INCLUDES ITEM 17.
17	385311164 1/2" SEALING GROMMET
18	385311919 CONTROL MODULE 12/24VDC
19	385311750 HOLE PLUG - WHITE 385311751 HOLE PLUG - BONE
20	385311922 93/9400 ABOVE FLOOR BASE KIT - 12VDC 385311923 93/9400 ABOVE FLOOR BASE KIT - 24VDC **INCLUDES ITEM 3-9.
21	385311924 JET VALVE ASSEMBLY - 12VDC 385311925 JET VALVE ASSEMBLY - 24VDC
NOT SHOWN	385311926 1-1/2" SWING CHECK VALVE

Dometic Corporation - Sanitation Systems  
13128 State Rt. 226, P.O. Box 38  
Big Prairie, OH 44611-0038 USA  
Telephone: 330-496-3211  
Fax: 330-496-3097  
Email: sealand@dometicus.com

# PARTS LIST: 9400 MODEL SERIES (ABOVE-FLOOR DISCHARGE OPTION)

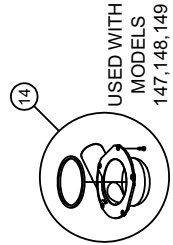
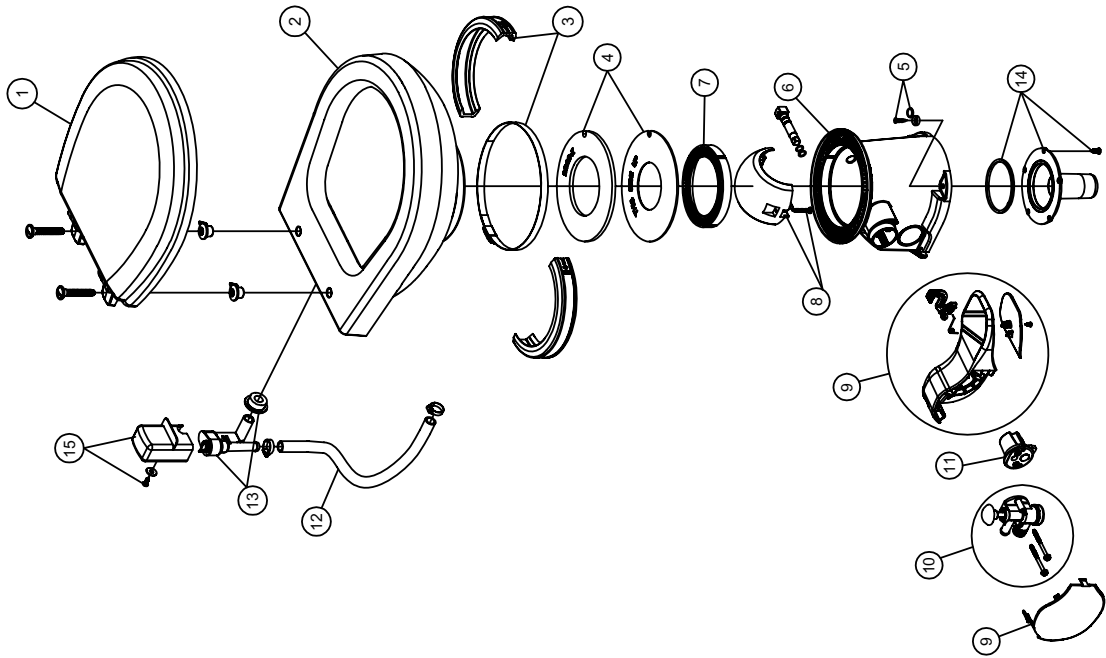
ITEM	PART NUMBER & DESCRIPTION
1	385311005 SEAT/COVER - WHITE 385311006 SEAT/COVER - BONE
2	385311730 9400 BOWL KIT - WHITE 385311731 9400 BOWL KIT - BONE **INCLUDES ITEM 5.
3	385311904 WATER VALVE KIT - 12VDC 385311905 WATER VALVE KIT - 24VDC
4	385311910 WATER JET INLET TUBE KIT
5	385311011 BASE TO BOWL MOUNTING HARDWARE
6	385311913 DISCHARGE TUBE-ABOVE FLOOR **INCLUDES ITEM 7.
7	385880080 ANTISIPHON VALVE REPLACEMENT
8	385311914 BASE SEAL REPLACEMENT
9	385311018 WATER SUPPLY HOSE
10	385311022 BOWL MOUNTING HARDWARE
11	385311915 COMPONENT MOUNTING STRAP KIT **KIT QUANTITY IS ONE SET.
12	385311918 VACUUM BREAKER KIT (COMPLETE)
13	385316906 VACUUM BREAKER KIT **INCLUDES ITEM 14.
14	385311164 1/2" SEALING GROMMET
15	385311919 CONTROL MODULE 12/24VDC
16	385311750 HOLE PLUG - WHITE 385311751 HOLE PLUG - BONE
17	385311922 93/9400 ABOVE FLOOR BASE KIT - 12VDC 385311923 93/9400 ABOVE FLOOR BASE KIT - 24VDC **INCLUDES ITEM 3-9.
18	385311924 JET VALVE ASSEMBLY - 12VDC 385311925 JET VALVE ASSEMBLY - 24VDC
19	313600021 DOMETIC TOUCHPAD FLUSH SWITCH - WHITE 313600022 DOMETIC TOUCHPAD FLUSH SWITCH - BLACK
NOT SHOWN	385311926 1-1/2" SWING CHECK VALVE



Domestic Corporation - Sanitation Systems  
13128 State Rt. 226, P.O. Box 38  
Big Prairie, OH 44611-0038 USA  
Telephone: 330-496-3211  
Fax: 330-496-3097  
Email: sealand@dometicusa.com

# PARTS LIST: ECOVAC 146 -147-148 -149

ITEM	PART NUMBER				DESCRIPTION
	146	147	148	149	
1		385344436			SEAT ASSEMBLY, WHITE
		385344437			SEAT ASSEMBLY, BONE
2		385310676			CHINA BOWL KIT, WHITE
		385310781			CHINA BOWL KIT, BONE
3		385310025			BAND AND HALF CLAMP, KIT WHITE
		385310048			BAND AND HALF CLAMP, KIT BONE
4		385311462			KIT, SEAL KIT-VACUFLUSH
		385310679			MOUNTING HARDWARE - WHITE
		385310785			MOUNTING HARDWARE - BONE
6	385311711	385310685	385310686	385310975	BASE KIT, WHITE (INC. 3-11 & 14)
	385311712	385310783	385310784	385310976	BASE KIT, BONE (INC. 3-11 & 14)
7		385311292			KIT, BASE RING INSERT
8		385310954			KIT, BALL/BRASS SHAFT/P CART.(INC. 11)
9		385310682			PEDAL KIT, WHITE (INC. 11)
		385310762			PEDAL KIT, BONE (INC. 11)
10		385314349			WATER VALVE, KIT
11		385310683			SPRING CARTRIDGE, KIT
12		385340177			HOSE, SUPPLY - BONE
		385345377			HOSE, SUPPLY - WHITE
13		385310687			VACUUM BREAKER, KIT
14	385311713	385310680	385310680	385310936	DISCHARGE KIT
		385310696			VACUUM BREAKER COVER WHITE
15		385310782			VACUUM BREAKER COVER BONE



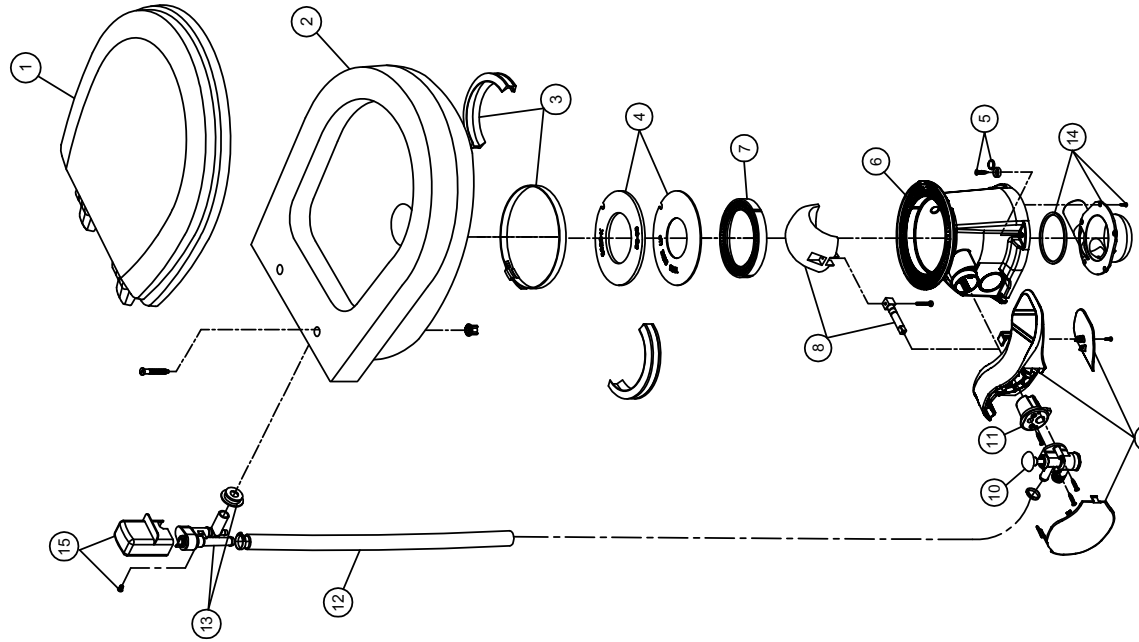
USED WITH  
MODEL 146 ONLY

TOILET MODEL	DISCHARGE LOCATION
146	THROUGH THE FLOOR
147	OPPOSITE PEDAL
148	REAR OF TOILET
149	UNDER PEDAL

**Dometic**  
Dometic Corporation - Sanitation Systems  
13128 State Rt. 226, P.O. Box 38  
Big Prairie, OH 44611-0038 USA  
Telephone: 330-496-3211  
Fax: 330-496-3097  
Email: sealand@dometicusa.com

# PARTS LIST: ECOVAC 157-158-159

ITEM	PART NUMBER			DESCRIPTION
	157	158	159	
1		385344436		SEAT ASSEMBLY, WHITE
		385344437		SEAT ASSEMBLY, BONE
2		385310676		CHINA BOWL KIT, WHITE
		385310781		CHINA BOWL KIT, BONE
3		385310025		BAND AND HALF CLAMP, KIT WHITE
		385310048		BAND AND HALF CLAMP, KIT BONE
4		385316140		SEAL REPLACEMENT, KIT
		385310679		MOUNTING HARDWARE - WHITE
		385310785		MOUNTING HARDWARE - BONE
6	385311446	385311451	385311453	BASE KIT, .WHITE (INC. 3-11 & 14)
	385311447	385311452	385311454	BASE KIT, BONE (INC. 3-11 & 14)
7		385311292		BASE RING
8		385310954		KIT, BALL/BRASS SHAFT/TIP CART (INC. 11)
9		385311448		PEDAL KIT, WHITE (INC. 11)
		385311449		PEDAL KIT, BONE (INC. 11)
10		385314349		WATER VALVE, KIT
11		385310683		SPRING CARTRIDGE, KIT
12		385340177		HOSE, SUPPLY - BONE.
		385345377		HOSE, SUPPLY - WHITE
13		385310687		VACUUM BREAKER, KIT
14	385310680	385310680	385310936	DISCHARGE KIT
		385310696		VACUUM BREAKER COVER WHITE
15		385310782		VACUUM BREAKER COVER BONE

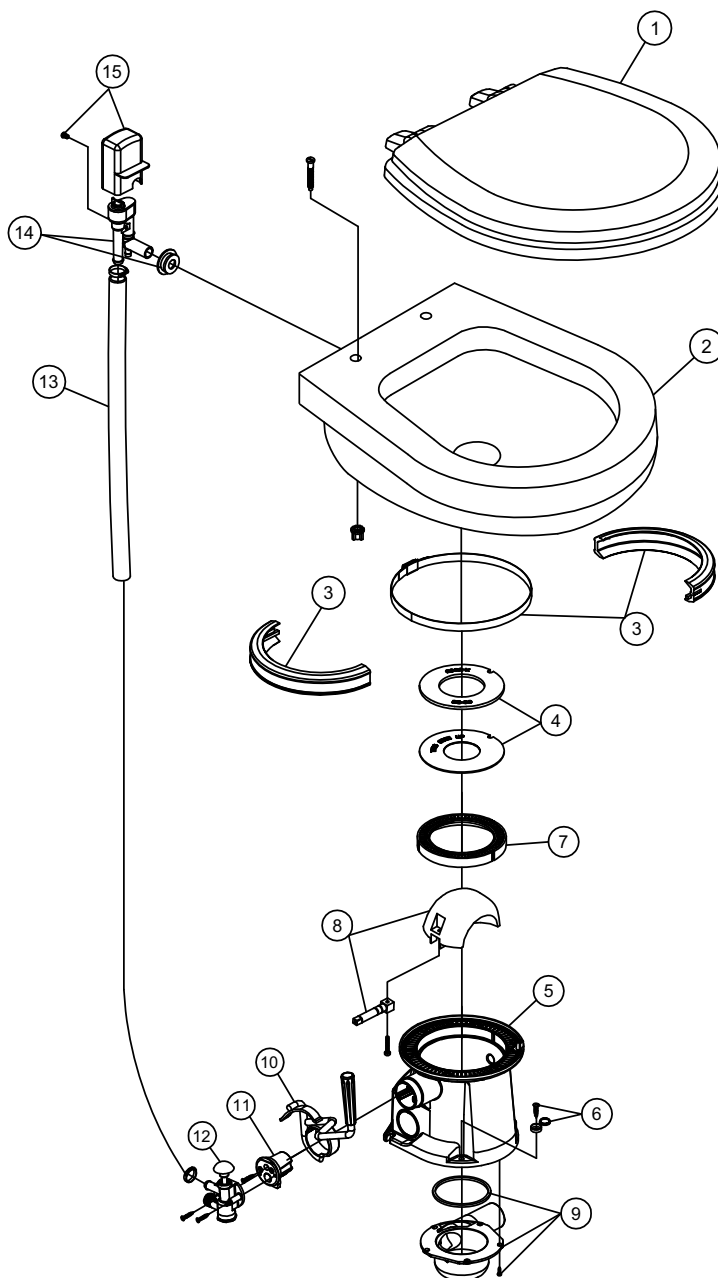


TOILET MODEL	DISCHARGE LOCATION
157	OPPOSITE PEDAL
158	REAR OF TOILET
159	UNDER PEDAL

**Dometic**  
 Dometic Corporation - Sanitation Systems  
 13128 State Rt. 226, P.O. Box 38  
 Big Prairie, OH 44611-0038 USA  
 Telephone: 330-496-3211  
 Fax: 330-496-3097  
 Email: sealand@dometicusa.com

## PARTS LIST: VACUFLUSH 168

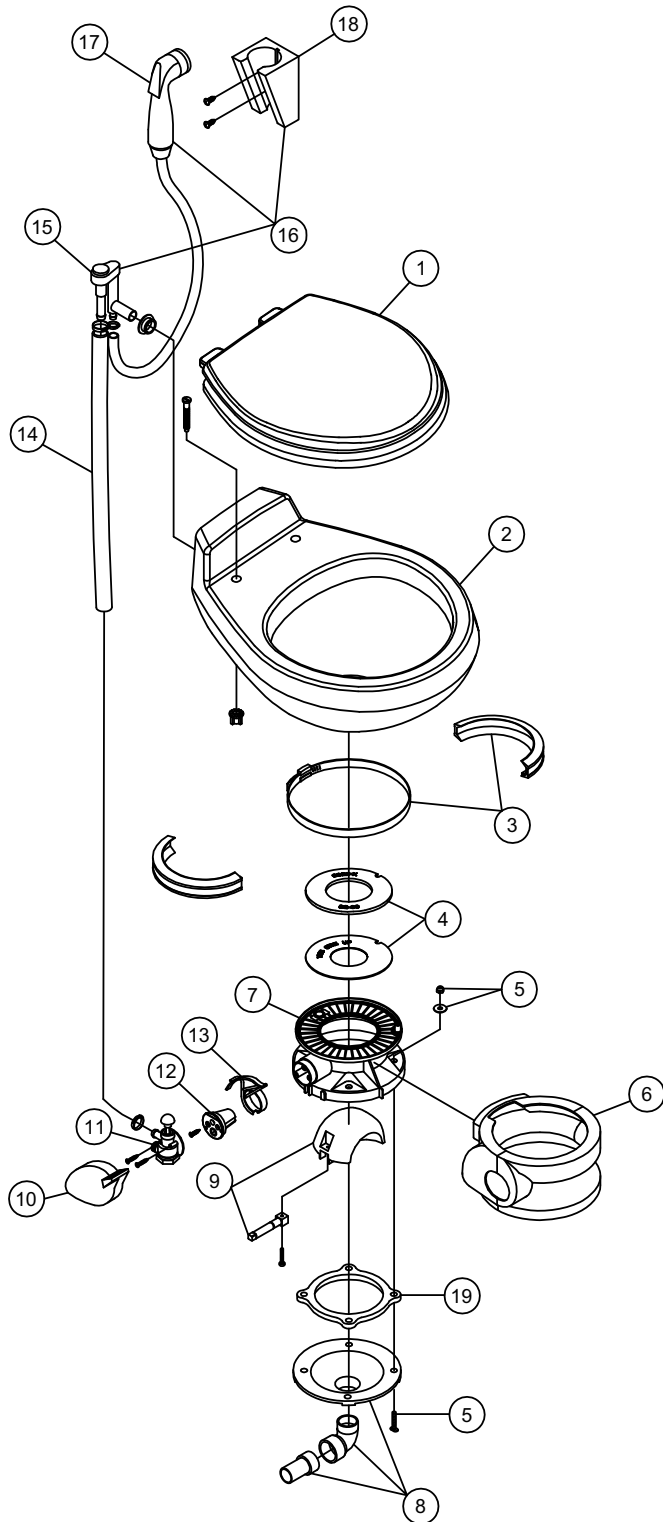
ITEM	PART NO.	DESCRIPTION	ITEM	PART NO.	DESCRIPTION
1	385344436	SEAT & LID ASSEMBLY, WHITE	9	385310680	KIT, DISCHARGE
2	385310676	CHINA BOWL, WHITE	10	385311204	HAND FLUSH KIT- (inc.item 11)
3	385310025	HALF CLAMP KIT, WHITE	11	385236096	SPRING CARTRIDGE KIT
4	385311462	RUBBER SEAL KIT	12	385314349	WATER VALVE KIT
5	385311158	BASE KIT, WHITE (inc. items 3 -12)	13	385345377	SUPPLY HOSE, WHITE
6	385310679	MOUNTING KIT	14	385310687	VACUUM BREAKER KIT
7	385311292	RING, BASE INSERT	15	385310696	VACUUM BREAKER COVER
8	385318162	BALL/SHAFT/CARTRIDGE KIT (inc. item 11)			



**Dometic** *Sealand*

Dometic Corporation - Sanitation Systems  
13128 State Rt. 226, P.O. Box 38  
Big Prairie, OH 44611-0038 USA  
Telephone: 330-496-3211  
Fax: 330-496-3097  
Email: sealand@dometicusa.com

# PARTS LIST: 506+

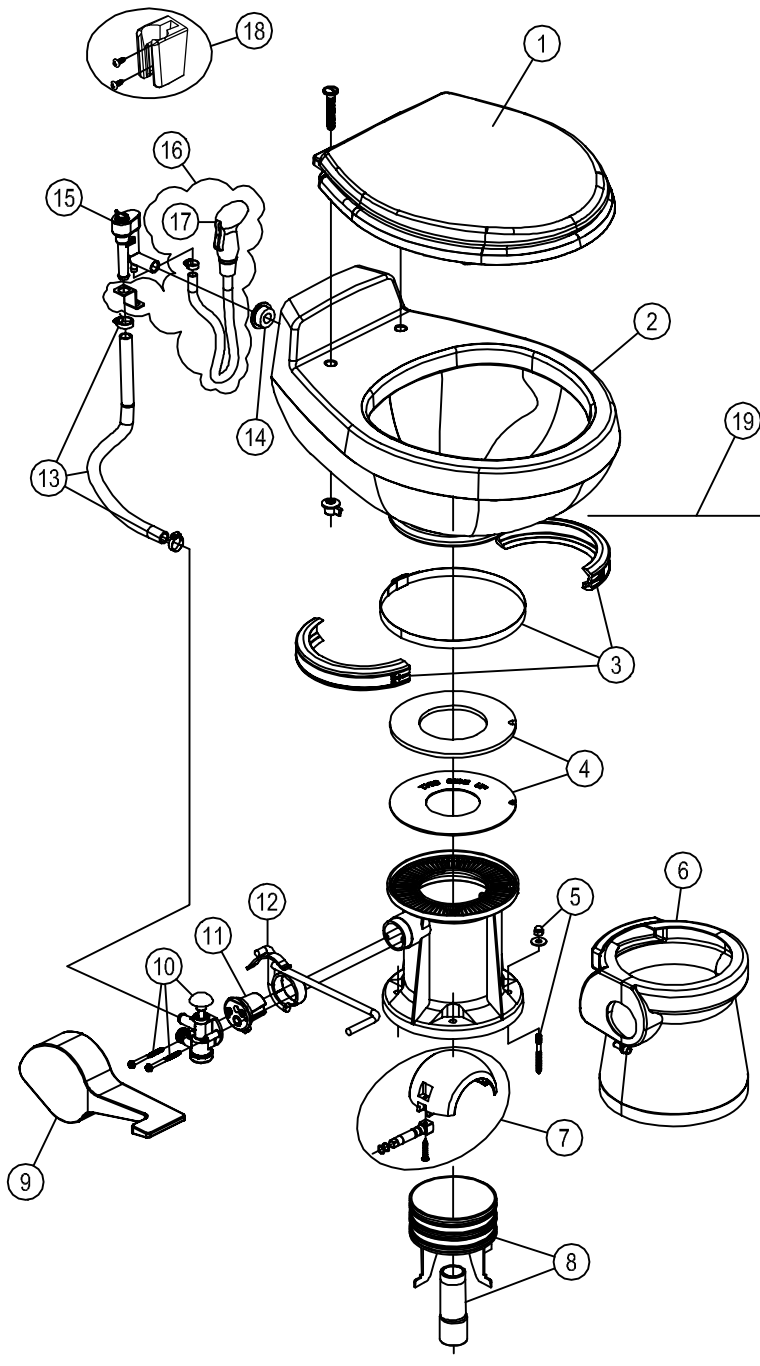


ITEM	PART NO.	DESCRIPTION
1	385343829	KIT, SEAT-CV'R 500+ - WHITE
	385343831	KIT, SEAT-CV'R 500+ - BONE
	385343897	KIT, SEAT-CV'R 500+ - PLAT
	385343901	KIT, SEAT-CV'R 500+ - EBONY
2	385310739	CHINA BOWL KIT, WHITE
	385310740	CHINA BOWL KIT, BONE
	385310741	CHINA BOWL KIT, PLATINUM
	385310742	CHINA BOWL KIT, EBONY
3	385310048	BAND AND HALF CLAMP, KIT
4	385311462	SEAL REPLACEMENT , KIT
5	385310064	MOUNTING HARDWARE
6	385310108	PEDESTAL COVER KIT , WHITE
	385310109	PEDESTAL COVER KIT , BONE
	385310110	PEDESTAL COVER KIT , PLATINUM
	385310600	PEDESTAL COVER KIT , EBONY
7	385310132	BASE KIT, WHITE (inc items 3-13 & 19)
	385310133	BASE KIT, BONE (inc items 3-13 & 19)
	385310134	BASE KIT, PLATINUM (inc items 3-13 & 19)
	385310607	BASE KIT, EBONY (inc items 3-13 & 19)
8	385318864	FUNNEL, KIT (inc. item 5 & 19)
9	385318162	KIT,BALL,SHAFT & CART, WHITE(inc. item 12)
	385310177	KIT,BALL,SHAFT & CART, EBONY(inc. item 12)
10	385310117	PEDAL COVER, WHITE
	385310118	PEDAL COVER, BONE
	385310119	PEDAL COVER, PLATINUM
	385310593	PEDAL COVER, EBONY
11	385314349	WATER VALVE, KIT
12	385236096	SPRING CARTRIDGE, KIT
13	385310579	PEDAL, CARTRIDGE, KIT (inc. item 12)
14	385340177	HOSE, SUPPLY - BONE, EBONY, PLAT
	385345377	HOSE, SUPPLY - WHITE
15	385316906	VACUUM BREAKER, KIT - WITHOUT SPRAY
	385230335	VACUUM BREAKER, KIT - WITH SPRAY
16	385319056	VACUUM BREAKER,SPR & BRK,KIT CHROME
	385319057	VACUUM BREAKER,SPR & BRK,KIT EBONY
17	385310873	HAND SPRAY, EBONY
	385310809	HAND SPRAY, CHROME
18	385311125	BRACKET, HAND SPRAY EBONY
	385311131	BRACKET, HAND SPRAY CHROME
19	385310063	FLOOR FLANGE, KIT (inc. item 5)

Dometic Corporation - Sanitation Systems  
13128 State Rt. 226, P.O. Box 38  
Big Prairie, OH 44611-0038 USA  
Telephone: 330-496-3211  
Fax: 330-496-3097  
Email: sealand@domecusa.com



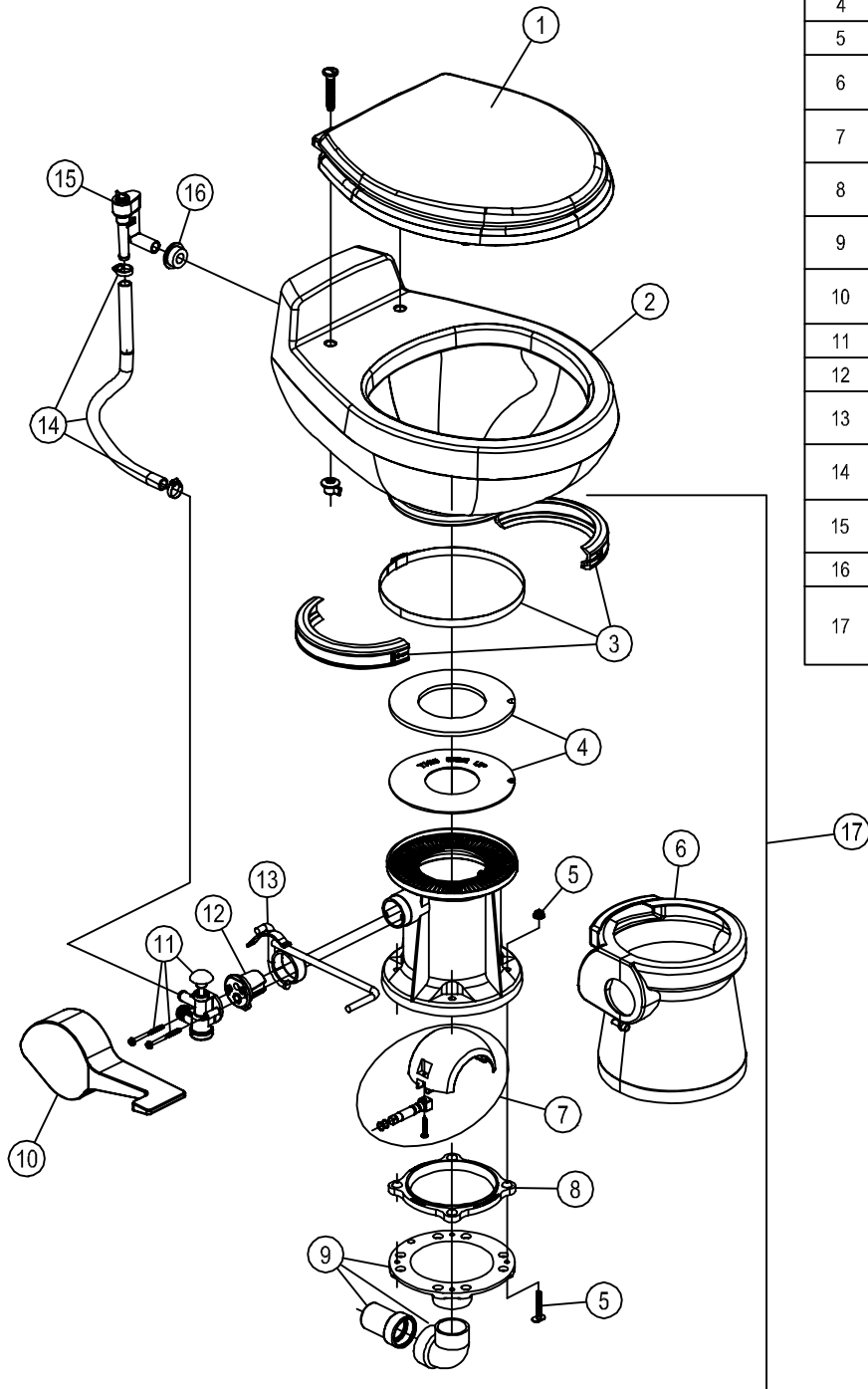
# PARTS LIST: VACUFLUSH 508+ SERIES



ITEM	PART NUMBER & DESCRIPTION	
1	385343829	SEAT/COVER - WHITE
	385343831	SEAT/COVER - BONE
	385343897	SEAT/COVER - PLATINUM
	385343901	SEAT/COVER - EBONY
2	385310739	CHINA BOWL KIT - WHITE
	385310740	CHINA BOWL KIT - BONE
	385310741	CHINA BOWL KIT - PLATINUM
	385310742	CHINA BOWL KIT - EBONY
3	385310048	BOWL/BASE CLAMP KIT
4	385311462	FLUSH BALL SEAL REPL KIT
5	385316323	MOUNTING HARDWARE
6	385310111	PEDESTAL COVER - WHITE
	385310112	PEDESTAL COVER - BONE
	385310113	PEDESTAL COVER - PLATINUM
	385310173	PEDESTAL COVER - EBONY
7	385318162	FLUSH BALL, SHAFT, CARTRIDGE KIT-WHITE
	385310177	FLUSH BALL, SHAFT, CARTRIDGE KIT-EBONY **INCLUDES ITEM 11.
8	385318741	'08 DISCHARGE FUNNEL KIT
9	385310114	PEDAL COVER - WHITE
	385310115	PEDAL COVER - BONE
	385310116	PEDAL COVER - PLATINUM
	385310175	PEDAL COVER - EBONY
10	385314349	WATER VALVE KIT
11	385236096	SPRING CARTRIDGE KIT
12	385310578	PEDAL/LEVER & CARTRIDGE KIT
		**INCLUDES ITEM 11.
13	385345377	BOWL WATER SUPPLY HOSE - WHITE
	385340177	BOWL WATER SUPPLY HOSE - BONE
14	385311164	1/2" SEALING GROMMET
15	385316906	VACUUM BREAKER KIT
	385230335	VACUUM BREAKER KIT w/HAND SPRAY **INCLUDES ITEM 14.
16*	385319056	HAND SPRAY KIT w/VAC BREAKER-WHT
	385319057	HAND SPRAY KIT w/VAC BREAKER-EBY **INCLUDES ITEM 14, 15, 17
17*	385310809	HAND SPRAYER - CHROME
	385310873	HAND SPRAYER - EBONY **INCLUDES ITEM 18.
18*	385311131	HAND SPRAY BRACKET w/SCREWS - CHROME
	385311125	HAND SPRAY BRACKET w/SCREWS - EBONY
19	385310126	'08 BASE KIT METAL LEVER - WHITE
	385310127	'08 BASE KIT METAL LEVER - BONE
	385310128	'08 BASE KIT METAL LEVER - PLATINUM
	385310171	'08 BASE KIT METAL LEVER - EBONY **INCLUDES ITEMS 3-12

\* ITEMS 16, 17, & 18 ARE OPTIONAL ACCESSORIES;  
NOT PROVIDED WITH EVERY MODEL.

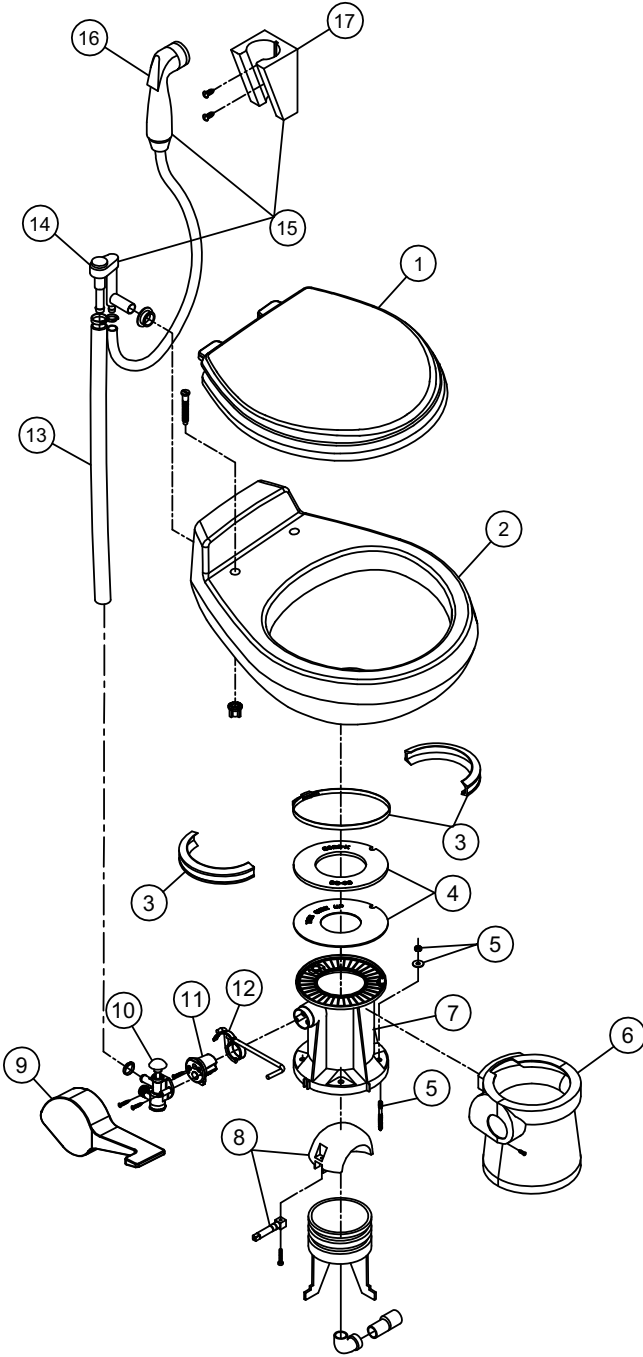
# PARTS LIST: VACUFLUSH 509+ SERIES



ITEM	PART NUMBER & DESCRIPTION
1	385343829 SEAT/COVER - WHITE 385343831 SEAT/COVER - BONE
2	385310739 CHINA BOWL KIT - WHITE 385310740 CHINA BOWL KIT - BONE
3	385310048 BOWL/BASE CLAMP KIT
4	385311462 FLUSH BALL SEAL REPL KIT
5	385310064 MOUNTING HARDWARE
6	385310111 PEDESTAL COVER - WHITE 385310112 PEDESTAL COVER - BONE
7	385318162 FLUSH BALL, SHAFT, CARTRIDGE KIT **INCLUDES ITEM 12
8	385310063 FLOOR FLANGE SEAL **INCLUDES ITEM 5
9	385318864 FUNNEL KIT ('06/'09 MODELS) **INCLUDES ITEM 5 & 8
10	385310114 PEDAL COVER - WHITE 385310115 PEDAL COVER - BONE
11	385314349 WATER VALVE KIT
12	385236096 SPRING CARTRIDGE KIT
13	385310578 PEDAL/LEVER & CARTRIDGE KIT **INCLUDES ITEM 12
14	385345377 BOWL WATER SUPPLY HOSE - WHITE 385340177 BOWL WATER SUPPLY HOSE - BONE
15	385316906 VACUUM BREAKER KIT **INCLUDES ITEM 16
16	385311164 1/2" SEALING GROMMET
17	385311772 '09 BASE KIT METAL LEVER - WHITE 385311892 '09 BASE KIT METAL LEVER - BONE **INCLUDES ITEMS 3-13

Dometic Corporation - Sanitation Systems  
13128 State Rt. 226, P.O. Box 38  
Big Prairie, OH 44611-0038 USA  
Telephone: 330-496-3211  
Fax: 330-496-3097  
Email: sealand@dometicus.com

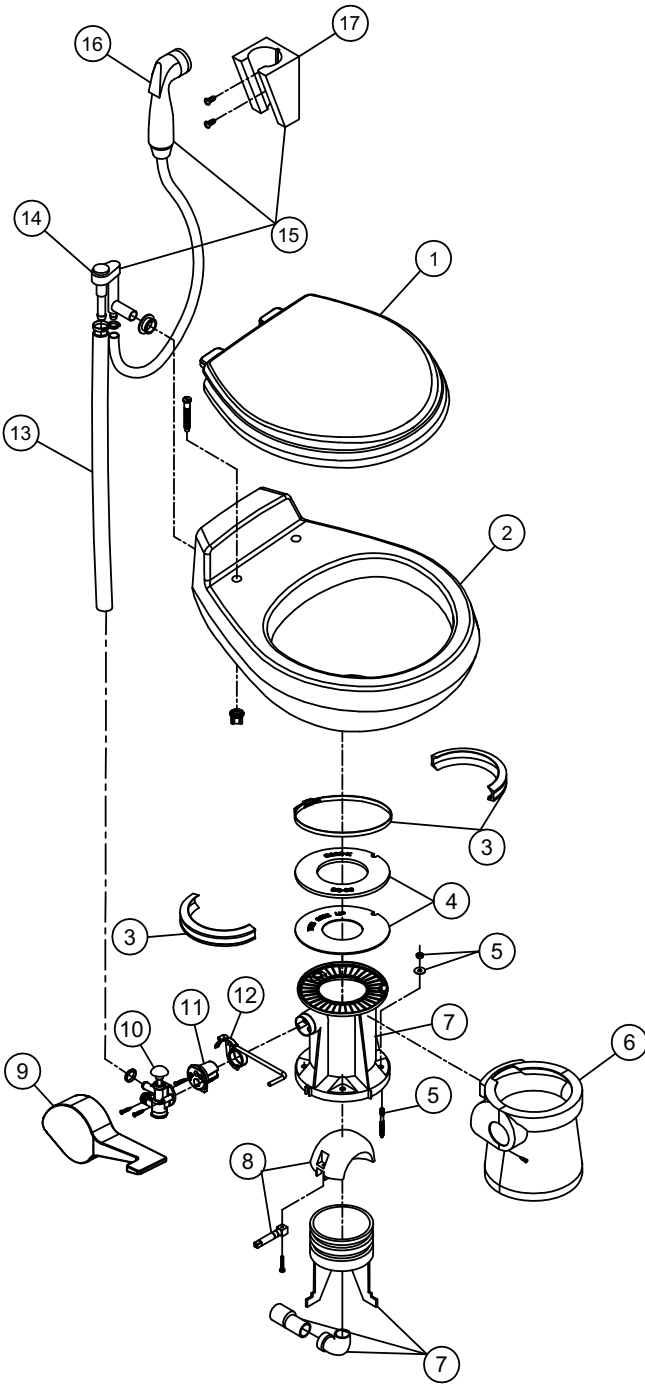
PARTS LIST: 547+



ITEM	PART NO.	DESCRIPTION
1	385343829	KIT, SEAT-CV'R 500+ - WHITE
	385343831	KIT, SEAT-CV'R 500+ - BONE
	385343897	KIT, SEAT-CV'R 500+ - PLAT
	385343901	KIT, SEAT-CV'R 500+ - EBONY
2	385310739	CHINA BOWL KIT, WHITE
	385310740	CHINA BOWL KIT, BONE
	385310741	CHINA BOWL KIT, PLATINUM
	385310742	CHINA BOWL KIT, EBONY
3	385310048	BAND AND HALF CLAMP, KIT
4	385311462	SEAL REPLACEMENT , KIT
5	385316323	MOUNTING HARDWARE
6	385310674	PEDESTAL COVER KIT , WHITE
	385310613	PEDESTAL COVER KIT , BONE
	385310745	PEDESTAL COVER KIT , PLATINUM
	385310746	PEDESTAL COVER KIT , EBONY
7	385310665	BASE KIT, WHITE (inc items 3-12)
	385310614	BASE KIT, BONE (inc items 3-12)
	385310748	BASE KIT, PLATINUM (inc items 3-12)
	385310749	BASE KIT, EBONY (inc items 3-12)
8	385318162	KIT,BALL,SHAFT & CART, WHITE(inc. item 11)
	385310177	KIT,BALL,SHAFT & CART, EBONY(inc. item 11)
9	385310114	PEDAL COVER, WHITE
	385310115	PEDAL COVER, BONE
	385310116	PEDAL COVER, PLATINUM
	385310175	PEDAL COVER, EBONY
10	385314349	WATER VALVE, KIT
11	385236096	SPRING CARTRIDGE, KIT
12	385310578	PEDAL, CARTRIDGE, KIT (inc. item 11)
13	385340177	HOSE, SUPPLY - BONE, EBONY, PLAT
	385345377	HOSE, SUPPLY - WHITE
14	385316906	VACUUM BREAKER, KIT - WITHOUT SPRAY
	385230335	VACUUM BREAKER, KIT - WITH SPRAY
15	385319056	VACUUM BREAKER,SPRAY & BRACKET,CHRM
	385319057	VACUUM BREAKER,SPRAY & BRACKET,EBY
16	600340683	HAND SPRAY, WHITE
	600341770	HAND SPRAY, EBONY
17	385311131	BRACKET, HAND SPRAY-CHROME
	385311125	BRACKET, HAND SPRAY EBONY

Dometic Corporation - Sanitation Systems  
 13128 State Rt. 226, P.O. Box 38  
 Big Prairie, OH 44611-0038 USA  
 Telephone: 330-496-3211  
 Fax: 330-496-3097  
 Email: sealand@dometicusa.com

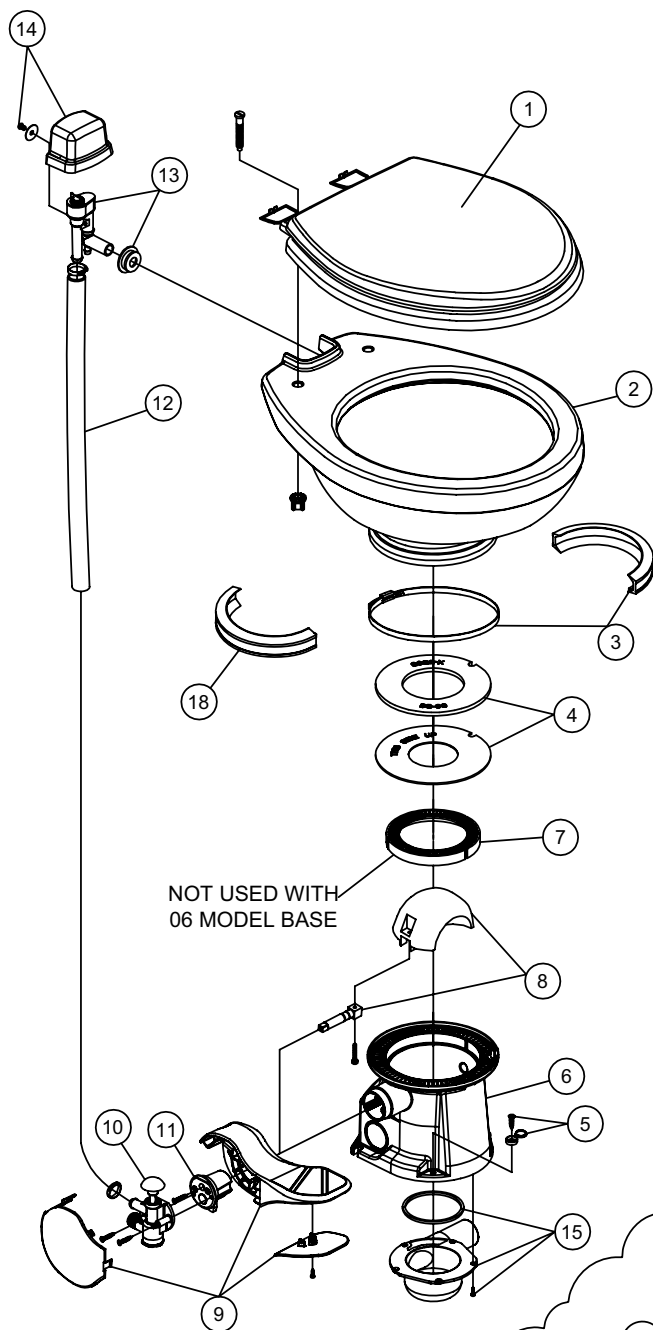
PARTS LIST: 548+



ITEM	PART NO.	DESCRIPTION
1	385343829	KIT, SEAT-CV'R 500+ - WHITE
	385343831	KIT, SEAT-CV'R 500+ - BONE
	385343897	KIT, SEAT-CV'R 500+ - PLAT
	385343901	KIT, SEAT-CV'R 500+ - EBONY
2	385310739	CHINA BOWL KIT, WHITE
	385310740	CHINA BOWL KIT, BONE
	385310741	CHINA BOWL KIT, PLATINUM
	385310742	CHINA BOWL KIT, EBONY
3	385310048	BAND AND HALF CLAMP, KIT
4	385311462	SEAL REPLACEMENT , KIT
5	385316323	MOUNTING HARDWARE
6	385310136	PEDESTAL COVER KIT , WHITE
	385310137	PEDESTAL COVER KIT , BONE
	385310138	PEDESTAL COVER KIT , PLATINUM
	385310174	PEDESTAL COVER KIT , EBONY
7	385310129	BASE KIT, WHITE (inc items 3-12)
	385310130	BASE KIT, BONE (inc items 3-12)
	385310131	BASE KIT, PLATINUM (inc items 3-12)
	385310172	BASE KIT, EBONY (inc items 3-12)
8	385318162	KIT,BALL,SHAFT & CART, WHITE(inc. item 11)
	385310177	KIT,BALL,SHAFT & CART, EBONY(inc. item 11)
9	385310114	PEDAL COVER, WHITE
	385310115	PEDAL COVER, BONE
	385310116	PEDAL COVER, PLATINUM
	385310175	PEDAL COVER, EBONY
10	385314349	WATER VALVE, KIT
11	385236096	SPRING CARTRIDGE, KIT
12	385310578	PEDAL, CARTRIDGE, KIT (inc. item 11)
13	385340177	HOSE, SUPPLY - BONE, EBONY, PLAT
	385345377	HOSE, SUPPLY - WHITE
14	385316906	VACUUM BREAKER, KIT - WITHOUT SPRAY
	385230335	VACUUM BREAKER, KIT - WITH SPRAY
15	385319056	VACUUM BREAKER, SPRAY & BRACKET, CHR
	385319057	VACUUM BREAKER, SPRAY & BRACKET, EBY
16	385310809	HAND SPRAY, CHROME
	385310873	HAND SPRAY, EBONY
17	385311131	BRACKET, HAND SPRAY-CHROME
	385311125	BRACKET, HAND SPRAY EBONY

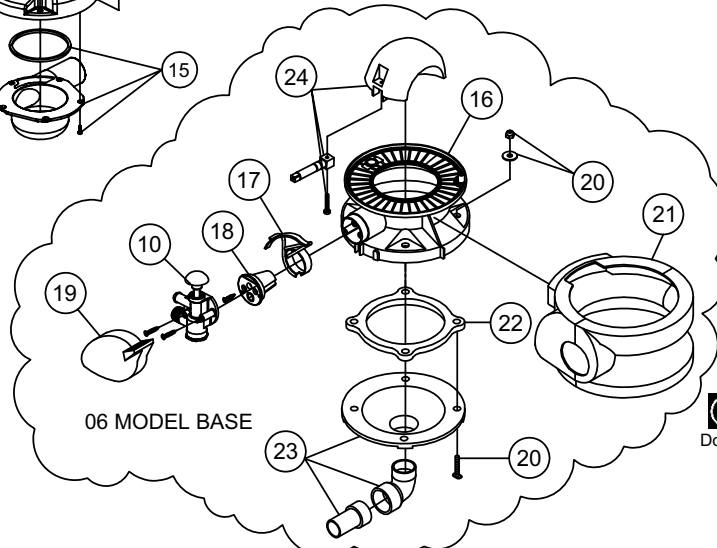
Dometic Corporation - Sanitation Systems  
13128 State Rt. 226, P.O. Box 38  
Big Prairie, OH 44611-0038 USA  
Telephone: 330-496-3211  
Fax: 330-496-3097  
Email: sealand@dometicusa.com

# PARTS LIST: VACUFLUSH 606 - 647 - 648



NOT USED WITH  
06 MODEL BASE

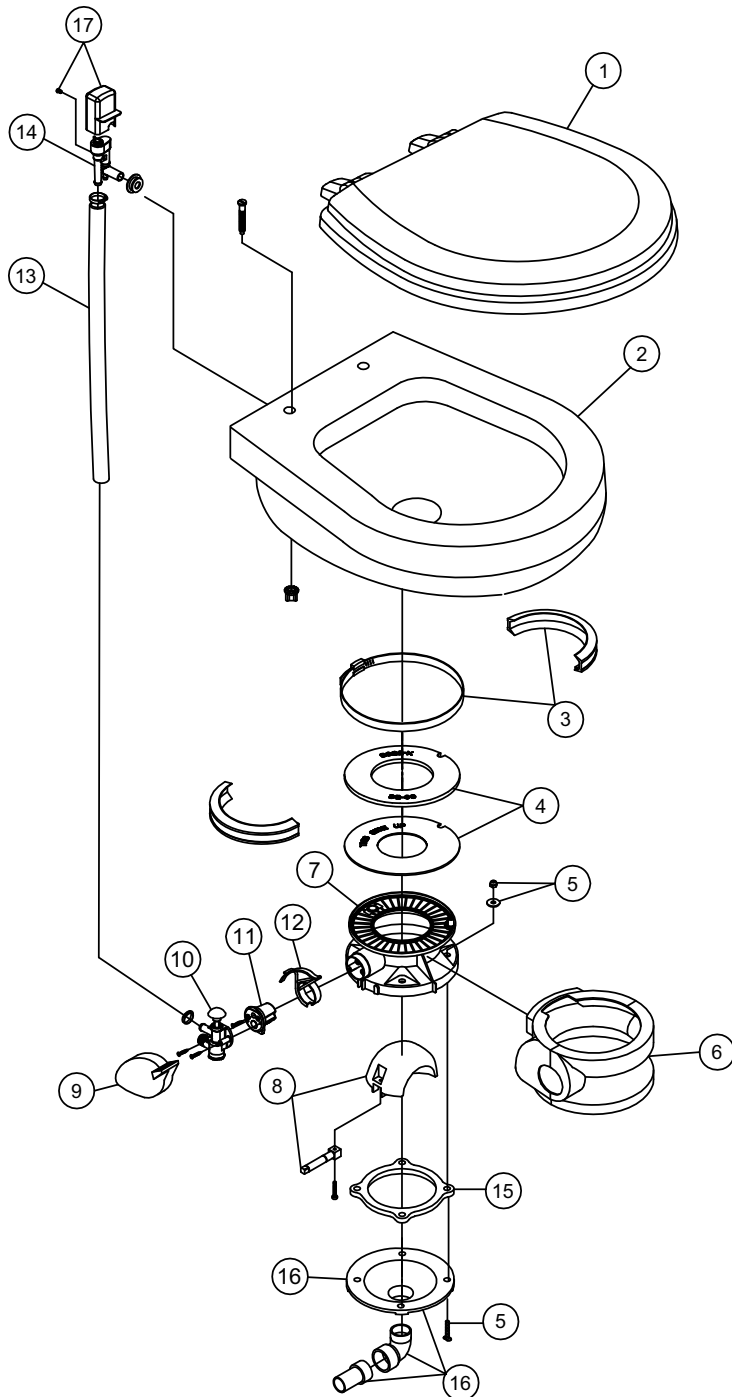
ITEM	PART NUMBER		DESCRIPTION
	647	648	
1	385343829		KIT, SEAT-CV'R 500+ -WHITE
	385343831		KIT, SEAT-CV'R 500+ -BONE
2	385310790		KIT,BOWL TRAVELER LITE/WHITE
	385310791		KIT,BOWL TRAVELER LITE/BONE
3	385310025		KIT, HALF CLAMP-WHITE
	385310048		KIT, HALF CLAMP-BONE
4	385311462		KIT, SEAL KIT-VACUFLUSH
5	385310679		KIT, MOUNTING-ECOVCAC - WHITE
	385310785		KIT, MOUNTING-ECOVCAC - BONE
6	385310685	385310686	BASE KIT , WHITE (INC. 3 -11&15)
	385310783	385310784	BASE KIT , BONE (INC. 3 -11&15)
7	385311292		KIT, BASE RING INSERT
8	385310954		KIT, BALL/BRASS SHAFT/P CART (INC. 11)
9	385310682		KIT, ECOVAC PEDAL/CART-WHT (INC. 11)
	385310762		KIT, PEDAL ECOVAC/110-BONE (INC. 11)
10	385314349		KIT, WATER VALVE
11	385310683		KIT, SPRING CARTRIDGE-ECOVCAC
12	385340177		KIT, SUPPLY HOSE-BONE
	385345377		KIT, SUPPLY HOSE-WHITE
13	385310687		KIT, VAC BRK-ECOVCAC
14	385310795		KIT, VAC BREAKER COVER/TL/WHT
	385310796		KIT, VAC BREAKER COVER/TL/BONE
15	385310680		KIT, DISCHARGE 147/148-ECOVCAC
	385310936		KIT, DISCHARGE 149-ECOVCAC
<b>606 MODEL REPLACEMENT PARTS</b>			
16	385310132		KIT, 506/806/706 BASE-WHT (INC.3 -11&15)
	385310133		KIT, 506/806/706BASE-BONE (INC. 3 -11&15)
17	385310579		KIT, LEVER/CART-SHORT BASE
18	385236096		KIT, SPRING CARTRIDGE
19	385310117		KIT, SHORT PEDAL COVER-WHT
	385310118		KIT, SHORT PEDAL COVER-BONE
20	385310064		KIT, MOUNT-TRAVELER-506/806
21	385310108		KIT, SHORT BASE COVER-WHITE
	385310109		KIT, SHORT BASE COVER-BONE
22	385310063		KIT, FLOOR FLANGE SEAL (INC. 5)
23	385318864		KIT, FUNNEL 506/806/706 (INC. 20 & 23)
24	385310954		KIT, BALL/BRASS SHAFT/P CART (INC. 18)



06 MODEL BASE

**Dometic** *Sealand*  
 Dometic Corporation - Sanitation Systems  
 13128 State Rt. 226, P.O. Box 38  
 Big Prairie, OH 44611-0038 USA  
 Telephone: 330-496-3211  
 Fax: 330-496-3097  
 Email: sealand@dometicus.com

# PARTS LIST: 706

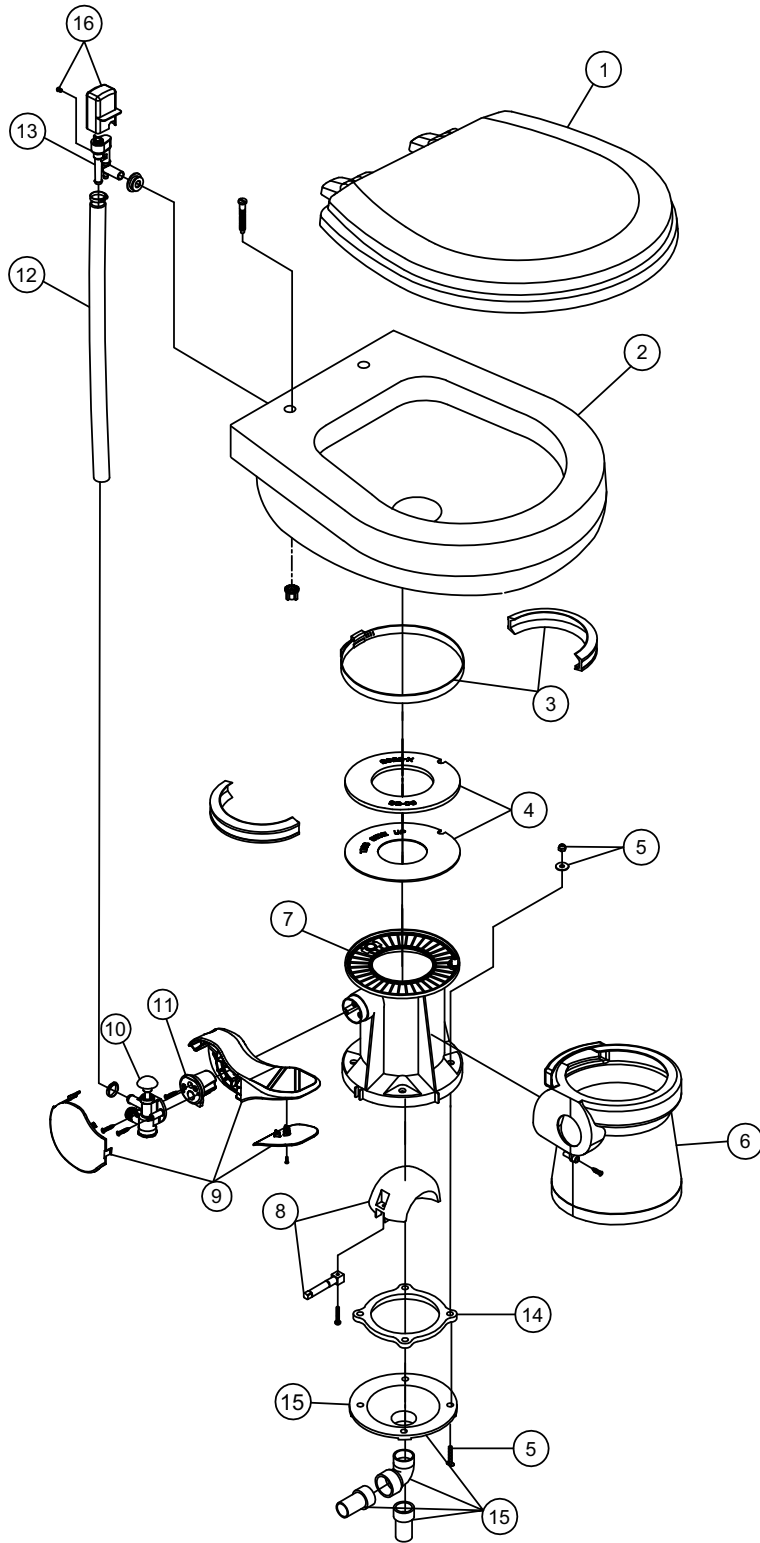


ITEM	PART NO.	DESCRIPTION
1	385344436	SEAT ASSEMBLY, WHITE
	385344437	SEAT ASSEMBLY, BONE
2	385310676	CHINA BOWL KIT, WHITE
	385310781	CHINA BOWL KIT, BONE
3	385310048	BAND AND HALF CLAMP, KIT
4	385311462	SEAL REPLACEMENT , KIT
5	385310064	MOUNTING HARDWARE
6	385310108	PEDESTAL COVER KIT , WHITE
	385310109	PEDESTAL COVER KIT , BONE
7	385310132	BASE KIT, WHITE (inc items 3 -12 & 15,16)
	385310133	BASE KIT, BONE (inc items 3 -12 & 15,16)
8	385318162	KIT,BALL,SHAFT & CART, WHITE(inc. item 11)
9	385310117	PEDAL COVER, WHITE
	385310118	PEDAL COVER, BONE
10	385314349	WATER VALVE, KIT
11	385236096	SPRING CARTRIDGE, KIT
12	385311486	KIT, BENT LEVER/CART-SHT BASE (inc.11)
13	385340177	HOSE, SUPPLY - BONE
	385345377	HOSE, SUPPLY - WHITE
14	385316906	VACUUM BREAKER, KIT
15	385310063	FLOOR FLANGE SEAL (inc. item 5)
16	385318864	FUNNEL KIT (inc. item 5 & 15)
17	385310696	VACUUM BREAKER COVER - WHITE
	385310782	VACUUM BREAKER COVER - BONE



Dometic Corporation - Sanitation Systems  
13128 State Rt. 226, P.O. Box 38  
Big Prairie, OH 44611-0038 USA  
Telephone: 330-496-3211  
Fax: 330-496-3097  
Email: sealand@dometicusa.com

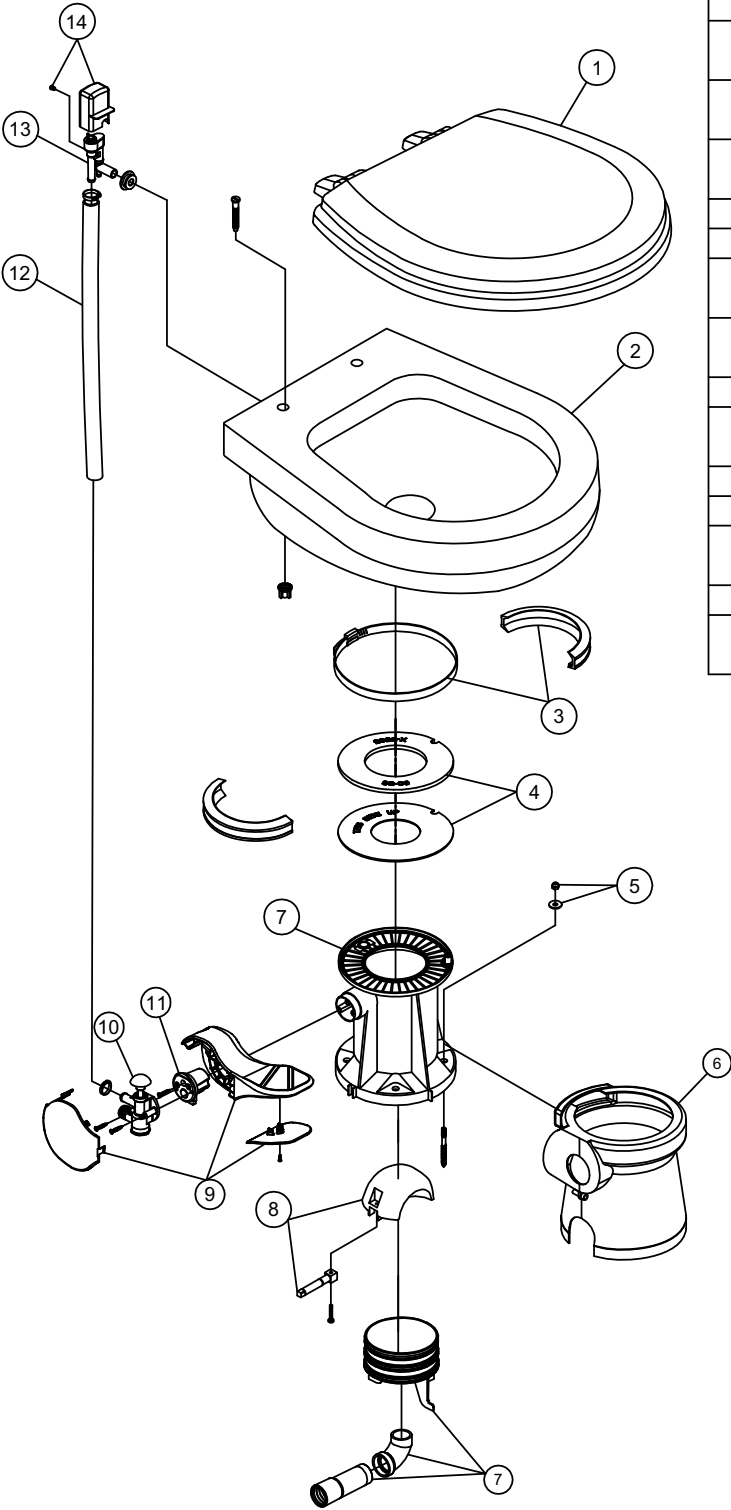
# PARTS LIST: VACUFLUSH 709



ITEM	PART NO.	DESCRIPTION
1	385344436	SEAT ASSEMBLY, WHITE
	385344437	SEAT ASSEMBLY, BONE
2	385310676	CHINA BOWL KIT, WHITE
	385310781	CHINA BOWL KIT, BONE
3	385310025	BAND AND HALF CLAMP, KIT WHITE
	385310048	BAND AND HALF CLAMP, KIT BONE
4	385311462	SEAL REPLACEMENT , KIT
5	385310064	MOUNTING HARDWARE
6	385310111	PEDESTAL COVER KIT , WHITE
	385310112	PEDESTAL COVER KIT , BONE
7	385311081	BASE KIT, WHITE (INC. 3-11 & 14,15)
	385310978	BASE KIT, BONE (INC. 3-11 & 14,15)
8	385310954	KIT, BALL/BRASS SHAFT/P CART(INC. 11)
9	385310682	PEDAL, CARTRIDGE, KIT WHITE (INC. 11)
	385310762	PEDAL, CARTRIDGE, KIT BONE (INC. 11)
10	385314349	WATER VALVE, KIT
11	385310683	SPRING CARTRIDGE, KIT
12	385345377	HOSE, SUPPLY - WHITE
	385340177	HOSE, SUPPLY - BONE
13	385316906	VACUUM BREAKER, KIT
14	385310063	FLOOR FLANGE SEAL (INC. 5)
15	385318864	FUNNEL KIT (INC. 5, 14 & 15)
16	385310696	VACUUM BREAKER COVER - WHITE
	385310782	VACUUM BREAKER COVER - BONE

**Dometic** *Sealand*  
 Dometic Corporation - Sanitation Systems  
 13128 State Rt. 226, P.O. Box 38  
 Big Prairie, OH 44611-0038 USA  
 Telephone: 330-496-3211  
 Fax: 330-496-3097  
 Email: sealand@dometicus.com

# PARTS LIST: VACUFLUSH 748 - 749



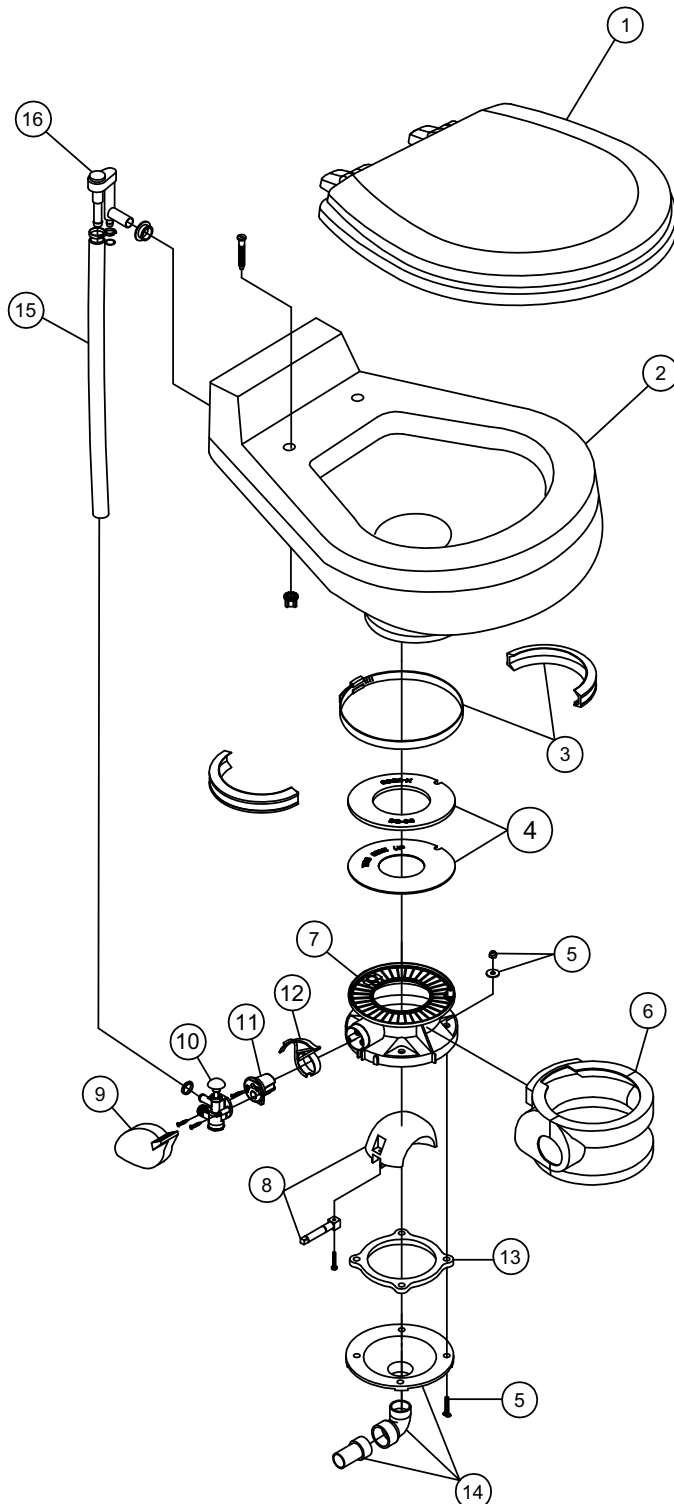
ITEM	PART NO.		DESCRIPTION
	748	749	
1	385344436		SEAT ASSEMBLY, WHITE
	385344437		SEAT ASSEMBLY, BONE
2	385310676		CHINA BOWL KIT, WHITE
	385310781		CHINA BOWL KIT, BONE
3	385310025		BAND AND HALF CLAMP, KIT WHITE
	385310048		BAND AND HALF CLAMP, KIT BONE
4	385311462		SEAL REPLACEMENT , KIT
5	385316323		MOUNTING HARDWARE
6	385310136	385310904	PEDESTAL COVER KIT , WHITE
	385310137	N/A	PEDESTAL COVER KIT , BONE
7	385310910	385310903	BASE KIT, WHITE (inc items 3-11 & 14,15)
	385311086	N/A	BASE KIT, BONE (inc items 3-11 & 14,15)
8	385310954		KIT, BALL/BRASS SHAFT/P CART (inc. item 11)
9	385310682		PEDAL, CARTRIDGE, KIT WHITE (inc. item 11)
	385310762		PEDAL, CARTRIDGE, KIT BONE (inc. item 11)
10	385314349		WATER VALVE, KIT
11	385310683		SPRING CARTRIDGE, KIT
12	385345377		HOSE, SUPPLY - WHITE
	385340177		HOSE, SUPPLY - BONE
13	385316906		VACUUM BREAKER, KIT
14	385310696		VACUUM BREAKER COVER - WHITE
	385310782		VACUUM BREAKER COVER - BONE



Dometic Corporation - Sanitation Systems  
13128 State Rt. 226, P.O. Box 38  
Big Prairie, OH 44611-0038 USA  
Telephone: 330-496-3211  
Fax: 330-496-3097  
Email: sealand@dometicus.com



# PARTS LIST: 806

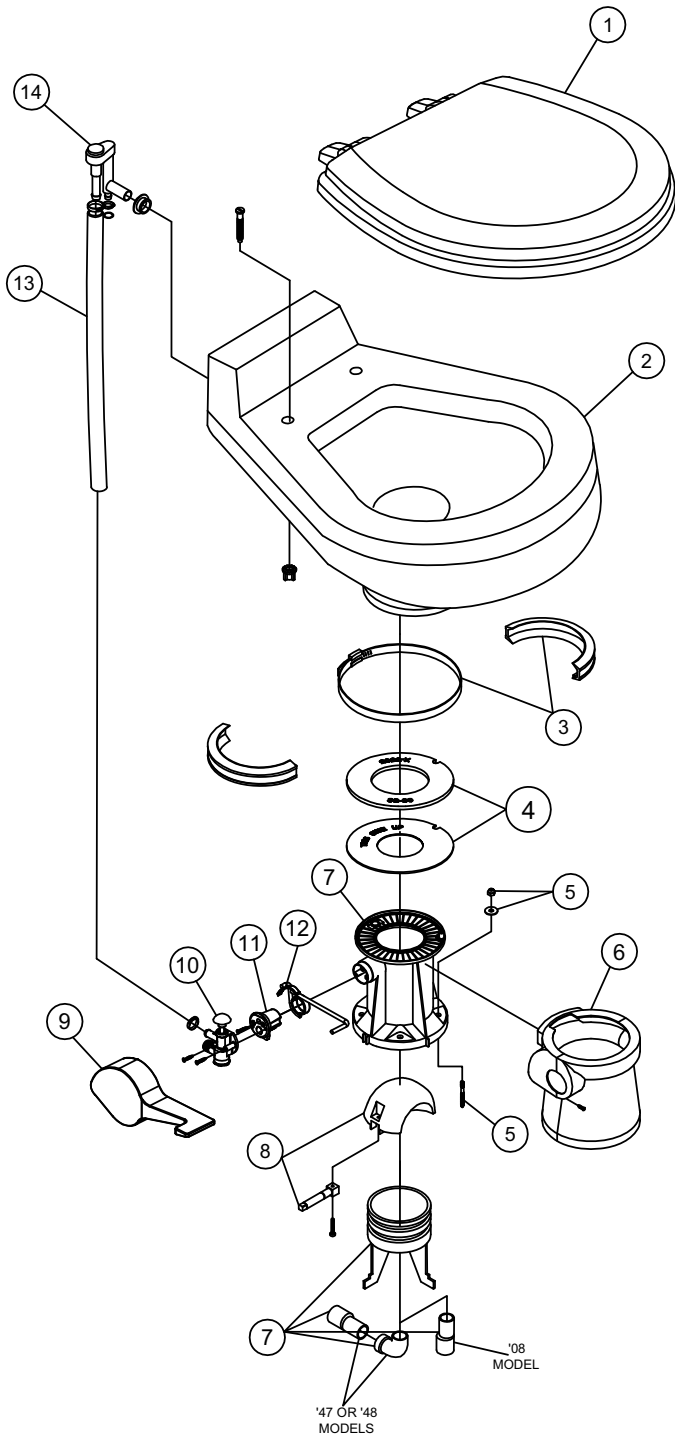


ITEM	PART NO.	DESCRIPTION
1	385344436	SEAT ASSEMBLY, WHITE
	385344437	SEAT ASSEMBLY, BONE
2	385310032	CHINA BOWL KIT, WHITE
	385310033	CHINA BOWL KIT, BONE
3	385310048	BAND & HALF CLAMP KIT - BONE
	385310025	BAND & HALF CLAMP KIT - WHITE
4	385311462	KIT, BASE SEAL/2 SEALS
5	385310064	MOUNTING HARDWARE
6	385310108	PEDESTAL COVER KIT - WHITE
	385310109	PEDESTAL COVER KIT - BONE
7	385310132	BASE KIT - WHITE (inc items 3-14)
	385310133	BASE KIT - BONE (inc items 3-14)
8	385318162	KIT,BALL,SHAFT & CART-(inc. item 11)
9	385310117	PEDAL COVER - WHITE
	385310118	PEDAL COVER - BONE
10	385314349	WATER VALVE - KIT
11	385236096	SPRING CARTRIDGE - KIT
12	385310579	PEDAL, CARTRIDGE, KIT (inc. item 11)
13	385310063	FLOOR FLANGE, (inc item 5)
14	385318864	KIT, FUNNEL 506/806/706 (inc. item 5)
15	385340177	HOSE, SUPPLY - BONE
	385345377	HOSE, SUPPLY - WHITE
16	385316906	VACUUM BREAKER, KIT



Dometic Corporation - Sanitation Systems  
13128 State Rt. 226, P.O. Box 38  
Big Prairie, OH 44611-0038 USA  
Telephone: 330-496-3211  
Fax: 330-496-3097  
Email: sealand@dometicusa.com

# PARTS LIST: 808,847, 848



ITEM	PART NO.	DESCRIPTION
1	385344436	SEAT ASSEMBLY, WHITE
	385344437	SEAT ASSEMBLY, BONE
2	385310032	CHINA BOWL KIT, WHITE
	385310033	CHINA BOWL KIT, BONE
3	385310048	BAND & HALF CLAMP KIT - BONE
	385310025	BAND & HALF CLAMP KIT - WHITE
4	385311462	KIT, BASE SEAL/2 SEALS
5	385316323	MOUNTING HARDWARE
6	385310111	PEDESTAL COVER KIT - WHITE '08 MODEL
	385310112	PEDESTAL COVER KIT - BONE '08 MODEL
	385310674	PEDESTAL COVER KIT - WHITE '47 MODEL
	385310613	PEDESTAL COVER KIT - BONE '47 MODEL
	385310136	PEDESTAL COVER KIT - WHITE '48 MODEL
	385310137	PEDESTAL COVER KIT - BONE '48 MODEL
7	385310126	BASE KIT- WHITE (inc items 3-12) '08 MODEL
	385310127	BASE KIT- BONE (inc items 3-12) '08 MODEL
	385310665	BASE KIT- WHITE (inc items 3-12) '47 MODEL
	385310614	BASE KIT- BONE (inc items 3-12) '47 MODEL
	385310129	BASE KIT- WHITE (inc items 3-12) '48 MODEL
	385310130	BASE KIT- BONE (inc items 3-12) '48 MODEL
8	385318162	KIT,BALL,SHAFT & CART- WHITE(inc. item 11)
9	385310114	PEDAL COVER - WHITE
	385310115	PEDAL COVER - BONE
10	385314349	WATER VALVE - KIT
11	385236096	SPRING CARTRIDGE - KIT
12	385310578	PEDAL, CARTRIDGE, KIT (inc. item 11)
13	385340177	HOSE, SUPPLY - BONE
	385345377	HOSE, SUPPLY - WHITE
14	385316906	VACUUM BREAKER, KIT
N/S	385318741	KIT, FUNNEL '08

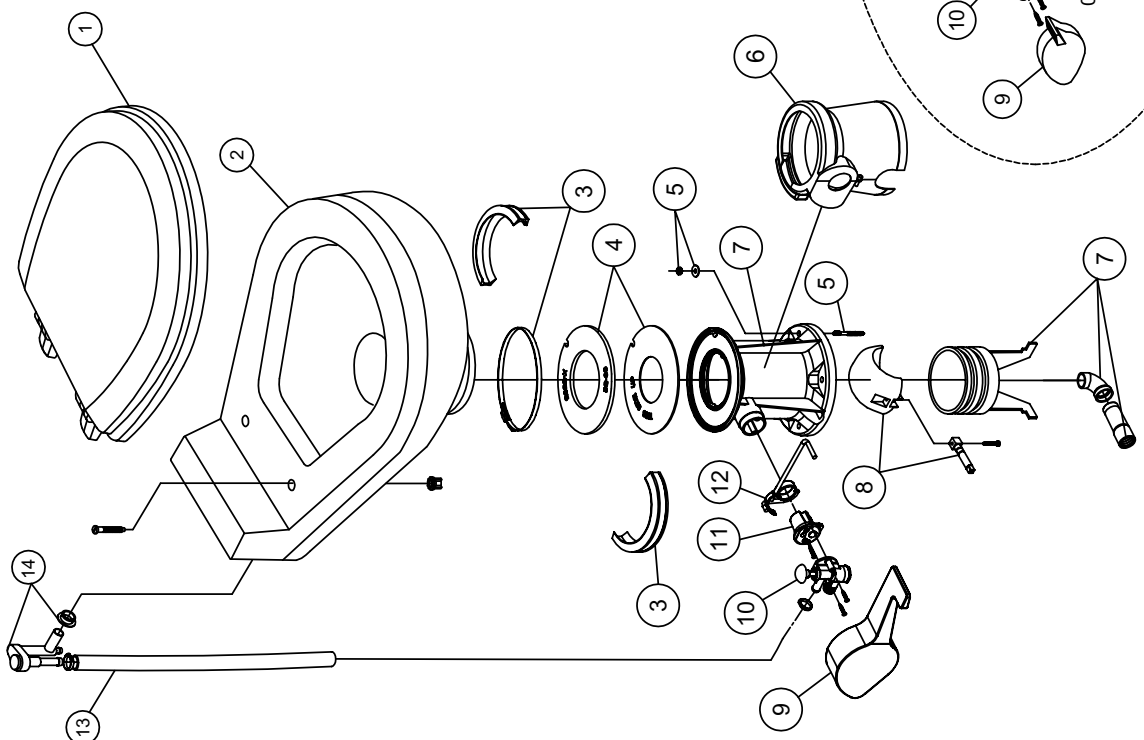
TOILET MODEL	DISCHARGE LOCATION
808	THROUGH THE FLOOR
847	OPPOSITE PEDAL
848	REAR OF TOILET



Dometic Corporation - Sanitation Systems  
13128 State Rt. 226, P.O. Box 38  
Big Prairie, OH 44611-0038 USA  
Telephone: 330-496-3211  
Fax: 330-496-3097  
Email: sealand@dometicus.com

# PARTS LIST: VACUFLUSH MODELS 1006 - 1008 - 1047 - 1048 - 1049

ITEM	PART NUMBER		DESCRIPTION
	1008	1047 1048 1049	
1	385344436 385344437		SEAT ASSEMBLY, WHITE SEAT ASSEMBLY, BONE
2	385310615 385310616		CHINA BOWL KIT, WHITE CHINA BOWL KIT, BONE
3	385310025 385310048		BAND AND HALF CLAMP, KIT WHITE BAND AND HALF CLAMP, KIT BONE
4	385311462		SEAL REPLACEMENT, KIT
5	385310064 385310108 385310111 385310112 385310173 385310674	385310904 385310136 385310137 385310174 N/A	MOUNTING HARDWARE PEDESTAL COVER KIT, WHITE PEDESTAL COVER KIT, BONE PEDESTAL COVER KIT, EBONY
6	385310109 385310126 385310132 385310133 385310127 385310171 385310607	385310613 385310614 385310615 385310129 385310130 385310912 N/A	BASE KIT, WHITE (inc items 3-12) BASE KIT, BONE (inc items 3-12) BASE KIT, EBONY (inc items 3-12)
7	385318162		KIT, BALL, SHAFT & CART, WHITE (inc. item 11)
8	385310177		KIT, BALL, SHAFT & CART, EBONY (inc. item 11)
9	385310117 385310118 385310593	385310111 385310115 385310175	PEDAL COVER, WHITE PEDAL COVER, BONE PEDAL COVER, EBONY
10	385314349		KIT, WATER VALVE
11	385236096		KIT, SPRING CARTRIDGE
12	385310579		KIT, LEVER/CART- BASE
13	385340177 385345377		HOSE, SUPPLY - BONE HOSE, SUPPLY - WHITE
14	385316906		VACUUM BREAKER, KIT
15	385310063		KIT, FLOOR FLANGE SEAL
16	385318864 385318741		KIT, FUNNEL 506/806/706 KIT, FUNNEL '08
N/S			

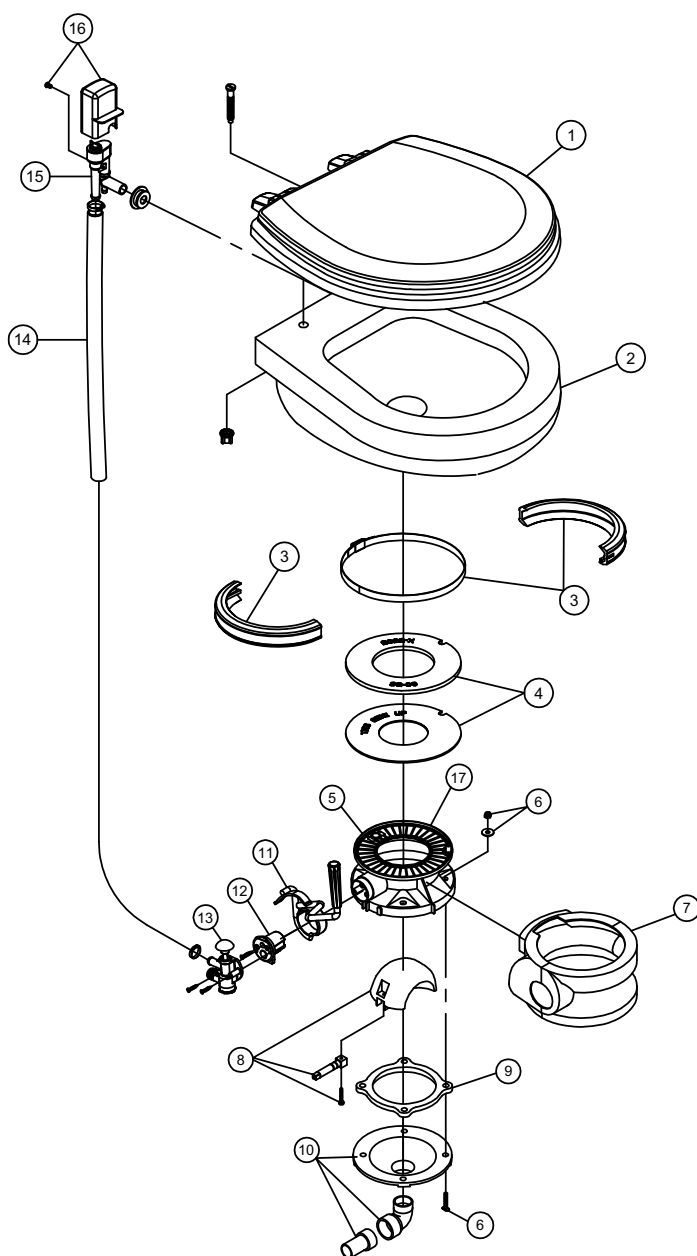


TOILET MODEL	DISCHARGE LOCATION
1008	THROUGH THE FLOOR
1047	OPPOSITE PEDAL
1048	REAR OF TOILET
1049	UNDER PEDAL
1006	THROUGH THE FLOOR

**Dometic** *Sealand*  
 Dometic Corporation - Sanitation Systems  
 13128 State Rt. 226, P. O. Box 38  
 Big Prairie, OH 44611-0038 USA  
 Telephone: 330-496-3211  
 Fax: 330-496-3097  
 Email: sealand@dometicus.com

## PARTS LIST: VACUFLUSH 1106

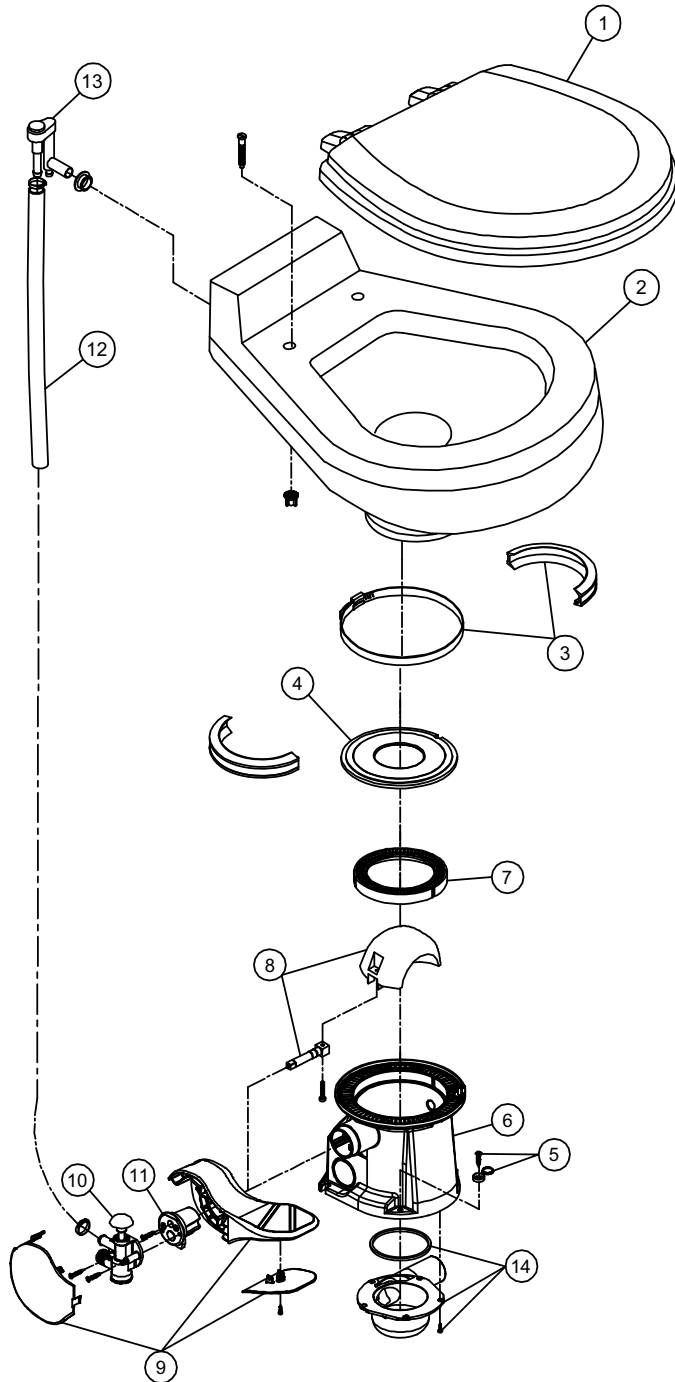
ITEM	PART NO.	DESCRIPTION	ITEM	PART NO.	DESCRIPTION
1	385344437	SEAT & LID ASSEMBLY, BONE	9	385310063	FLOOR FLANGE SEAL KIT (inc.item 6)
2	385310781	CHINA BOWL, BONE	10	385318864	FUNNEL KIT (inc.item 6 & 9)
3	385310048	HALF CLAMP KIT, BONE	11	385311095	HAND FLUSH KIT- (inc.item 12)
4	385311462	BASE, SEAL KIT REPLACEMENT	12	385236096	SPRING CARTRIDGE KIT
5	385311094	BASE KIT, BONE (inc. items 3 -13)	13	385314349	WATER VALVE KIT
6	385310064	MOUNTING KIT	14	385340177	SUPPLY HOSE, BONE
7	385310109	PEDESTAL COVER KIT, BONE	15	385310687	VACUUM BREAKER KIT
8	385318162	BALL/SHAFT/CARTRIDGE KIT (inc. item 12)	16	385310782	VACUUM BREAKER COVER



**Dometic** *Sealand*

Dometic Corporation - Sanitation Systems  
13128 State Rt. 226, P.O. Box 38  
Big Prairie, OH 44611-0038 USA  
Telephone: 330-496-3211  
Fax: 330-496-3097  
Email: sealand@dometicusa.com

# PARTS LIST: 1147 - 1148



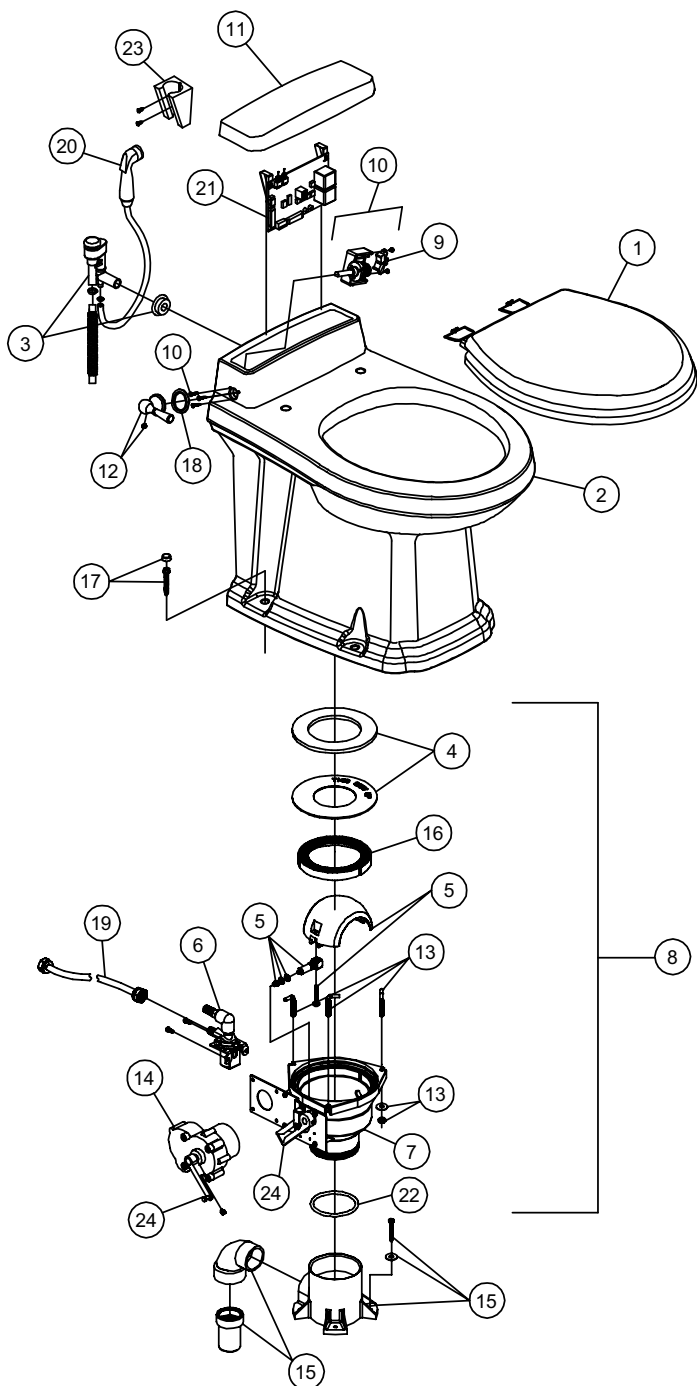
ITEM	PART NUMBER		DESCRIPTION
	1147	1148	
1	385344436		SEAT ASSEMBLY, WHITE
	385344437		SEAT ASSEMBLY, BONE
2	385310615		CHINA BOWL KIT, WHITE
	385310616		CHINA BOWL KIT, BONE
3	385310025		BAND AND HALF CLAMP, KIT WHITE
	385310048		BAND AND HALF CLAMP, KIT BONE
4	385310677		SEAL REPLACEMENT , KIT
5	385310679		MOUNTING HARDWARE - WHITE
	385310785		MOUNTING HARDWARE - BONE
6	385310685	385310686	BASE KIT , WHITE (inc. items 3-11 & 14)
	385310783	385310784	BASE KIT , BONE (inc. items 3-11&14)
7	385311292		BASE RING
8	385310681		KIT,BALL,SHAFT & CART, WHITE (inc. item 11)
9	385310682		PEDAL KIT, WHITE (inc. item 11)
	385310762		PEDAL KIT, BONE (inc. item 11)
10	385314349		WATER VALVE, KIT
11	385310683		SPRING CARTRIDGE, KIT
12	385340177		HOSE, SUPPLY - BONE.
	385345377		HOSE, SUPPLY - WHITE
13	385316906		VACUUM BREAKER, KIT
14	385310680		DISCHARGE KIT

TOILET MODEL	DISCHARGE LOCATION
147	OPPOSITE PEDAL
148	REAR OF TOILET



Dometic Corporation - Sanitation Systems  
13128 State Rt. 226, P.O. Box 38  
Big Prairie, OH 44611-0038 USA  
Telephone: 330-496-3211  
Fax: 330-496-3097  
Email: sealand@dometicus.com

# PARTS LIST: 3048 PLUG IN BASE

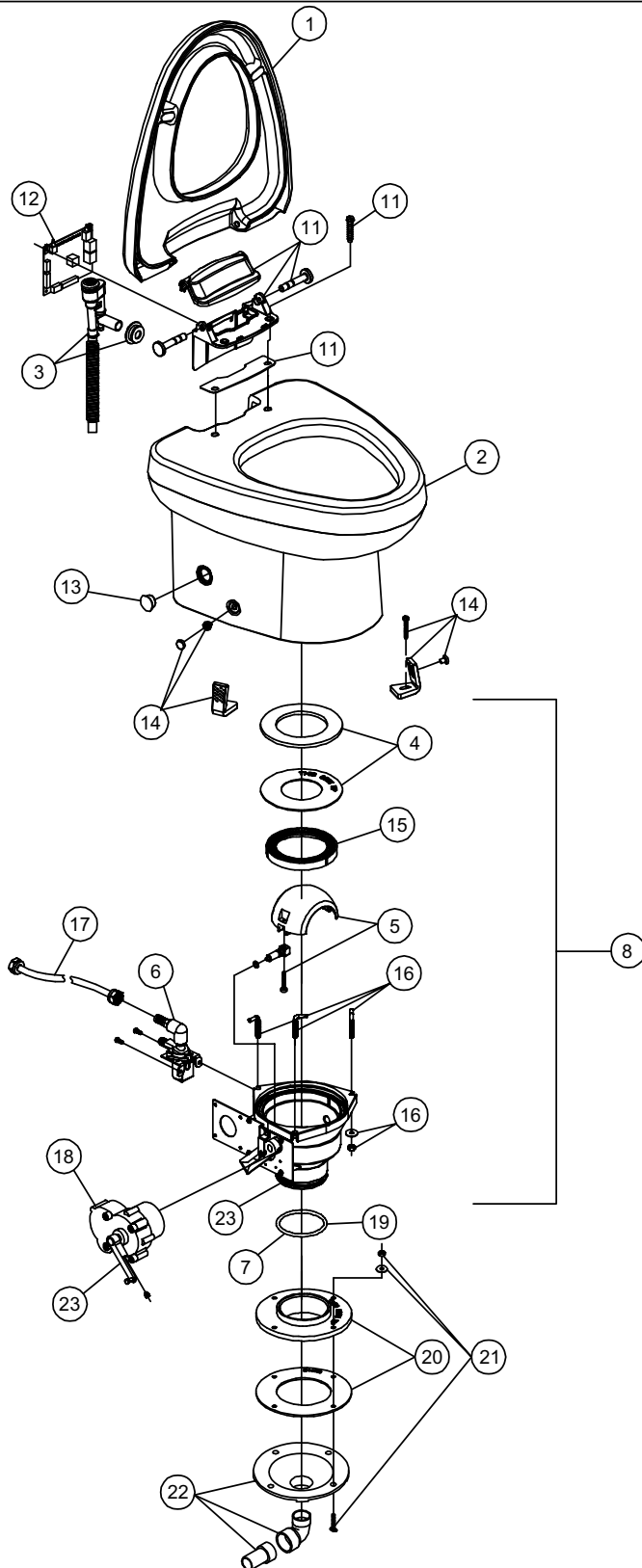


ITEM	PART NUMBER	DESCRIPTION
1	385344022	SEAT & COVER HF, WHITE
	385344023	SEAT & COVER HF, BONE
	385344024	SEAT & COVER HF, PLATINUM
	385344025	SEAT & COVER HF, EBONY
2	385310811	CHINA BOWL, WHITE
	385310812	CHINA BOWL, BONE
	385310867	CHINA BOWL, PLATINUM
	385310869	CHINA BOWL, EBONY
3	385310807	VACUUM BREAKER ASSEMBLY
	385310808	VACUUM BREAKER ASSY-HAND SPRAY MODEL
4	385311009	KIT, SEAL PLUG IN BASE
5	385310969	SHAFT/ HALF BALL KIT
	385310971	SHAFT/HALF BALL KIT EBONY
6	385310821	WATER VALVE w/MOUNTING SCREWS (12VDC)
	385310845	WATER VALVE w/MOUNTING SCREWS (24VDC)
7	385311052	BASE 3048 PLUG IN 12&24
8	385311054	COMPLETE BASE ASSY 12VDC (DOESNT INCLUDE #15)
	385311055	COMPLETE BASE ASSY 24VDC (DOESNT INCLUDE #15)
9	385310965	KIT, ROCKER SWITCH w/CABLE
10	385310964	FLUSH CONTROL ASSY (INCLUDES CABLE)
11	385310851	ACCESS COVER, WHITE
	385310852	ACCESS COVER, BONE
	385310864	ACCESS COVER, PLATINUM
	385310866	ACCESS COVER, EBONY
12	385311141	KIT, FLUSH HANDLE-NICKLE
	385310962	FLUSH HANDLE WITH SET SCREW, CHROME
	385310963	FLUSH HANDLE WITH SET SCREW, GOLD
13	385311011	L- BOLTS/NUTS WASH/ PLUG IN BASE
	385310822	MOTOR & MOUNTING HARDWARE (12VDC)
14	385310846	MOTOR & MOUNTING HARDWARE (24VDC)
15	385311056	ADAPTER 48 PLUG IN
16	385311292	RING, BASE INSERT
17	385310813	CHINA BOWL MOUNTING KIT, CHROME
	385310814	CHINA BOWL MOUNTING KIT, GOLD
18	600344695	WASHER, FLUSH HANDLE
19	385311018	SUPPLY HOSE
20	385310809	HAND SPRAY, WHITE, BONE, PLATINUM
	385310873	HAND SPRAY, EBONY
21	385310888	CONTROL MODULE KIT-12VDC (VACUUM MODELS)
	385310890	CONTROL MODULE KIT-24VDC (VACUUM MODELS)
22	385311294	O'RING, BASE
23	385311131	SPRAY BRACKET, CHROME (includes screws)
	385311125	SPRAY BRACKET, EBONY (includes screws)
24	385311417	KIT, BASE DRIVE ARMS
N/S	385310854	ACCESS COVER MOUNTING KIT

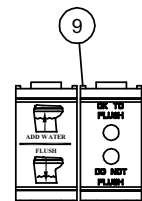
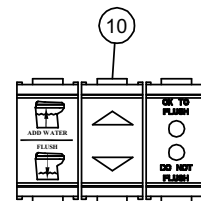
\* WHENEVER THE BASE IS REMOVED, YOU MUST REPLACE THE L-BOLTS AND NUTS.

**Dometic** *Sealand*  
 Dometic Corporation - Sanitation Systems  
 13128 State Rt. 226, P.O. Box 38  
 Big Prairie, OH 44611-0038 USA  
 Telephone: 330-496-3211  
 Fax: 330-496-3097  
 Email: sealand@dometicus.com

# PARTS LIST: 3606 PLUG IN BASE

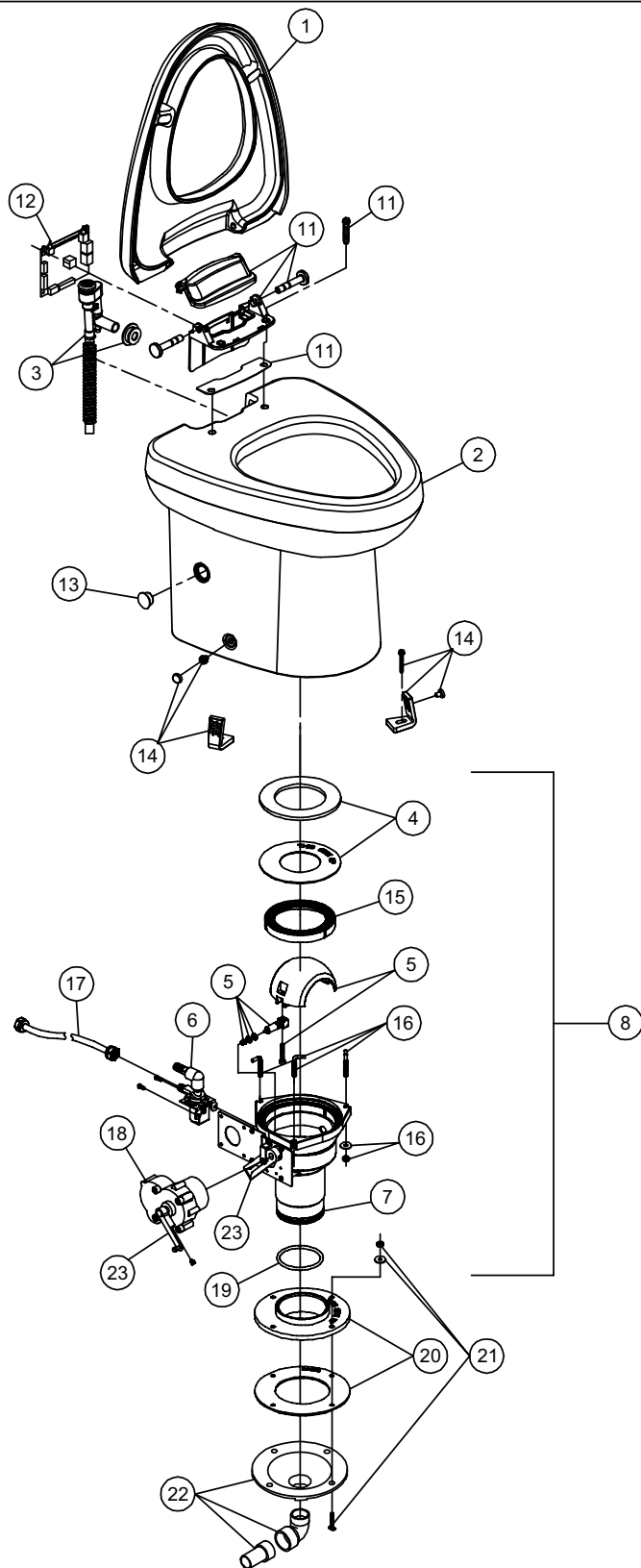


ITEM	PART NUMBER	DESCRIPTION
1	385311061	SEAT & COVER , WHITE
	385311062	SEAT & COVER , BONE
2	385311201	CHINA BOWL, WHITE
	385311202	CHINA BOWL, BONE
3	385310807	VACUUM BREAKER ASSEMBLY
4	385311009	KIT, SEAL PLUG IN BASE
5	385310969	SHAFT/ HALF BALL KIT
6	385310821	WATER VALVE w/MOUNTING SCREWS (12VDC)
	385310845	WATER VALVE w/MOUNTING SCREWS (24VDC)
7	385311053	KIT, BASE '06 PLUG IN (includes item 4,5,15,16,19)
8	385311312	COMPLETE BASE 12VDC PLUG IN (INCLUDES ITEMS 4,7,15-19)
	385311313	COMPLETE BASE 24VDC PLUG IN (INCLUDES ITEMS 4,7,15-19)
9	313401012	FLUSH SWITCH w/CABLE VIMAR 12/WHITE
	313401024	FLUSH SWITCH w/CABLE VIMAR 24/WHITE
	313402012	FLUSH SWITCH w/CABLE VIMAR 12/GRAY
	313402024	FLUSH SWITCH w/CABLE VIMAR 24/GRAY
10	313403012	FLUSH SWITCH w/CABLE GEWIS 12/GRAY
	313403024	FLUSH SWITCH w/CABLE GEWIS 24/GRAY
11	385311060	CIRCUIT BOARD COVER
12	385311058	3600 CIRCUIT BOARD 12VDC
	385311059	3600 CIRCUIT BOARD 24VDC
13	600344788	MANUAL OVERRIDE PLUG WHITE
	600344800	MANUAL OVERRIDE PLUG BONE
14	385311057	MOUNTING KIT
15	385311292	RING BASE INSERT
16	385311011	L- BOLTS/NUTS /WASH/ PLUG IN BASE
17	385311018	SUPPLY HOSE
18	385310822	MOTOR & MOUNTING HARDWARE (12VDC)
	385310846	MOTOR & MOUNTING HARDWARE (24VDC)
19	385311294	O'RING 3.1 X 3.5 X .21
20	385311013	FLOOR FLANGE ADPT (INC. ITEM 21)
21	385310064	MOUNTING HARDWARE
22	385318864	FUNNEL KIT (INC. ITEM 21 )
23	385311417	KIT, BASE DRIVE ARMS

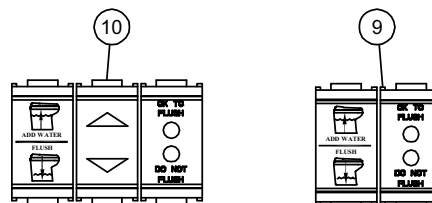


**Dometic** *Sealand*  
Dometic Corporation - Sanitation Systems  
13128 State Rt. 226, P.O. Box 38  
Big Prairie, OH 44611-0038 USA  
Telephone: 330-496-3211  
Fax: 330-496-3097  
Email: sealand@dometicusa.com

# PARTS LIST: 3609 PLUG IN BASE



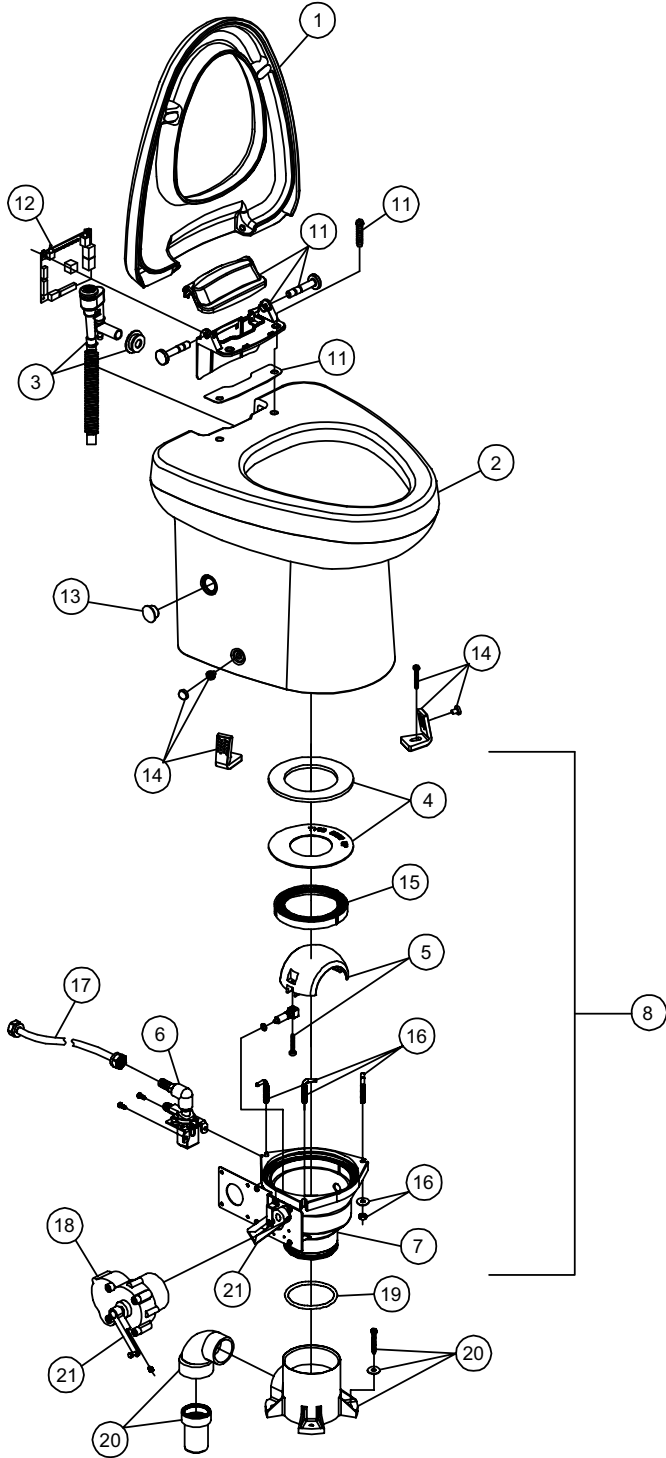
ITEM	PART NUMBER	DESCRIPTION
1	385311061	SEAT & COVER , WHITE
	385311062	SEAT & COVER , BONE
2	385311063	CHINA BOWL, WHITE
	385311064	CHINA BOWL, BONE
3	385310807	VACUUM BREAKER ASSEMBLY
4	385311009	KIT, SEAL PLUG IN BASE
5	385310969	SHAFT/ HALF BALL KIT
6	385310821	WATER VALVE w/MOUNTING SCREWS (12VDC)
	385310845	WATER VALVE w/MOUNTING SCREWS (24VDC)
7	385311051	BASE PLUG IN
8	385311050	COMPLETE BASE 12VDC PLUG IN (INCLUDES ITEMS 4-7, 16-19)
	385311170	COMPLETE BASE 24VDC PLUG IN (INCLUDES ITEMS 4-7, 14,16,19,22)
9	313401012	FLUSH SWITCH w/CABLE VIMAR 12/WHITE
	313401024	FLUSH SWITCH w/CABLE VIMAR 24/WHITE
	313402012	FLUSH SWITCH w/CABLE VIMAR 12/GRAY
	313402024	FLUSH SWITCH w/CABLE VIMAR 24/GRAY
10	313403012	FLUSH SWITCH w/CABLE GEWIS 12/GRAY
	313403024	FLUSH SWITCH w/CABLE GEWIS 24/GRAY
11	385311060	CIRCUIT BOARD COVER
12	385311058	3600 CIRCUIT BOARD 12VDC
	385311059	3600 CIRCUIT BOARD 24VDC
13	600344788	MANUAL OVERRIDE PLUG WHITE
	600344800	MANUAL OVERRIDE PLUG BONE
14	385311057	MOUNTING KIT
15	385311292	RING BASE INSERT
16	385311011	L- BOLTS/NUTS /WASH/ PLUG IN BASE
17	385311018	SUPPLY HOSE
18	385310822	MOTOR & MOUNTING HARDWARE (12VDC)
	385310846	MOTOR & MOUNTING HARDWARE (24VDC)
19	385311294	O'RING 3.1 X 3.5 X .21
20	385311013	FLOOR FLANGE ADAPTER KIT (includes item 21)
21	385310064	MOUNTING HARDWARE
22	385318864	MOUNTING FUNNEL ( includes item 21)
23	385311417	KIT, BASE DRIVE ARMS



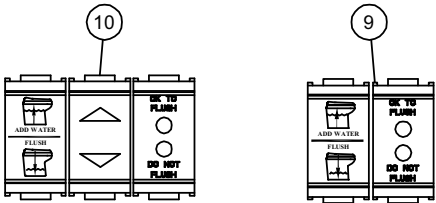
**Dometic** *Sealand*  
Dometic Corporation - Sanitation Systems  
13128 State Rt. 226, P.O. Box 38  
Big Prairie, OH 44611-0038 USA  
Telephone: 330-496-3211  
Fax: 330-496-3097  
Email: sealand@dometicusa.com



# PARTS LIST: 3648 PLUG IN BASE



ITEM	PART NUMBER	DESCRIPTION
1	385311061	SEAT & COVER , WHITE
	385311062	SEAT & COVER , BONE
2	385311063	CHINA BOWL, WHITE
	385311064	CHINA BOWL, BONE
3	385310807	VACUUM BREAKER ASSEMBLY
4	385311009	KIT, SEAL PLUG IN BASE
5	385310969	SHAFT/ HALF BALL KIT
6	385310821	WATER VALVE w/MOUNTING SCREWS (12VDC)
	385310845	WATER VALVE w/MOUNTING SCREWS (24VDC)
7	385311052	BASE PLUG IN (includes item 4,5,15,16,19)
8	385311054	COMPLETE BASE 12VDC PLUG IN (INCLUDES ITEMS 4-7, 15-20)
	385311055	COMPLETE BASE 24VDC PLUG IN (INCLUDES ITEMS 4-7, 15-20)
9	313401012	FLUSH SWITCH w/CABLE VIMAR 12/WHITE
	313401024	FLUSH SWITCH w/CABLE VIMAR 24/WHITE
	313402012	FLUSH SWITCH w/CABLE VIMAR 12/GRAY
	313402024	FLUSH SWITCH w/CABLE VIMAR 24/GRAY
10	313403012	FLUSH SWITCH w/CABLE GEWIS 12/GRAY
	313403024	FLUSH SWITCH w/CABLE GEWIS 24/GRAY
11	385311060	CIRCUIT BOARD COVER
12	385311058	3600 CIRCUIT BOARD 12VDC
	385311059	3600 CIRCUIT BOARD 24VDC
13	600344788	MANUAL OVERRIDE PLUG WHITE
	600344800	MANUAL OVERRIDE PLUG BONE
14	385311057	MOUNTING KIT
15	385311292	RING BASE INSERT
16	385311011	L- BOLTS/NUTS /WASH/ PLUG IN BASE
17	385311018	SUPPLY HOSE
18	385310822	MOTOR & MOUNTING HARDWARE (12VDC)
	385310846	MOTOR & MOUNTING HARDWARE (24VDC)
19	385311294	KIT, O'RING PLUG-IN BASE
20	385311056	ADAPTER 48 PLUG IN
21	385311417	KIT, BASE DRIVE ARMS

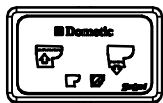
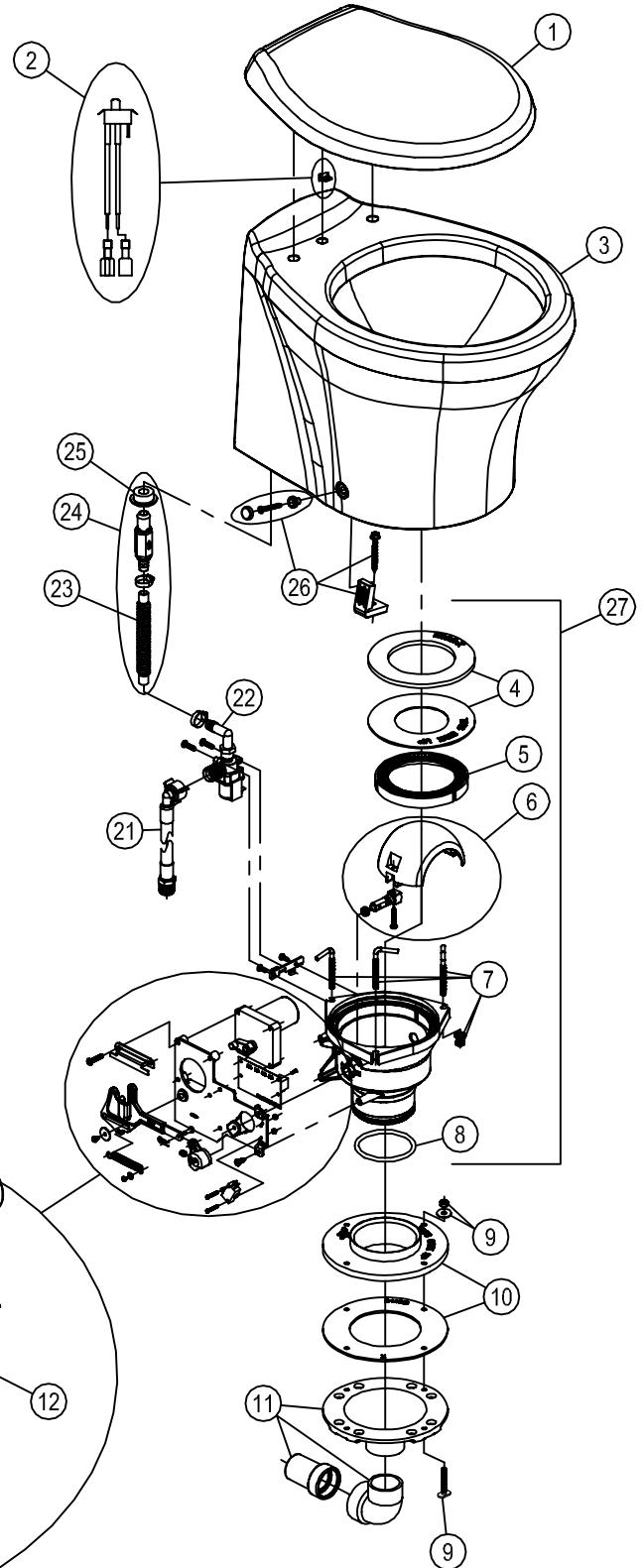


**Dometic** *Sealand*  
Dometic Corporation - Sanitation Systems  
13128 State Rt. 226, P.O. Box 38  
Big Prairie, OH 44611-0038 USA  
Telephone: 330-496-3211  
Fax: 330-496-3097  
Email: sealand@dometicusa.com

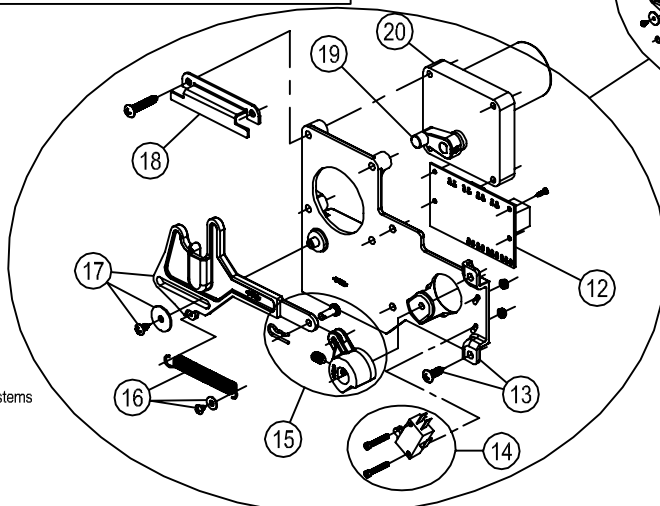
# PARTS LIST: 4606 MODEL SERIES

ITEM	PART NUMBER & DESCRIPTION
1	385311618 SEAT/COVER SLOW-CLOSE - WHITE 385311619 SEAT/COVER SLOW-CLOSE - BONE
2	385311691 SERVICE SWITCH REPLACEMENT
3	385311867 4600 SHORT BOWL KIT - WHITE 385311868 4600 SHORT BOWL KIT - BONE
4	385311009 FLUSH BALL SEAL REPL KIT **INCLUDES ITEMS 7.
5	385311292 BASE FLUSH BALL RING KIT
6	385310969 FLUSH BALL/SHAFT REPL KIT
7	385311011 BASE TO BOWL MOUNTING HARDWARE
8	385311294 BASE O'RING REPL KIT
9	385310064 FLOOR FLANGE MOUNTING HARDWARE
10	385311013 FLOOR FLANGE ADAPTER KIT **INCLUDES ITEMS 9.
11	385318864 VF FUNNEL KIT **INCLUDES ITEMS 9.
12	385311690 CONTROL MODULE
13	385311394 FLUSH MECHANISM w/MTG BRACKET **INCLUDES ITEMS 14, 15, 16, 17, 18.
14	385311673 FLUSH ACTUATION SWITCH
15	385311296 FLUSH BALL CAM REPL KIT
16	385311393 FLUSH MECHANISM RETURN SPRING
17	385311392 FLUSH MECHANISM LINKAGE
18	385311429 FLUSH LINKAGE GUIDE BRACKET
19	385311299 MOTOR DRIVE ARM REPL KIT
20	385311300 MOTOR REPLACEMENT KIT - 12VDC 385311390 MOTOR REPLACEMENT KIT - 24VDC **INCLUDES ITEM 19.
21	385311547 WATER SUPPLY HOSE
22	385311545 WATER VALVE KIT - 12VDC 385311546 WATER VALVE KIT - 24VDC
23	385311869 CORRUGATED SUPPLY HOSE
24	385311384 CHECK VALVE w/HOSE **INCLUDES ITEM 23 & 25.
25	385311164 1/2" SEALING GROMMET
26	385311463 BOWL MOUNTING HARDWARE KIT
27	385311395 '06 PLUG-IN BASE KIT - 12VDC 385311396 '06 PLUG-IN BASE KIT - 24VDC **INCLUDES ITEMS 4-8 & 12-24.

28 313400021 DOMETIC TOUCHPAD VF - BLACK  
313400022 DOMETIC TOUCHPAD VF - WHITE

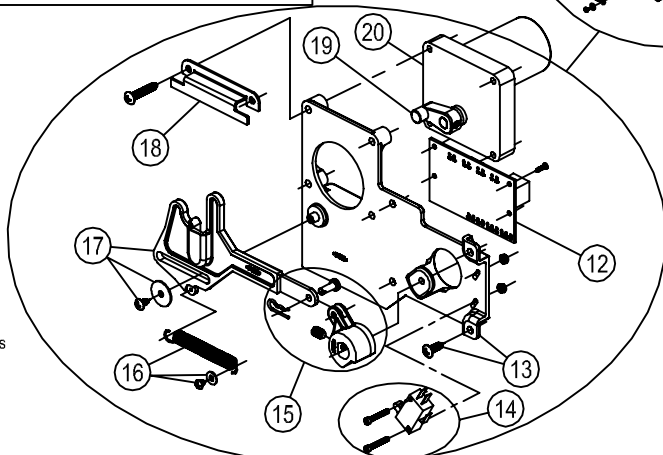
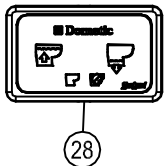
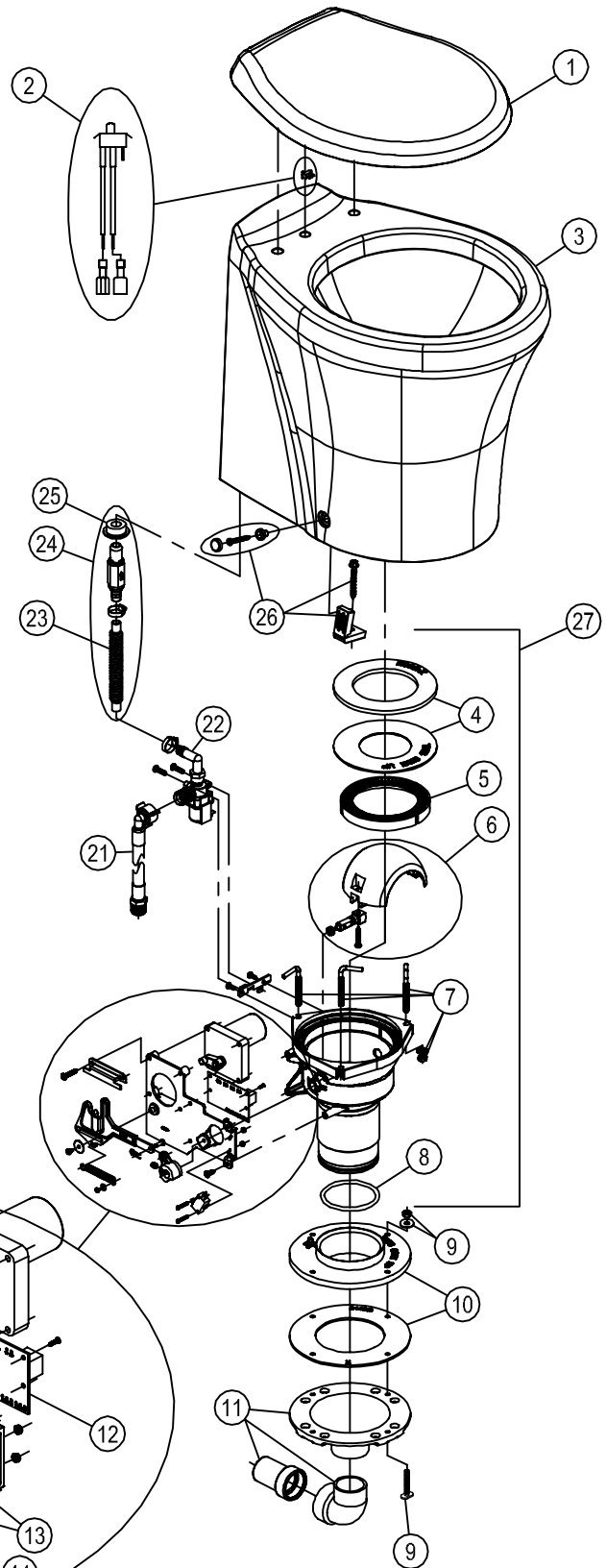


28



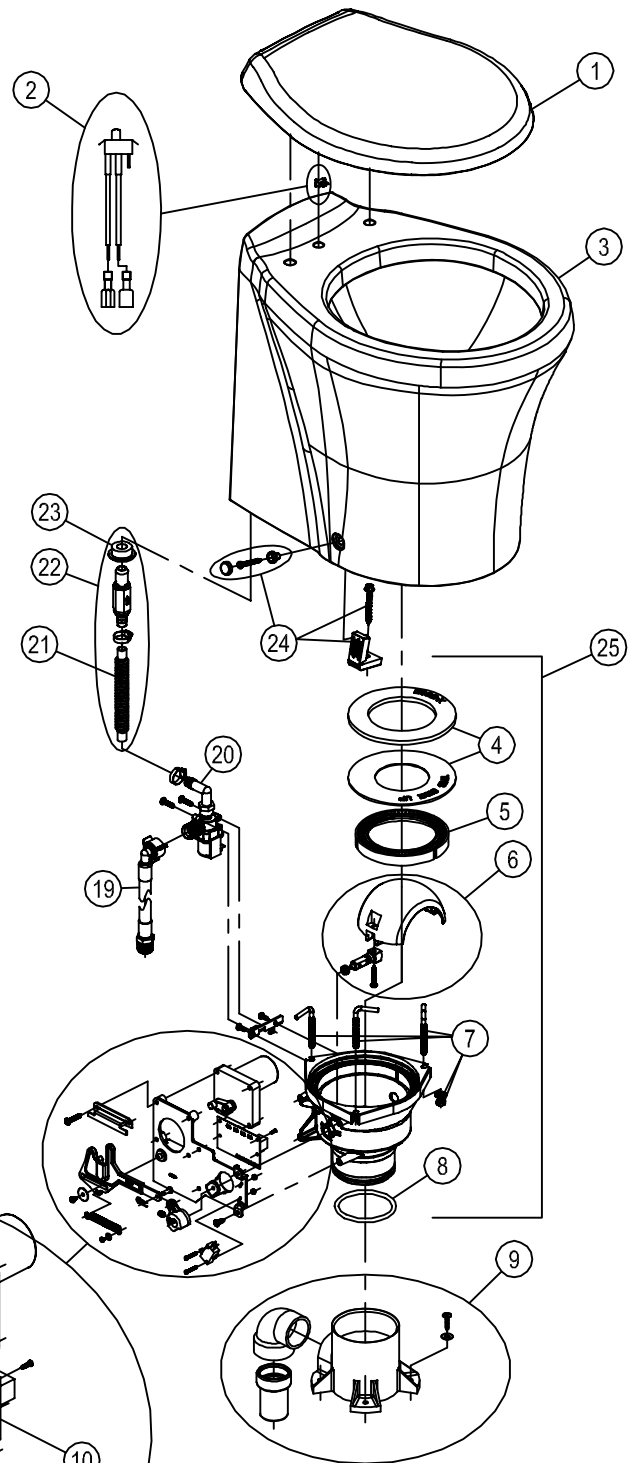
# PARTS LIST: 4609 MODEL SERIES

ITEM	PART NUMBER & DESCRIPTION
1	385311618 SEAT/COVER SLOW-CLOSE - WHITE 385311619 SEAT/COVER SLOW-CLOSE - BONE
2	385311691 SERVICE SWITCH REPLACEMENT
3	385311870 4600 TALL BOWL KIT - WHITE 385311871 4600 TALL BOWL KIT - BONE
4	385311009 FLUSH BALL SEAL REP'L KIT **INCLUDES ITEMS 7.
5	385311292 BASE FLUSH BALL RING KIT
6	385310969 FLUSH BALL/SHAFT REP'L KIT
7	385311011 BASE TO BOWL MOUNTING HARDWARE
8	385311294 BASE O'RING REP'L KIT
9	385310064 FLOOR FLANGE MOUNTING HARDWARE
10	385311013 FLOOR FLANGE ADAPTER KIT **INCLUDES ITEMS 9.
11	385318864 VF FUNNEL KIT **INCLUDES ITEMS 9.
12	385311690 CONTROL MODULE
13	385311394 FLUSH MECHANISM w/MTG BRACKET **INCLUDES ITEMS 14, 15, 16, 17, 18.
14	385311673 FLUSH ACTUATION SWITCH
15	385311296 FLUSH BALL CAM REP'L KIT
16	385311393 FLUSH MECHANISM RETURN SPRING
17	385311392 FLUSH MECHANISM LINKAGE
18	385311429 FLUSH LINKAGE GUIDE BRACKET
19	385311299 MOTOR DRIVE ARM REP'L KIT
20	385311300 MOTOR REPLACEMENT KIT - 12VDC 385311390 MOTOR REPLACEMENT KIT - 24VDC **INCLUDES ITEM 19.
21	385311547 WATER SUPPLY HOSE
22	385311545 WATER VALVE KIT - 12VDC 385311546 WATER VALVE KIT - 24VDC
23	385311869 CORRUGATED SUPPLY HOSE
24	385311384 CHECK VALVE w/HOSE **INCLUDES ITEM 23 & 25.
25	385311164 1/2" SEALING GROMMET
26	385311463 BOWL MOUNTING HARDWARE KIT
27	385311397 '09 PLUG-IN BASE KIT - 12VDC 385311398 '09 PLUG-IN BASE KIT - 24VDC **INCLUDES ITEMS 4-8 & 12-24.
28	313400021 DOMETIC TOUCHPAD VF - BLACK 313400022 DOMETIC TOUCHPAD VF - WHITE

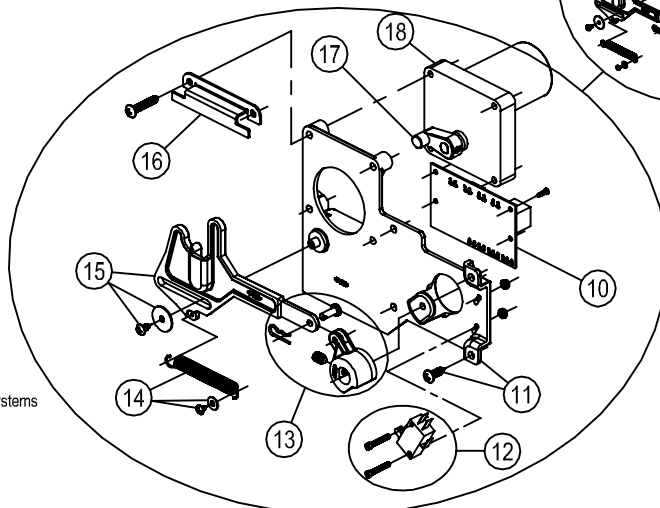


# PARTS LIST: 4648 MODEL SERIES

ITEM	PART NUMBER & DESCRIPTION
1	385311618 SEAT/COVER SLOW-CLOSE - WHITE 385311619 SEAT/COVER SLOW-CLOSE - BONE
2	385311691 SERVICE SWITCH REPLACEMENT
3	385311870 4600 TALL BOWL KIT - WHITE 385311871 4600 TALL BOWL KIT - BONE
4	385311009 FLUSH BALL SEAL REPL KIT **INCLUDES ITEMS 7.
5	385311292 BASE FLUSH BALL RING KIT
6	385310969 FLUSH BALL/SHAFT REPL KIT
7	385311011 BASE TO BOWL MOUNTING HARDWARE
8	385311294 BASE O'RING REPL KIT
9	385311056 ABOVE FLOOR DISCHARGE ADAPT KIT
10	385311690 CONTROL MODULE
11	385311394 FLUSH MECHANISM w/MTG BRACKET **INCLUDES ITEMS 12, 13, 14, 15, 16.
12	385311673 FLUSH ACTUATION SWITCH
13	385311296 FLUSH BALL CAM REPL KIT
14	385311393 FLUSH MECHANISM RETURN SPRING
15	385311392 FLUSH MECHANISM LINKAGE
16	385311429 FLUSH LINKAGE GUIDE BRACKET
17	385311299 MOTOR DRIVE ARM REPL KIT
18	385311300 MOTOR REPLACEMENT KIT - 12VDC 385311390 MOTOR REPLACEMENT KIT - 24VDC **INCLUDES ITEM 17.
19	385311547 WATER SUPPLY HOSE
20	385311545 WATER VALVE KIT - 12VDC 385311546 WATER VALVE KIT - 24VDC
21	385311869 CORRUGATED SUPPLY HOSE
22	385311384 CHECK VALVE w/HOSE **INCLUDES ITEM 21 & 23.
23	385311164 1/2" SEALING GROMMET
24	385311463 BOWL MOUNTING HARDWARE KIT
25	385311399 '48 PLUG-IN BASE KIT - 12VDC 385311400 '48 PLUG-IN BASE KIT - 24VDC **INCLUDES ITEMS 4-8 & 10-22.
26	313400021 DOMETIC TOUCHPAD VF - BLACK 313400022 DOMETIC TOUCHPAD VF - WHITE



26

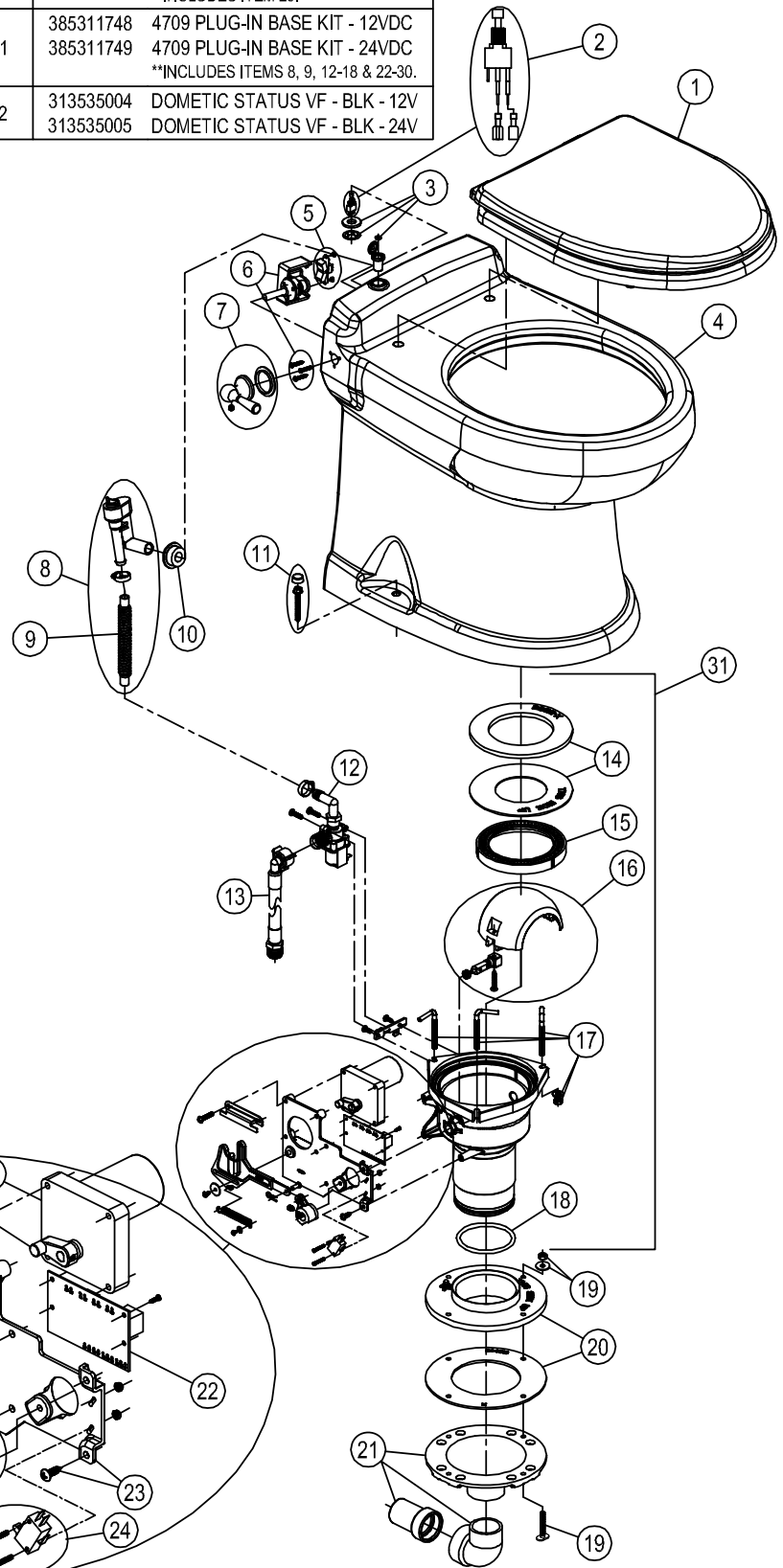


Dometic Corporation - Sanitation Systems  
13128 State Rt. 226, P.O. Box 38  
Big Prairie, OH 44611-0038 USA  
Telephone: 330-496-3211  
Fax: 330-496-3097  
Email: sealand@dometicusa.com

# PARTS LIST: 4709 MODEL SERIES w/FLUSH HANDLE

ITEM	PART NUMBER & DESCRIPTION
1	385311005 SEAT/COVER - WHITE 385311006 SEAT/COVER - BONE
2	385311752 SERVICE SWITCH REPLACEMENT
3	385311750 SERVICE SWITCH HOUSING - WHITE 385311751 SERVICE SWITCH HOUSING - BONE
4	385311730 4700 BOWL KIT - WHITE 385311731 4700 BOWL KIT - BONE
5	385311703 FLUSH HANDLE SWITCH w/WIRING
6	385311704 FLUSH HANDLE ASSEMBLY **INCLUDES ITEM 5.
7	385310962 FLUSH HANDLE KIT - CHROME 385310963 FLUSH HANDLE KIT - GOLD 385311141 FLUSH HANDLE KIT - NICKLE
8	385310807 VACUUM BREAKER KIT **INCLUDES ITEMS 9 & 10.
9	385311869 CORRUGATED SUPPLY HOSE
10	385311164 1/2" SEALING GROMMET
11	385311022 BOWL MOUNTING HARDWARE
12	385311545 WATER VALVE KIT - 12VDC 385311546 WATER VALVE KIT - 24VDC
13	385311547 WATER SUPPLY HOSE
14	385311009 FLUSH BALL SEAL REP'L KIT **INCLUDES ITEMS 17.
15	385311292 BASE FLUSH BALL RING KIT
16	385310969 FLUSH BALL/SHAFT REP'L KIT
17	385311011 BASE TO BOWL MOUNTING HARDWARE
18	385311294 BASE O'RING REP'L KIT
19	385310064 FLOOR FLANGE MOUNTING HARDWARE
20	385311013 FLOOR FLANGE ADAPTER KIT **INCLUDES ITEMS 19.
21	385318864 VF FUNNEL KIT **INCLUDES ITEMS 19.
22	385311690 CONTROL MODULE
23	385311394 FLUSH MECHANISM w/MTG BRACKET **INCLUDES ITEMS 24, 25, 26, 27, 28.
24	385311673 FLUSH ACTUATION SWITCH
25	385311296 FLUSH BALL CAM REP'L KIT
26	385311393 FLUSH MECHANISM RETURN SPRING
27	385311392 FLUSH MECHANISM LINKAGE
28	385311429 FLUSH LINKAGE GUIDE BRACKET
29	385311299 MOTOR DRIVE ARM REP'L KIT

30	385311300 MOTOR REP'L KIT - 12VDC 385311390 MOTOR REP'L KIT - 24VDC **INCLUDES ITEM 29.
31	385311748 4709 PLUG-IN BASE KIT - 12VDC 385311749 4709 PLUG-IN BASE KIT - 24VDC **INCLUDES ITEMS 8, 9, 12-18 & 22-30.
32	313535004 DOMETIC STATUS VF - BLK - 12V 313535005 DOMETIC STATUS VF - BLK - 24V

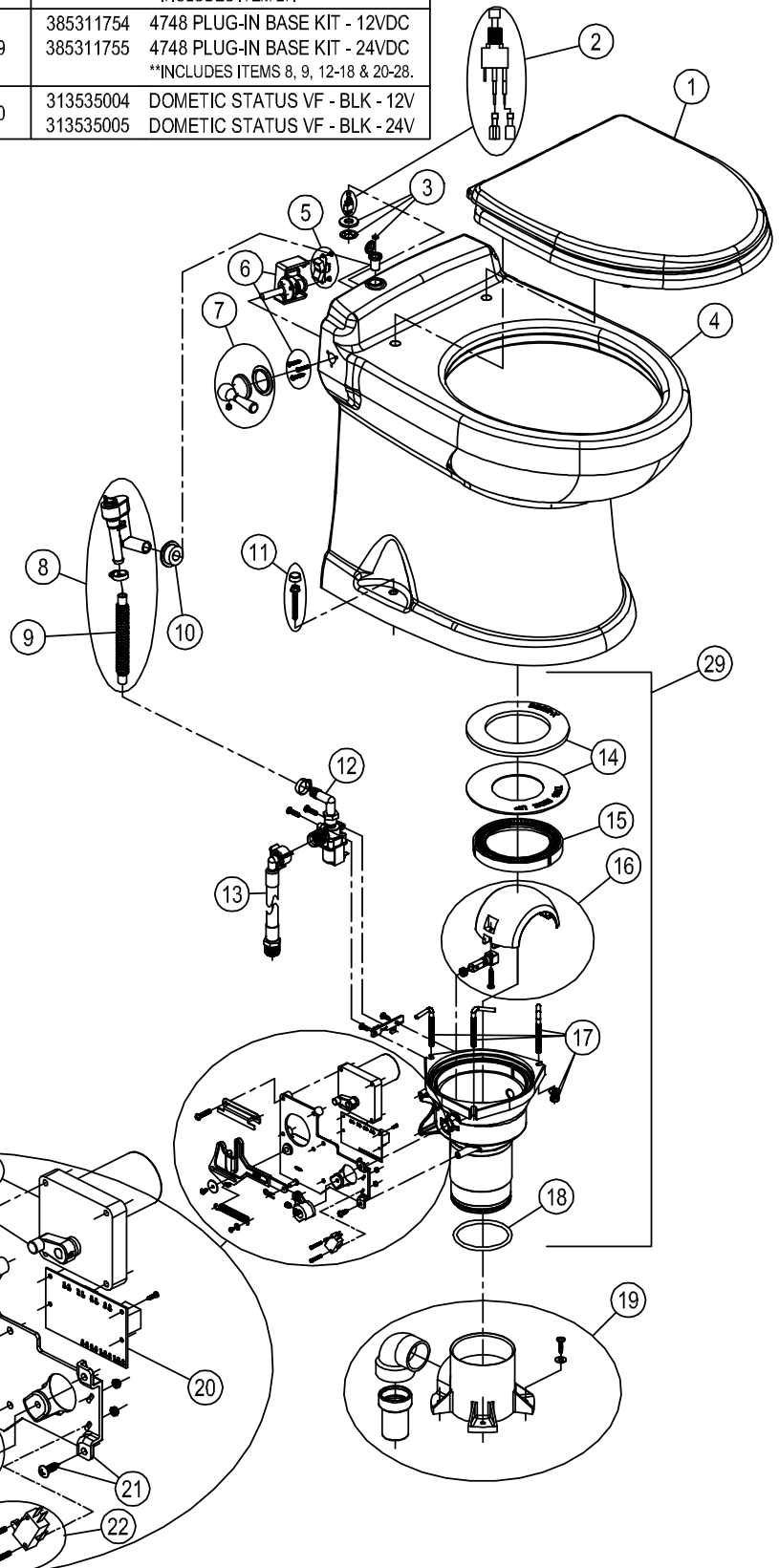


Domestic Corporation -  
Sanitation Systems  
13128 State Rt. 226, P.O. Box 38  
Big Prairie, OH 44611-0038 USA  
Telephone: 330-496-3211  
Fax: 330-496-3097  
Email: sealand@domesticusa.com

# PARTS LIST: 4748 MODEL SERIES w/FLUSH HANDLE

ITEM	PART NUMBER & DESCRIPTION
1	385311005 SEAT/COVER - WHITE 385311006 SEAT/COVER - BONE
2	385311752 SERVICE SWITCH REPLACEMENT
3	385311750 SERVICE SWITCH HOUSING - WHITE 385311751 SERVICE SWITCH HOUSING - BONE
4	385311730 4700 BOWL KIT - WHITE 385311731 4700 BOWL KIT - BONE
5	385311703 FLUSH HANDLE SWITCH w/WIRING
6	385311704 FLUSH HANDLE ASSEMBLY **INCLUDES ITEM 5.
7	385310962 FLUSH HANDLE KIT - CHROME 385310963 FLUSH HANDLE KIT - GOLD 385311141 FLUSH HANDLE KIT - NICKLE
8	385310807 VACUUM BREAKER KIT **INCLUDES ITEMS 9 & 10.
9	385311869 CORRUGATED SUPPLY HOSE
10	385311164 1/2" SEALING GROMMET
11	385311022 BOWL MOUNTING HARDWARE
12	385311545 WATER VALVE KIT - 12VDC 385311546 WATER VALVE KIT - 24VDC
13	385311547 WATER SUPPLY HOSE
14	385311009 FLUSH BALL SEAL REP'L KIT **INCLUDES ITEMS 17.
15	385311292 BASE FLUSH BALL RING KIT
16	385310969 FLUSH BALL/SHAFT REP'L KIT
17	385311011 BASE TO BOWL MOUNTING HARDWARE
18	385311294 BASE O'RING REP'L KIT
19	385311056 ABOVE FLOOR DISCHARGE ADAPT KIT
20	385311690 CONTROL MODULE
21	385311394 FLUSH MECHANISM w/MTG BRACKET **INCLUDES ITEMS 22, 23, 24, 25, 26.
22	385311673 FLUSH ACTUATION SWITCH
23	385311296 FLUSH BALL CAM REP'L KIT
24	385311393 FLUSH MECHANISM RETURN SPRING
25	385311392 FLUSH MECHANISM LINKAGE
26	385311429 FLUSH LINKAGE GUIDE BRACKET
27	385311299 MOTOR DRIVE ARM REP'L KIT

28	385311300 MOTOR REP'L KIT - 12VDC 385311390 MOTOR REP'L KIT - 24VDC **INCLUDES ITEM 27.
29	385311754 4748 PLUG-IN BASE KIT - 12VDC 385311755 4748 PLUG-IN BASE KIT - 24VDC **INCLUDES ITEMS 8, 9, 12-18 & 20-28.
30	313535004 DOMETIC STATUS VF - BLK - 12V 313535005 DOMETIC STATUS VF - BLK - 24V

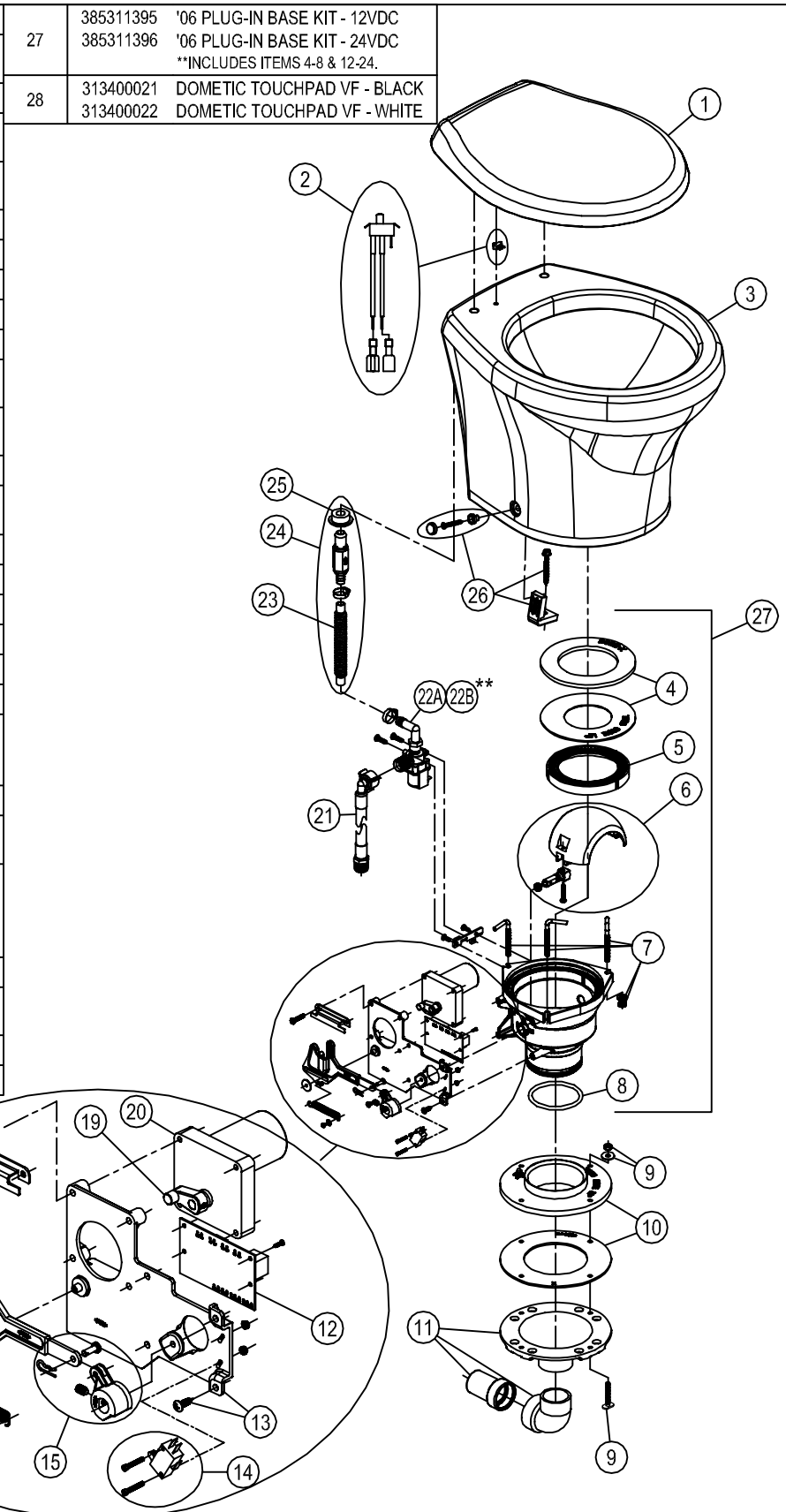


30

Domestic Corporation -  
Sanitation Systems  
13128 State Rt. 226, P.O. Box 38  
Big Prairie, OH 44611-0038 USA  
Telephone: 330-496-3211  
Fax: 330-496-3097  
Email: sealand@domesticusa.com

# PARTS LIST: 4806 MODEL SERIES

ITEM	PART NUMBER & DESCRIPTION
1	385311618 SEAT/COVER SLOW-CLOSE - WHITE 385311619 SEAT/COVER SLOW-CLOSE - BONE
2	385311691 SERVICE SWITCH REPLACEMENT
3	385311378 4800 SHORT BOWL KIT - WHITE 385311379 4800 SHORT BOWL KIT - BONE
4	385311009 FLUSH BALL SEAL REP'L KIT **INCLUDES ITEMS 7.
5	385311292 BASE FLUSH BALL RING KIT
6	385310969 FLUSH BALL/SHAFT REP'L KIT
7	385311011 BASE TO BOWL MOUNTING HARDWARE
8	385311294 BASE O'RING REP'L KIT
9	385310064 FLOOR FLANGE MOUNTING HARDWARE
10	385311013 FLOOR FLANGE ADAPTER KIT **INCLUDES ITEMS 9.
11	385318864 VF FUNNEL KIT **INCLUDES ITEMS 9.
12	385311690 CONTROL MODULE
13	385311394 FLUSH MECHANISM w/MTG BRACKET **INCLUDES ITEMS 14, 15, 16, 17, 18.
14	385311673 FLUSH ACTUATION SWITCH
15	385311296 FLUSH BALL CAM REP'L KIT
16	385311393 FLUSH MECHANISM RETURN SPRING
17	385311392 FLUSH MECHANISM LINKAGE
18	385311429 FLUSH LINKAGE GUIDE BRACKET
19	385311299 MOTOR DRIVE ARM REP'L KIT
20	385311300 MOTOR REPLACEMENT KIT - 12VDC 385311390 MOTOR REPLACEMENT KIT - 24VDC **INCLUDES ITEM 19.
21	385311547 WATER SUPPLY HOSE
22A	385311545 WATER VALVE KIT - 12VDC 385311546 WATER VALVE KIT - 24VDC
22B**	385311709 RETROFIT WATER VALVE KIT - 12VDC 385311710 RETROFIT WATER VALVE KIT - 24VDC **INCLUDES MOUNTING BRACKET. **FOR 2009 & OLDER MODEL TOILETS.
23	385311869 CORRUGATED SUPPLY HOSE
24	385311384 CHECK VALVE w/HOSE **INCLUDES ITEM 23 & 25.
25	385311164 1/2" SEALING GROMMET
26	385311463 BOWL MOUNTING HARDWARE KIT

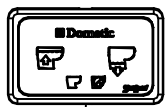
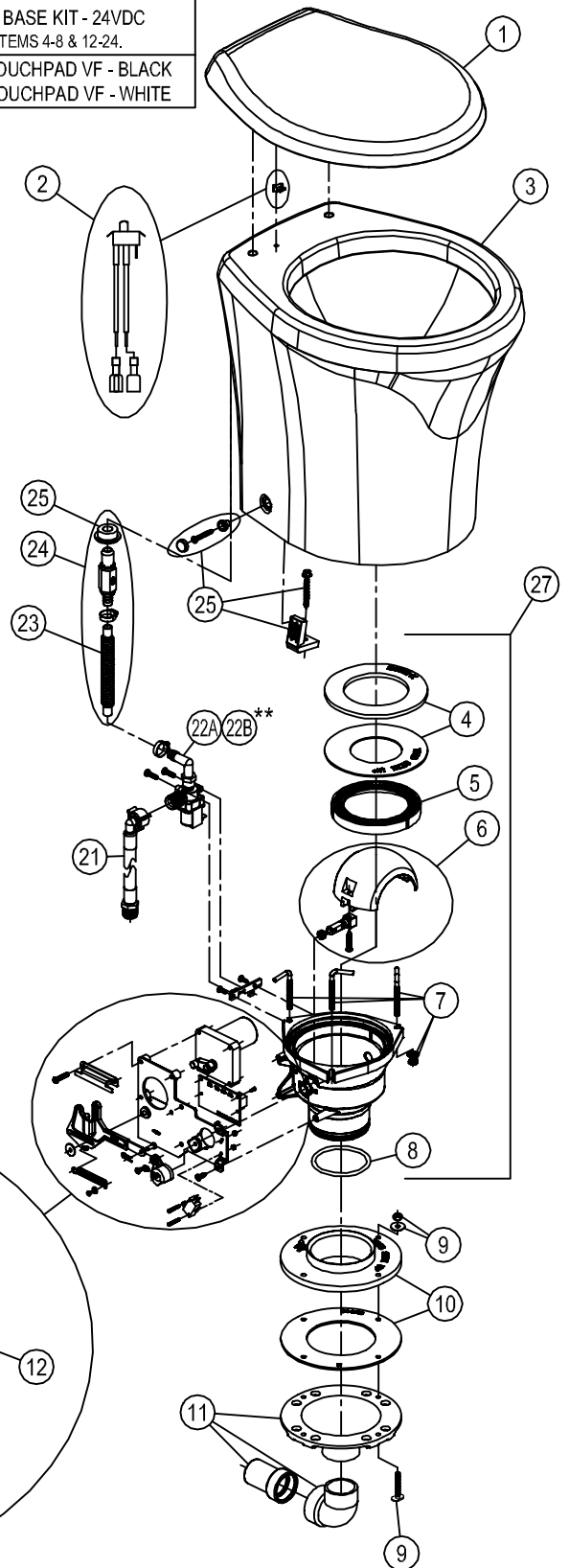


28

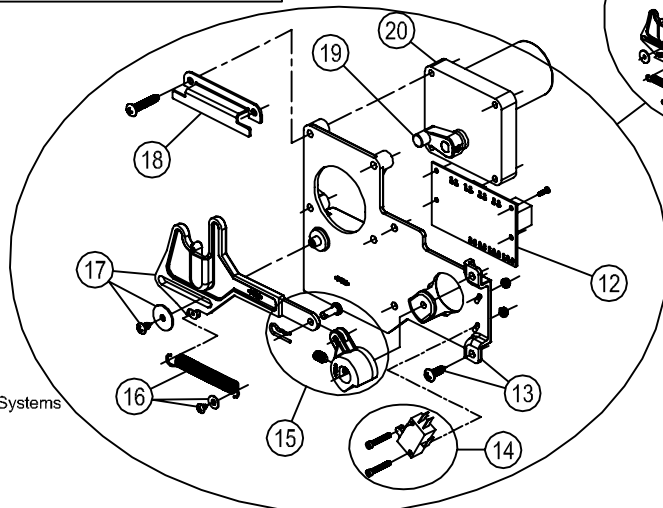
Dometic Corporation - Sanitation Systems  
13128 State Rt. 226, P.O. Box 38  
Big Prairie, OH 44611-0038 USA  
Telephone: 330-496-3211  
Fax: 330-496-3097  
Email: sealand@dometicus.com

# PARTS LIST: 4809 MODEL SERIES

ITEM	PART NUMBER & DESCRIPTION			
		26	385311463	BOWL MOUNTING HARDWARE KIT
1	385311618 SEAT/COVER SLOW-CLOSE - WHITE 385311619 SEAT/COVER SLOW-CLOSE - BONE	27	385311397 '09 PLUG-IN BASE KIT - 12VDC 385311398 '09 PLUG-IN BASE KIT - 24VDC **INCLUDES ITEMS 4-8 & 12-24.	
2	385311691 SERVICE SWITCH REPLACEMENT	28	313400021 DOMETIC TOUCHPAD VF - BLACK 313400022 DOMETIC TOUCHPAD VF - WHITE	
3	385311380 4800 TALL BOWL KIT - WHITE 385311381 4800 TALL BOWL KIT - BONE			
4	385311009 FLUSH BALL SEAL REPL KIT **INCLUDES ITEMS 7.			
5	385311292 BASE FLUSH BALL RING KIT			
6	385310969 FLUSH BALL/SHAFT REPL KIT			
7	385311011 BASE TO BOWL MOUNTING HARDWARE			
8	385311294 BASE O'RING REPL KIT			
9	385310064 FLOOR FLANGE MOUNTING HARDWARE			
10	385311013 FLOOR FLANGE ADAPTER KIT **INCLUDES ITEMS 9.			
11	385318864 VF FUNNEL KIT **INCLUDES ITEMS 9.			
12	385311690 CONTROL MODULE			
13	385311394 FLUSH MECHANISM w/MTG BRACKET **INCLUDES ITEMS 14, 15, 16, 17, 18.			
14	385311673 FLUSH ACTUATION SWITCH			
15	385311296 FLUSH BALL CAM REPL KIT			
16	385311393 FLUSH MECHANISM RETURN SPRING			
17	385311392 FLUSH MECHANISM LINKAGE			
18	385311429 FLUSH LINKAGE GUIDE BRACKET			
19	385311299 MOTOR DRIVE ARM REPL KIT			
20	385311300 MOTOR REPLACEMENT KIT - 12VDC 385311390 MOTOR REPLACEMENT KIT - 24VDC **INCLUDES ITEM 19.			
21	385311547 WATER SUPPLY HOSE			
22A	385311545 WATER VALVE KIT - 12VDC 385311546 WATER VALVE KIT - 24VDC			
22B**	385311709 RETROFIT WATER VALVE KIT - 12VDC 385311710 RETROFIT WATER VALVE KIT - 24VDC **INCLUDES MOUNTING BRACKET. **FOR 2009 & OLDER MODEL TOILETS.			
23	385311869 CORRUGATED SUPPLY HOSE			
24	385311384 CHECK VALVE w/HOSE **INCLUDES ITEM 23 & 25.			
25	385311164 1/2" SEALING GROMMET			



28



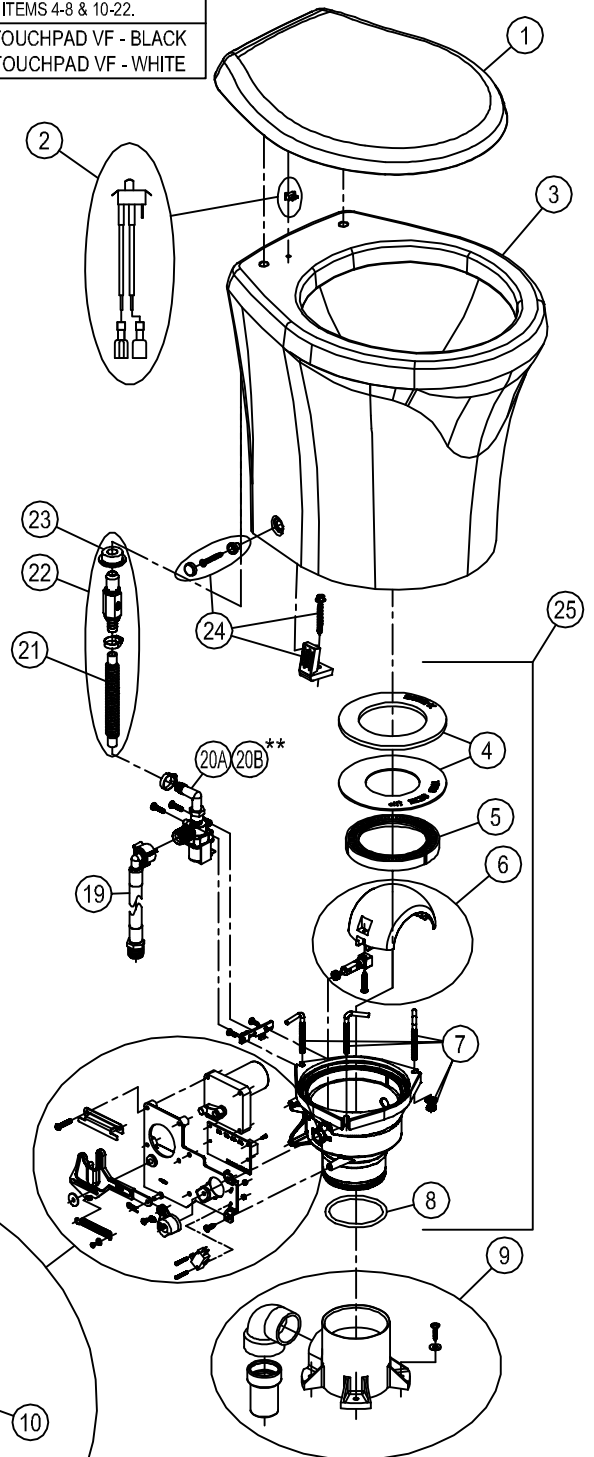
Dometic Corporation - Sanitation Systems  
13128 State Rt. 226, P.O. Box 38  
Big Prairie, OH 44611-0038 USA  
Telephone: 330-496-3211  
Fax: 330-496-3097  
Email: sealand@dometicus.com



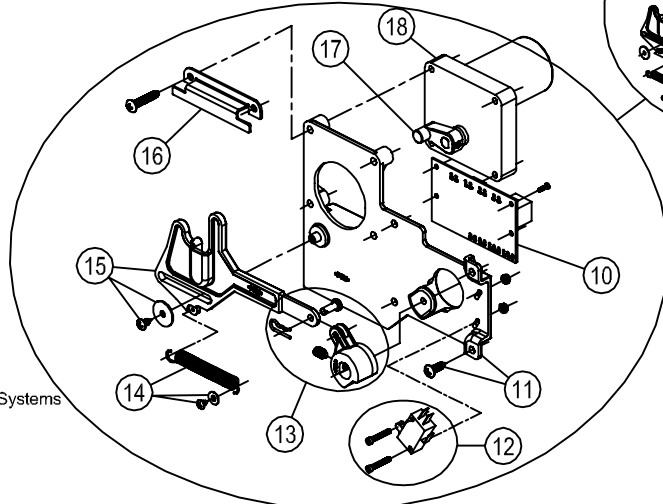
# PARTS LIST: 4848 MODEL SERIES

ITEM	PART NUMBER & DESCRIPTION
1	385311618 SEAT/COVER SLOW-CLOSE - WHITE 385311619 SEAT/COVER SLOW-CLOSE - BONE
2	385311691 SERVICE SWITCH REPLACEMENT
3	385311380 4800 TALL BOWL KIT - WHITE 385311381 4800 TALL BOWL KIT - BONE
4	385311009 FLUSH BALL SEAL REPL KIT **INCLUDES ITEMS 7.
5	385311292 BASE FLUSH BALL RING KIT
6	385310969 FLUSH BALL/SHAFT REPL KIT
7	385311011 BASE TO BOWL MOUNTING HARDWARE
8	385311294 BASE O'RING REPL KIT
9	385311056 ABOVE FLOOR DISCHARGE ADAPT KIT
10	385311690 CONTROL MODULE
11	385311394 FLUSH MECHANISM w/MTG BRACKET **INCLUDES ITEMS 12, 13, 14, 15, 16.
12	385311673 FLUSH ACTUATION SWITCH
13	385311296 FLUSH BALL CAM REPL KIT
14	385311393 FLUSH MECHANISM RETURN SPRING
15	385311392 FLUSH MECHANISM LINKAGE
16	385311429 FLUSH LINKAGE GUIDE BRACKET
17	385311299 MOTOR DRIVE ARM REPL KIT
18	385311300 MOTOR REPLACEMENT KIT - 12VDC 385311390 MOTOR REPLACEMENT KIT - 24VDC **INCLUDES ITEM 17.
19	385311547 WATER SUPPLY HOSE
20A	385311545 WATER VALVE KIT - 12VDC 385311546 WATER VALVE KIT - 24VDC
20B**	385311709 RETROFIT WATER VALVE KIT - 12VDC 385311710 RETROFIT WATER VALVE KIT - 24VDC **INCLUDES MOUNTING BRACKET. **FOR 2009 & OLDER MODEL TOILETS.
21	385311869 CORRUGATED SUPPLY HOSE
22	385311384 CHECK VALVE w/HOSE **INCLUDES ITEM 21 & 23.
23	385311164 1/2" SEALING GROMMET
24	385311463 BOWL MOUNTING HARDWARE KIT

25	385311399 '48 PLUG-IN BASE KIT - 12VDC 385311400 '48 PLUG-IN BASE KIT - 24VDC **INCLUDES ITEMS 4-8 & 10-22.
27	313400021 DOMETIC TOUCHPAD VF - BLACK 313400022 DOMETIC TOUCHPAD VF - WHITE

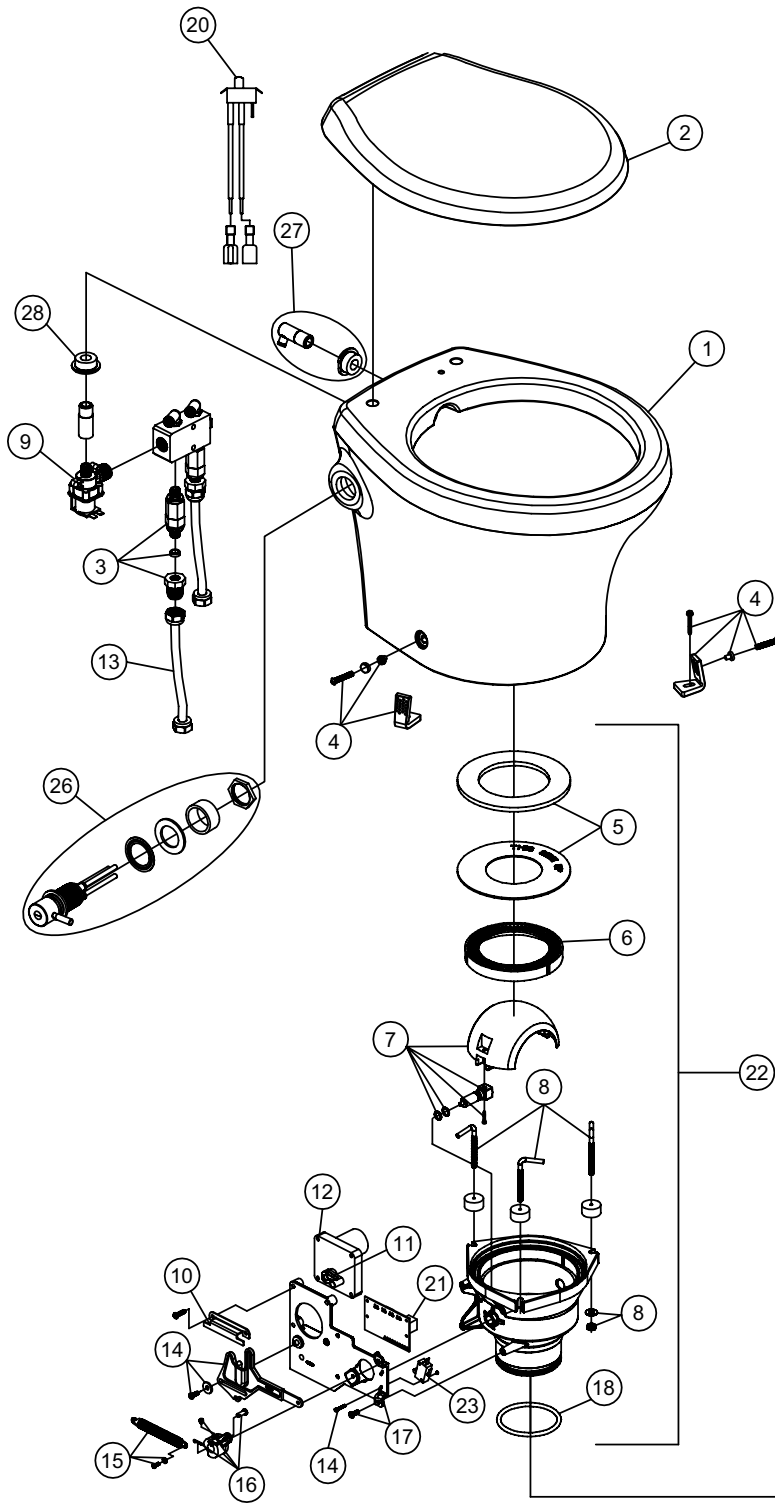


27

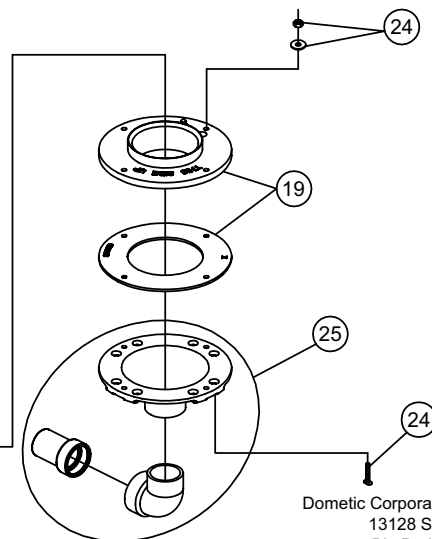


Dometic Corporation - Sanitation Systems  
13128 State Rt. 226, P.O. Box 38  
Big Prairie, OH 44611-0038 USA  
Telephone: 330-496-3211  
Fax: 330-496-3097  
Email: sealand@dometicusa.com

# PARTS LIST: 4826 COMBO BIDET

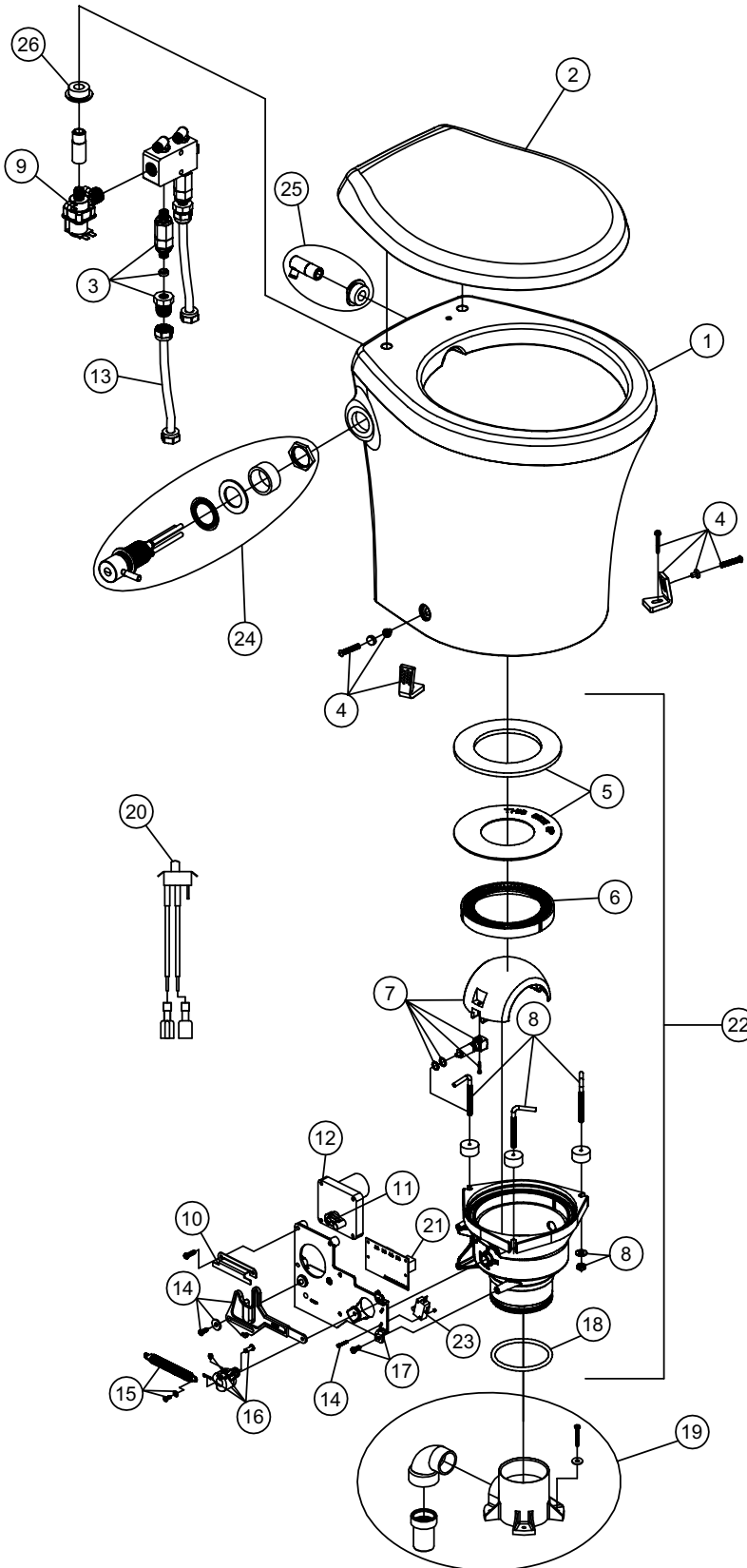


ITEM	PART NUMBER	DESCRIPTION
1	385311746	KIT, BOWL 4800 ST W/BIDET-WHT
	385311747	KIT, BOWL 4800 ST W/BIDET-BONE
2	385311618	KIT, SEAT/CVR SLOW-CLOSE/WHT
	385311383	KIT, SEAT-CV'R 4800-BONE
3	385311727	KIT, BIDET CHECKVALVE
4	385311463	KIT, 4800 CHINA MTG
5	385311009	KIT, SEAL PLUG IN BASE
6	385311292	KIT, BASE RING INSERT
7	385310969	SHAFT/ HALF BALL KIT
8	385311011	L- BOLTS/NUTS /WASH/ PLUG IN BASE
9	385880074	KIT, WATERVALVE 12VDC-MFLUSH
	385880075	KIT, WATERVALVE 24VDC-MFLUSH
10	385311429	KIT, LINKAGE GUIDE BRACKET
11	385311299	KIT, MTR DRIVE ARM 4300/4400
12	385311300	KIT, MOTOR REPL 4800 (INC. ITEM 11) 12VDC
	385311390	KIT, MOTOR REPL 4800 (INC. ITEM 11) 24VDC
13	385311018	KIT, PLUG-IN SUPPLY HOSE
14	385311392	KIT, LINKAGE DRIVE 4800
15	385311393	KIT, FLUSH SPRING 4800
16	385311296	KIT, ROTOR SHAFT CAM 4300/4400
17	385311394	KIT, MTG BRACKET 4800
18	385311294	KIT, O'RING PLUG-IN BASE
19	385311013	KIT, CON'TO FLOOR FLANGE ADPT
20	385311691	KIT, 4800 MODE SWITCH
21	385311690	KIT, CIRUITBD MECHANICAL BASE
THE FOLLOWING BASE KITS CONTAIN ITEMS 5-8,10-12,14-18,21,23		
22	385311740	KIT, BASE 4826 W/BIDET COMP-12
	385311741	KIT, BASE 4826 W/BIDET COMP-24
23	385311003	KIT, CONTO FLUSH SWITCH
24	385310064	KIT, MOUNT-TRAVELER-506/806
25	385318864	KIT, FUNNEL 506/806/706 (INC. 24)
26	385311721	KIT, BIDET FLUSH VALVE
27	385311722	KIT, BIDET NOZZLE
28	385311164	KIT, SEALING GROMMET 1/2"



Dometic Corporation - Sanitation Systems  
13128 State Rt. 226, P.O. Box 38  
Big Prairie, OH 44611-0038 USA  
Telephone: 330-496-3211  
Fax: 330-496-3097  
Email: sealand@dometicusa.com

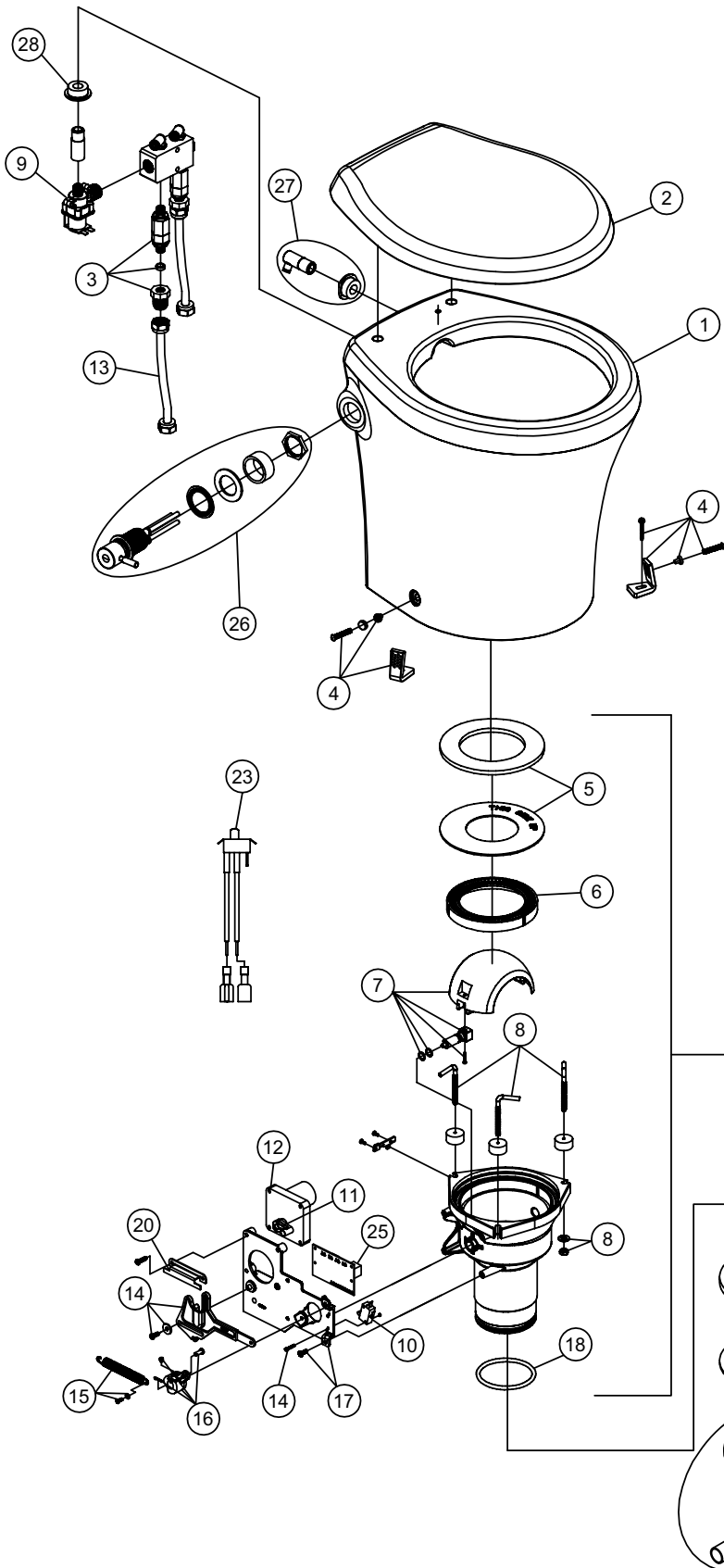
# PARTS LIST: 4828 COMBO BIDET



ITEM	PART NUMBER	DESCRIPTION
1	385311744	KIT, BOWL 4800 TL W/BIDET-WHT
	385311745	KIT, BOWL 4800 TL W/BIDET-BONE
2	385311618	KIT, SEAT/CVR SLOW-CLOSE/WHT
	385311383	KIT, SEAT-CV'R 4800-BONE
3	385311727	KIT, BIDET CHECKVALVE
4	385311463	KIT, 4800 CHINA MTG
5	385311009	KIT, SEAL PLUG IN BASE
6	385311292	KIT, BASE RING INSERT
7	385310969	SHAFT/ HALF BALL KIT
8	385311011	L- BOLTS/NUTS /WASH/ PLUG IN BASE
9	385880074	KIT, WATERVALVE 12VDC-M/FLUSH
	385880075	KIT, WATERVALVE 24VDC-M/FLUSH
10	385311429	KIT, LINKAGE GUIDE BRACKET
11	385311299	KIT, MTR DRIVE ARM 4300/4400
12	385311300	KIT, MOTOR REPL 4800 (INC.11) 12VDC
	385311390	KIT, MOTOR REPL 4800 (INC.11) 24VDC
13	385311018	KIT, PLUG-IN SUPPLY HOSE
14	385311392	KIT, LINKAGE DRIVE 4800
15	3853111393	KIT, FLUSH SPRING 4800
16	385311296	KIT, ROTOR SHAFT CAM 4300/4400
17	385311394	KIT, MTG BRACKET 4800 (INC. 10,14-16, 23)
18	385311294	KIT, O'RING PLUG-IN BASE
19	385311056	KIT, PLUGIN BASE '48 ADAPTER
20	385311691	KIT, 4800 MODE SWITCH
21	385311690	KIT, CIRCUITBD MECHANICAL BASE
THE FOLLOWING BASE KITS CONTAIN ITEMS 5-8,10-12,14-18,21,23		
22	385311742	KIT, BASE 4828 W/BIDET COMP-12
	385311743	KIT, BASE 4828 W/BIDET COMP-24
23	385311003	KIT, CON'TO FLUSH SWITCH
24	385311721	KIT, BIDET FLUSH VALVE
25	385311722	KIT, BIDET NOZZLE
26	385311164	KIT, SEALING GROMMET 1/2"

Dometic Corporation - Sanitation Systems  
13128 State Rt. 226, P.O. Box 38  
Big Prairie, OH 44611-0038 USA  
Telephone: 330-496-3211  
Fax: 330-496-3097  
Email: sealand@dometicusa.com

# PARTS LIST: 4829 COMBO BIDET

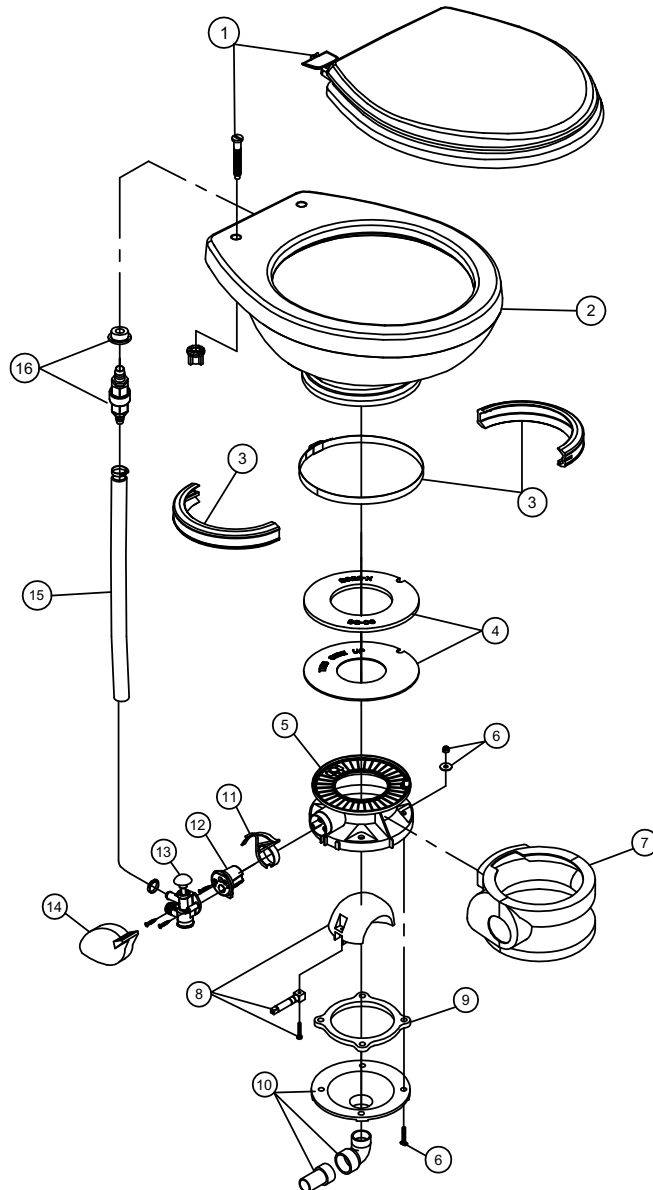


ITEM	PART NUMBER	DESCRIPTION
1	385311744	KIT, BOWL 4800 TL W/BIDET-WHT
	385311745	KIT, BOWL 4800 TL W/BIDET-BONE
2	385311618	KIT, SEAT/CVR SLOW-CLOSE/WHT
	385311383	KIT, SEAT-CV'R 4800-BONE
3	385311727	KIT, BIDET CHECKVALVE
4	385311463	KIT, 4800 CHINA MTG
5	385311009	KIT, SEAL PLUG IN BASE
6	385311292	KIT, BASE RING INSERT
7	385310969	KIT, MO HALFBL/SHAFT AY-WHT
8	385311011	KIT, CON'TO L-BOLT/NUTS/WSHR
9	385880074	KIT, WATERVALVE 12VDC-MFLUSH
	385880075	KIT, WATERVALVE 24VDC-MFLUSH
10	385311673	KIT, FLUSH ACUATION SWITCH
11	385311299	KIT, MTR DRIVE ARM 4300/4400
12	385311300	KIT, MOTOR REPL 4800 (INC. 11) 12VDC
	385311390	KIT, MOTOR REPL 4800 (INC. 11) 24VDC
13	385311018	KIT, PLUG-IN SUPPLY HOSE
14	385311392	KIT, LINKAGE DRIVE 4800
15	385311393	KIT, FLUSH SPRING 4800
16	385311296	KIT, ROTOR SHAFT CAM 4300/4400
17	385311394	KIT, MTG BRACKET 4800 (INC.10,11,14-16,20)
18	385311294	KIT, O'RING PLUG-IN BASE
19	385318864	KIT, FUNNEL 506/806/706 (INC. ITEM 22)
20	385311429	KIT, LINKAGE GUIDE BRACKET
21	385311013	FLOOR FLANGE ADAPTER KIT (INC.22)
22	385310064	KIT, MOUNT-TRAVELER-506/806
23	385311691	KIT, 4800 MODE SWITCH
THE FOLLOWING BASE KITS CONTAIN ITEMS 5-8,10-12,14-18,20,25		
24	385311738	KIT, BASE 4829 W/BIDET COMP-12
	385311739	KIT, BASE 4829 W/BIDET COMP-24
25	385311690	KIT, CIRCUITBD MECHANICAL BASE

Dometic Corporation - Sanitation Systems  
13128 State Rt. 226, P.O. Box 38  
Big Prairie, OH 44611-0038 USA  
Telephone: 330-496-3211  
Fax: 330-496-3097  
Email: sealand@dometicusa.com

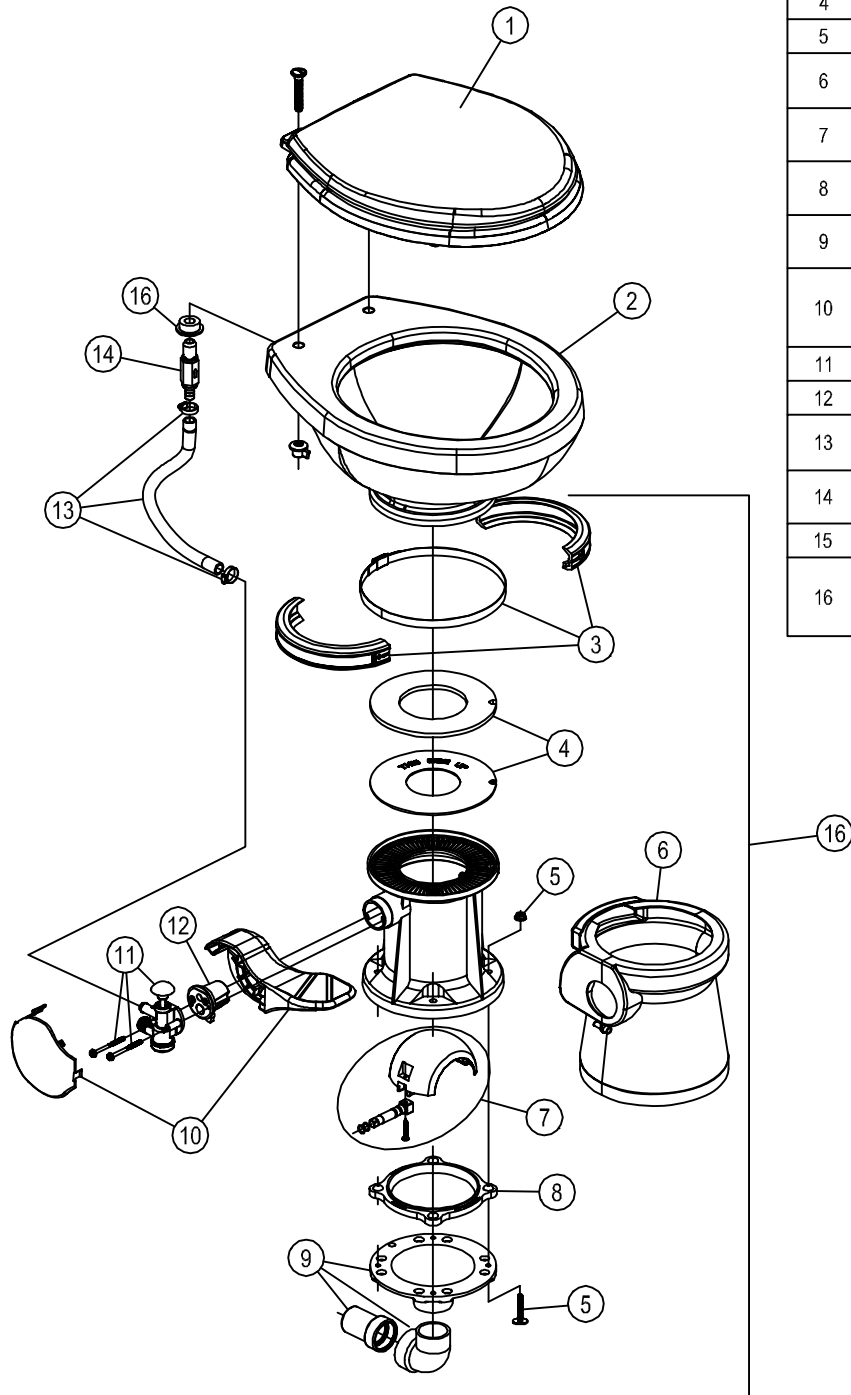
## PARTS LIST: VACUFLUSH 5006

ITEM	PART NO.	DESCRIPTION	ITEM	PART NO.	DESCRIPTION
1	385343829	SEAT & LID ASSEMBLY, WHITE	8	385318162	BALL/SHAFT/CARTRIDGE KIT (inc. item 12)
	385343831	SEAT & LID ASSEMBLY, BONE	9	385310063	FLOOR FLANGE SEAL KIT (inc.item 6)
2	385311079	CHINA BOWL, WHITE	10	385318864	FUNNEL KIT (inc.item 6 & 9)
	385311080	CHINA BOWL, BONE	11	385310579	FLUSH PEDAL KIT- (inc.item 12)
3	385310048	HALF CLAMP KIT, BONE	12	385236096	SPRING CARTRIDGE KIT
4	385311462	KIT, SEAL KIT-VACUFLUSH	13	385314349	WATER VALVE KIT
5	385310132	BASE KIT, WHITE (inc. items 3 -14)	14	385310117	PEDAL COVER, WHITE
	385310133	BASE KIT, BONE (inc. items 3 -14)		385310118	PEDAL COVER, BONE
6	385310064	MOUNTING KIT	15	385345377	SUPPLY HOSE, WHITE
7	385310108	PEDESTAL COVER KIT, WHITE		385340177	SUPPLY HOSE, BONE
	385310109	PEDESTAL COVER KIT, BONE	16	385311456	KIT, CHECK VALVE



**Dometic** *Sealand*  
Dometic Corporation - Sanitation Systems  
13128 State Rt. 226, P.O. Box 38  
Big Prairie, OH 44611-0038 USA  
Telephone: 330-496-3211  
Fax: 330-496-3097  
Email: sealand@dometicus.com

# PARTS LIST: VACUFLUSH 5009 SERIES

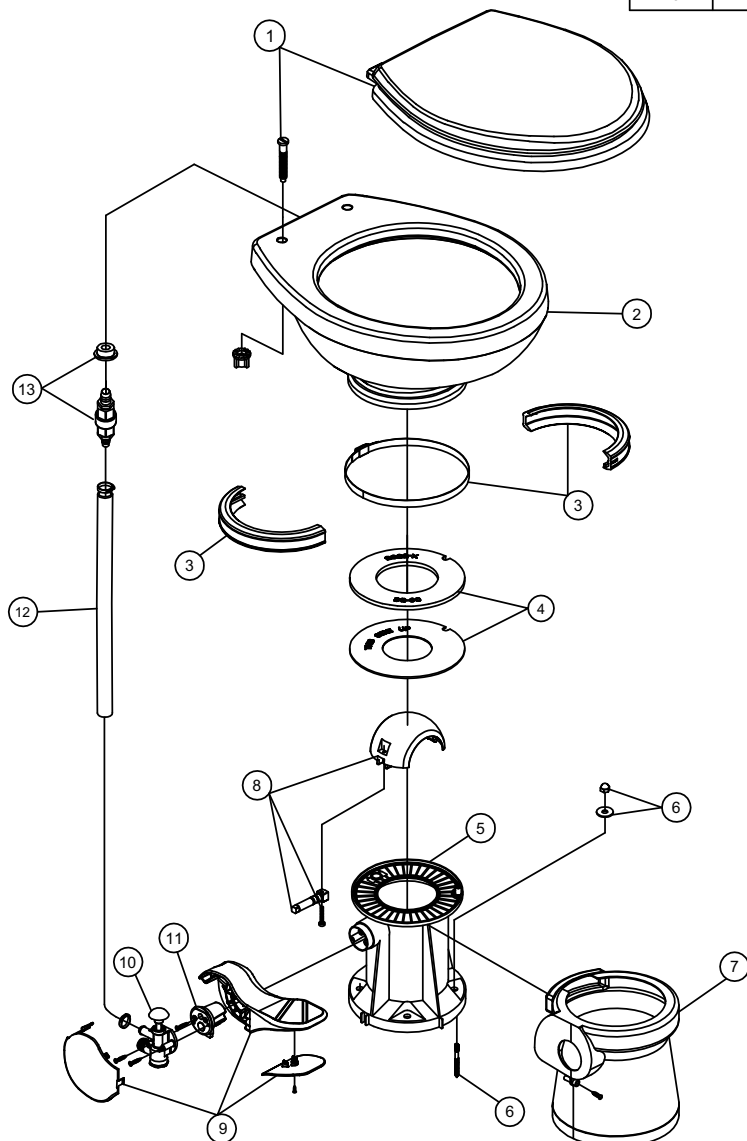


ITEM	PART NUMBER & DESCRIPTION
1	385343829 SEAT/COVER - WHITE
	385343831 SEAT/COVER - BONE
2	385311079 CHINA BOWL KIT - WHITE
	385311080 CHINA BOWL KIT - BONE
3	385310048 BOWL/BASE CLAMP KIT
4	385311462 FLUSH BALL SEAL REP'L KIT
5	385310064 MOUNTING HARDWARE
6	385310111 PEDESTAL COVER - WHITE
	385310112 PEDESTAL COVER - BONE
7	385310954 FLUSH BALL, SHAFT, CARTRIDGE KIT **INCLUDES ITEM 12.
8	385310063 FLOOR FLANGE SEAL **INCLUDES ITEM 5
9	385318864 FUNNEL KIT ('06/'09 MODELS) **INCLUDES ITEM 5 & 8
10	385310682 PEDAL/CARTRIDGE KIT - WHITE
	385310762 PEDAL/CARTRIDGE KIT - BONE **INCLUDES ITEM 12
11	385314349 WATER VALVE KIT
12	385310683 SPRING CARTRIDGE KIT
13	385345377 BOWL WATER SUPPLY HOSE - WHITE
	385340177 BOWL WATER SUPPLY HOSE - BONE
14	385311456 CHECK VALVE KIT **INCLUDES ITEM 15
15	385311164 1/2" SEALING GROMMET
16	385311081 '09 BASE KIT PLASTIC PEDAL - WHITE
	385310978 '09 BASE KIT PLASTIC PEDAL - BONE **INCLUDES ITEMS 3-12

Dometic Corporation - Sanitation Systems  
13128 State Rt. 226, P.O. Box 38  
Big Prairie, OH 44611-0038 USA  
Telephone: 330-496-3211  
Fax: 330-496-3097  
Email: sealand@dometicusa.com

## PARTS LIST: VACUFLUSH 5047-5048-5049

ITEM	PART NO.	DESCRIPTION	ITEM	PART NO.	DESCRIPTION
1	385343829	SEAT & LID ASSEMBLY, WHITE	7	385310674	5047 PEDESTAL COVER KIT, WHITE
	385343831	SEAT & LID ASSEMBLY, BONE		385310613	5047 PEDESTAL COVER KIT, BONE
2	385311079	CHINA BOWL, WHITE		385310136	5048 PEDESTAL COVER KIT, WHITE
	385311080	CHINA BOWL, BONE		385310137	5048 PEDESTAL COVER KIT, BONE
3	385310048	HALF CLAMP KIT, BONE		385310904	5049 PEDESTAL COVER KIT, WHITE
4	385311462	KIT, SEAL KIT-VACUFLUSH		385310913	5049 PEDESTAL COVER KIT, BONE
5	385311084	5047 BASE KIT, WHITE (INC. 3-11)		8	385310954
	385311085	5047 BASE KIT, BONE (INC. 3-11)	9	385310682	FLUSH PEDAL KIT-WHITE (INC. 11)
	385310910	5048 BASE KIT, WHITE (INC. 3-11)		385310762	FLUSH PEDAL KIT-BONE (INC. 11)
	385311086	5048 BASE KIT, BONE (INC. 3-11)	10	385314349	WATER VALVE KIT
	385310903	5049 BASE KIT, WHITE (INC. 3-11)	11	385310683	SPRING CARTRIDGE KIT
385311087	5049 BASE KIT, BONE (INC. 3-11)	12	385345377	SUPPLY HOSE, WHITE	
6	385316323		MOUNTING KIT	385340177	SUPPLY HOSE, BONE
			13	385311456	INLINE CHECK VALVE, KIT

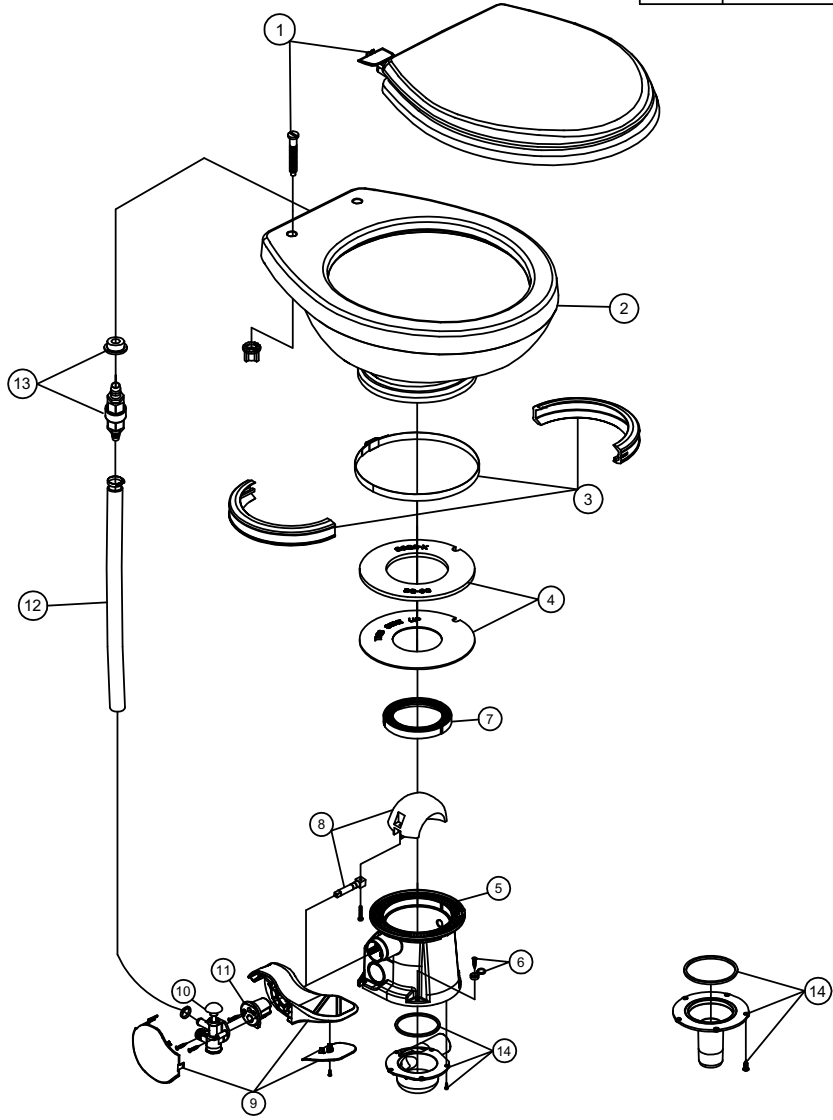


TOILET MODEL	DISCHARGE LOCATION
5047	OPPOSITE PEDAL
5048	REAR OF TOILET
5049	UNDER PEDAL

**Dometic** *Sanitair*  
Dometic Corporation - Sanitation Systems  
13128 State Rt. 226, P.O. Box 38  
Big Prairie, OH 44611-0038 USA  
Telephone: 330-496-3211  
Fax: 330-496-3097  
Email: sealand@dometicus.com

# PARTS LIST: VACUFLUSH 5146 - 5147- 5148 - 5149

ITEM	PART NO.	DESCRIPTION	ITEM	PART NO.	DESCRIPTION
1	385343829	SEAT & LID ASSEMBLY, WHITE	6	385310679	KIT, MOUNTING-ECOVCAC - WHITE
	385343831	SEAT & LID ASSEMBLY, BONE		385310785	KIT, MOUNTING-ECOVCAC - BONE
2	385311079	CHINA BOWL, WHITE	7	385311292	KIT, BASE RING INSERT
	385311080	CHINA BOWL, BONE	8	385310954	KIT, BALL/BRASS SHAFT/P CART (INC. 11)
3	385310048	HALF CLAMP KIT, BONE	9	385310682	FLUSH PEDAL KIT-WHITE (INC. 11)
	385310025	HALF CLAMP KIT, WHITE		385310762	FLUSH PEDAL KIT-BONE (INC. 11)
4	385311462	KIT, SEAL KIT-VACUFLUSH	10	385314349	WATER VALVE KIT
5	385310685	KIT, ECOVAC RH DISC BASE-W (INC. 3-11 & 14)	11	385310683	SPRING CARTRIDGE KIT
	385310783	KIT, EVAC RH DISH BASE/B (INC. 3-11 & 14)	12	385345377	SUPPLY HOSE, WHITE
	385310686	KIT, EVAC REAR DISC BASE-W (INC. 3-11 & 14)		385340177	SUPPLY HOSE, BONE
	385310784	KIT, ECO RER DISH BASE/BON (INC. 3-11 & 14)	13	385311456	INLINE CHECK VALVE, KIT
	385310975	KIT, BASE LH WHITE-ECOVCAC (INC. 3-11 & 14)	14	385311713	KIT, DISCHARGE 146-ECOVCAC
385310976	KIT, BASE LH BONE-ECOVCAC (INC. 3-11 & 14)	385310680		DISCHARGE CUP 47 - 48, KIT	
				385310936	DISCHARGE CUP 49, KIT



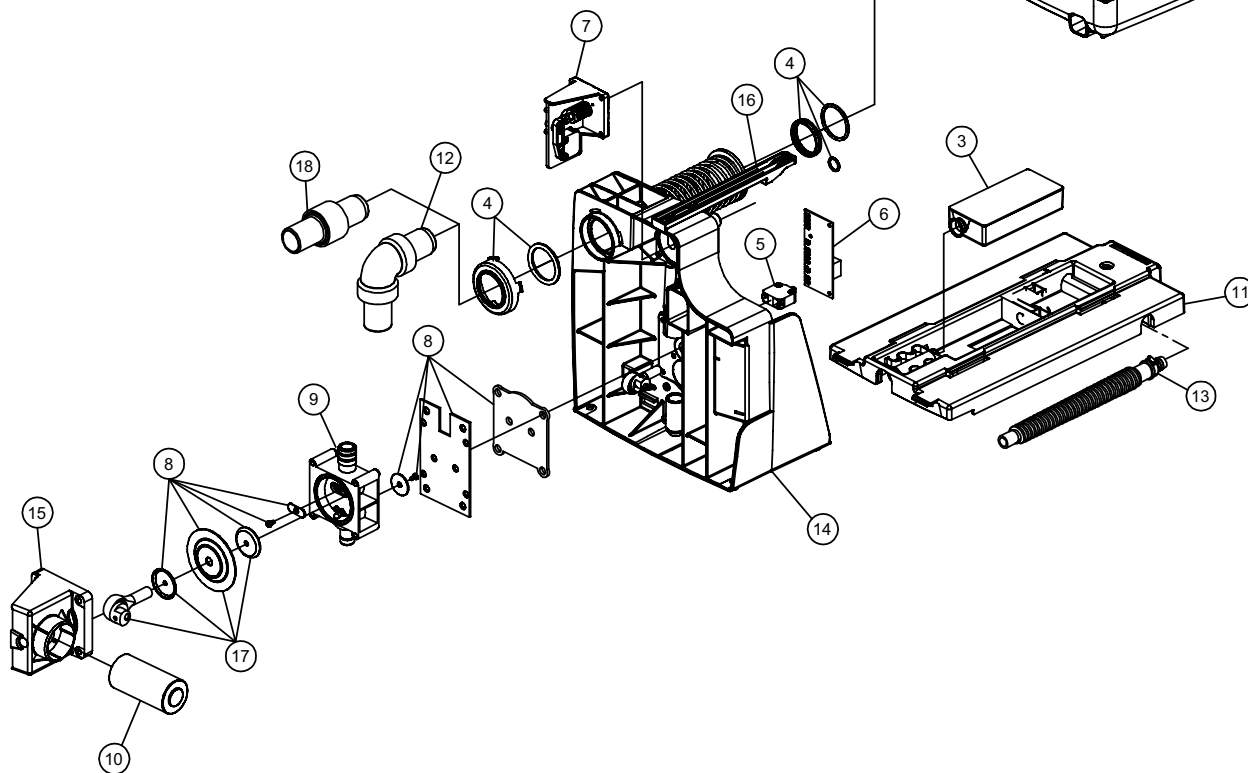
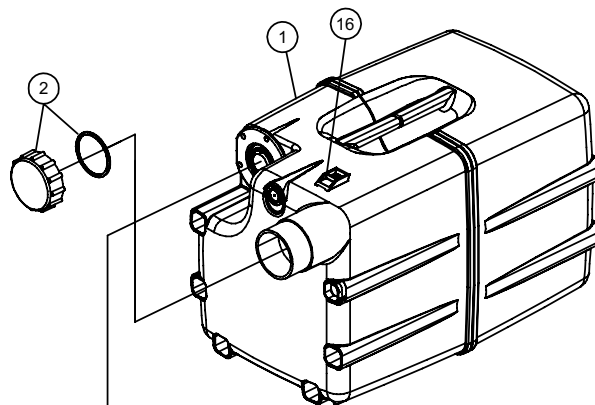
TOILET MODEL	DISCHARGE LOCATION
5146	THRU THE FLOOR
5147	OPPOSITE PEDAL
5148	REAR OF TOILET
5149	UNDER PEDAL

**Dometic** sealand  
Dometic Corporation - Sanitation Systems  
13128 State Rt. 226, P.O. Box 38  
Big Prairie, OH 44611-0038 USA  
Telephone: 330-496-3211  
Fax: 330-496-3097  
Email: sealand@dometicusa.com



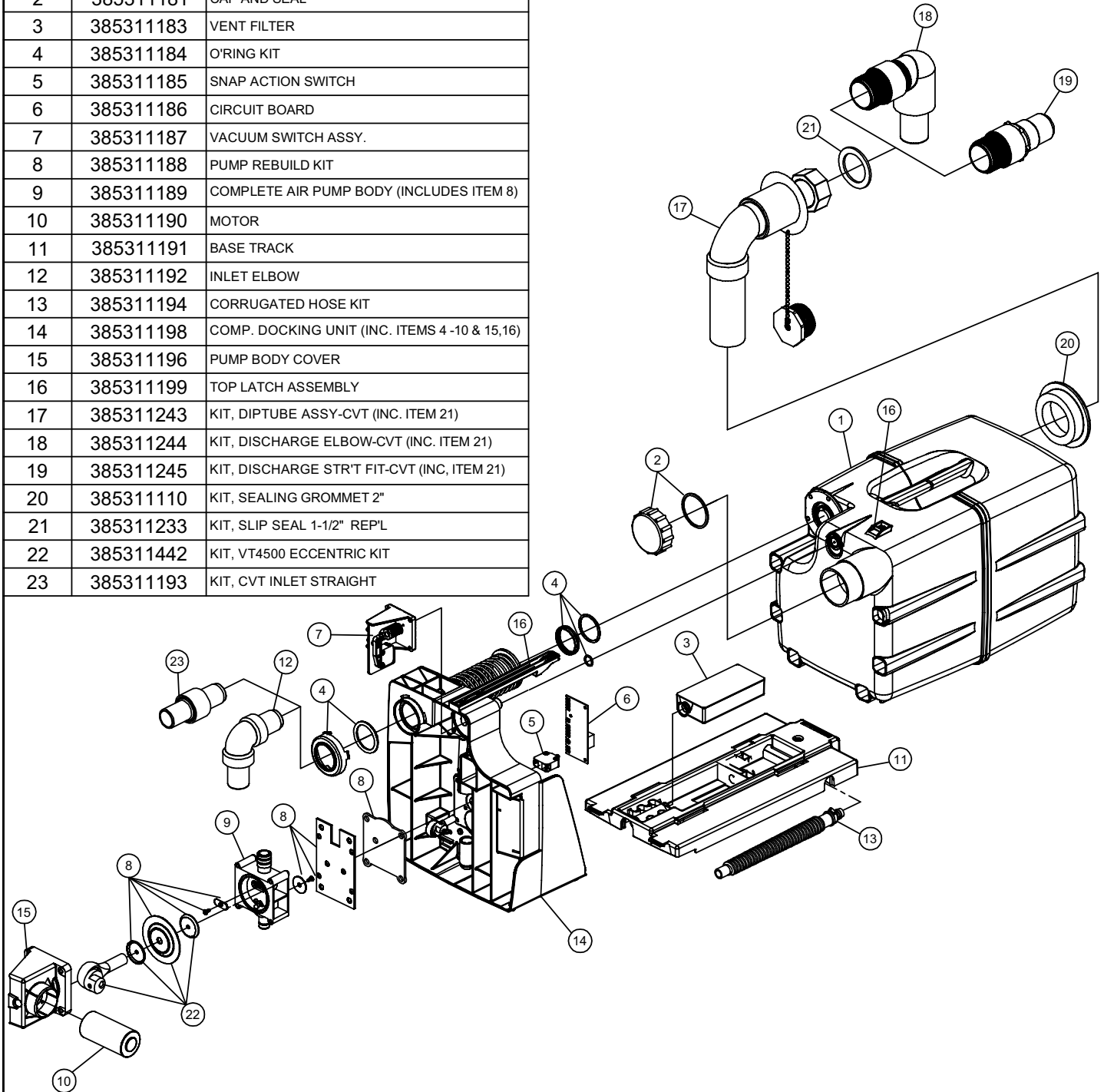
## PARTS LIST: CVT MARINE 326002510

ITEM	PART NO.	DESCRIPTION
1	385311326	HOLDING TANK ( INC. ITEM 2 & 16)
2	385311181	CAP AND SEAL
3	385311183	VENT FILTER
4	385311184	O'RING KIT
5	385311185	SNAP ACTION SWITCH
6	385311186	CIRCUIT BOARD
7	385311187	VACUUM SWITCH ASSY.
8	385311188	PUMP REBUILD KIT
9	385311189	COMPLETE AIR PUMP BODY (INC. ITEM 8)
10	385311190	MOTOR
11	385311191	BASE TRACK
12	385311192	INLET ELBOW
13	385311194	CORRUGATED HOSE KIT
14	385311198	COMP. DOCKING UNIT (INC. ITEMS 4 -10 & 15-16)
15	385311196	PUMP BODY COVER
16	385311199	TOP LATCH ASSEMBLY
17	385311442	KIT, VT4500 ECCENTRIC KIT
18	385311193	KIT, CVT INLET STRAIGHT



## PARTS LIST: CVT MARINE 326002520 & 326002521

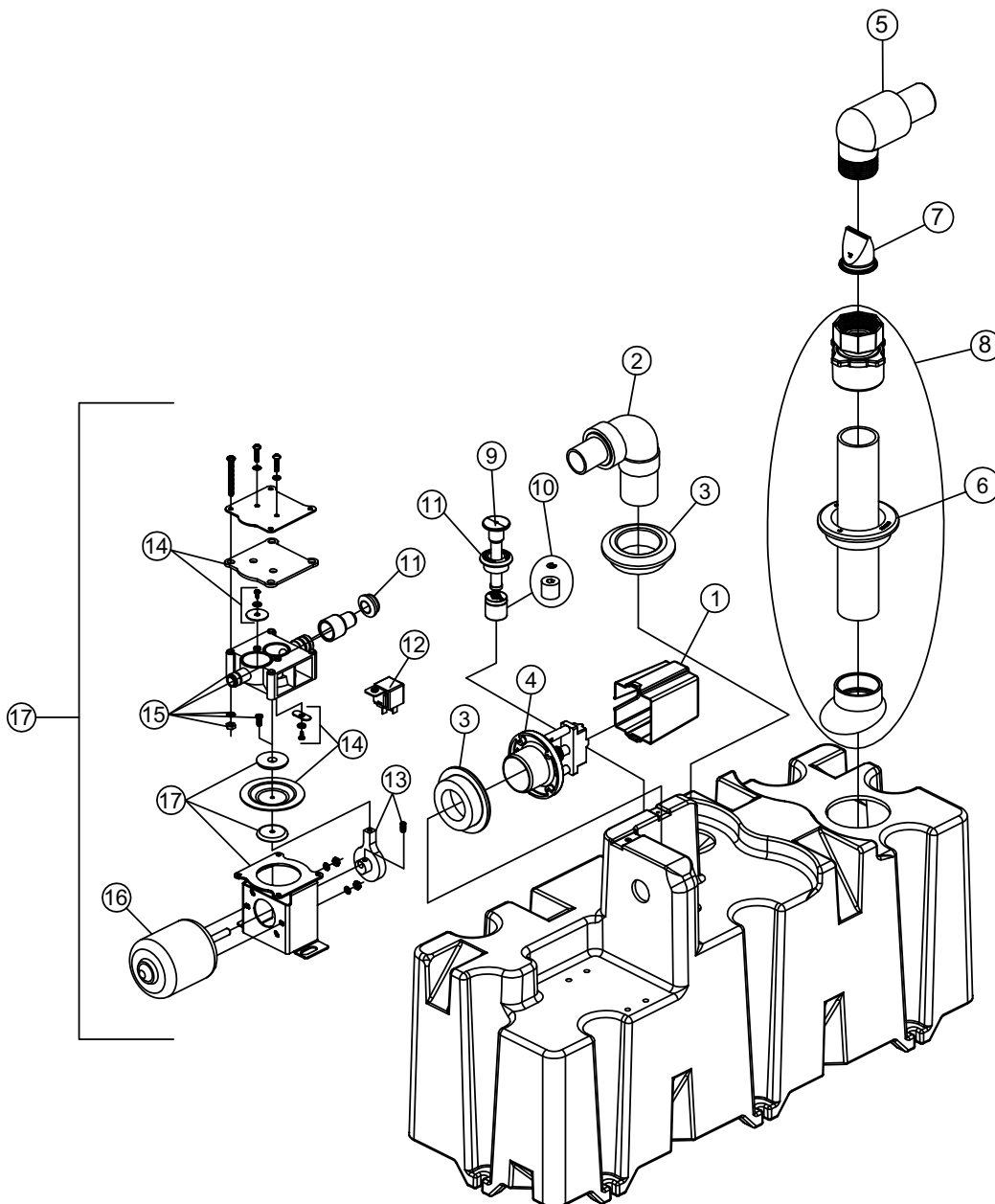
ITEM	PART NO.	DESCRIPTION
1	385311182	HOLDING TANK ( INCLUDES ITEM 2 ,16,17,20,21)
2	385311181	CAP AND SEAL
3	385311183	VENT FILTER
4	385311184	O'RING KIT
5	385311185	SNAP ACTION SWITCH
6	385311186	CIRCUIT BOARD
7	385311187	VACUUM SWITCH ASSY.
8	385311188	PUMP REBUILD KIT
9	385311189	COMPLETE AIR PUMP BODY (INCLUDES ITEM 8)
10	385311190	MOTOR
11	385311191	BASE TRACK
12	385311192	INLET ELBOW
13	385311194	CORRUGATED HOSE KIT
14	385311198	COMP. DOCKING UNIT (INC. ITEMS 4 -10 & 15,16)
15	385311196	PUMP BODY COVER
16	385311199	TOP LATCH ASSEMBLY
17	385311243	KIT, DIPTUBE ASSY-CVT (INC. ITEM 21)
18	385311244	KIT, DISCHARGE ELBOW-CVT (INC. ITEM 21)
19	385311245	KIT, DISCHARGE STR'T FIT-CVT (INC. ITEM 21)
20	385311110	KIT, SEALING GROMMET 2"
21	385311233	KIT, SLIP SEAL 1-1/2" REPL
22	385311442	KIT, VT4500 ECCENTRIC KIT
23	385311193	KIT, CVT INLET STRAIGHT



**Dometic** *Sanitrol*  
Dometic Corporation - Sanitation Systems  
13128 State Rt. 226, P.O. Box 38  
Big Prairie, OH 44611-0038 USA  
Telephone: 330-496-3211  
Fax: 330-496-3097  
Email: sealand@dometicsusa.com

## PARTS LIST: VACUUM HOLDING TANK MODEL - 317769012

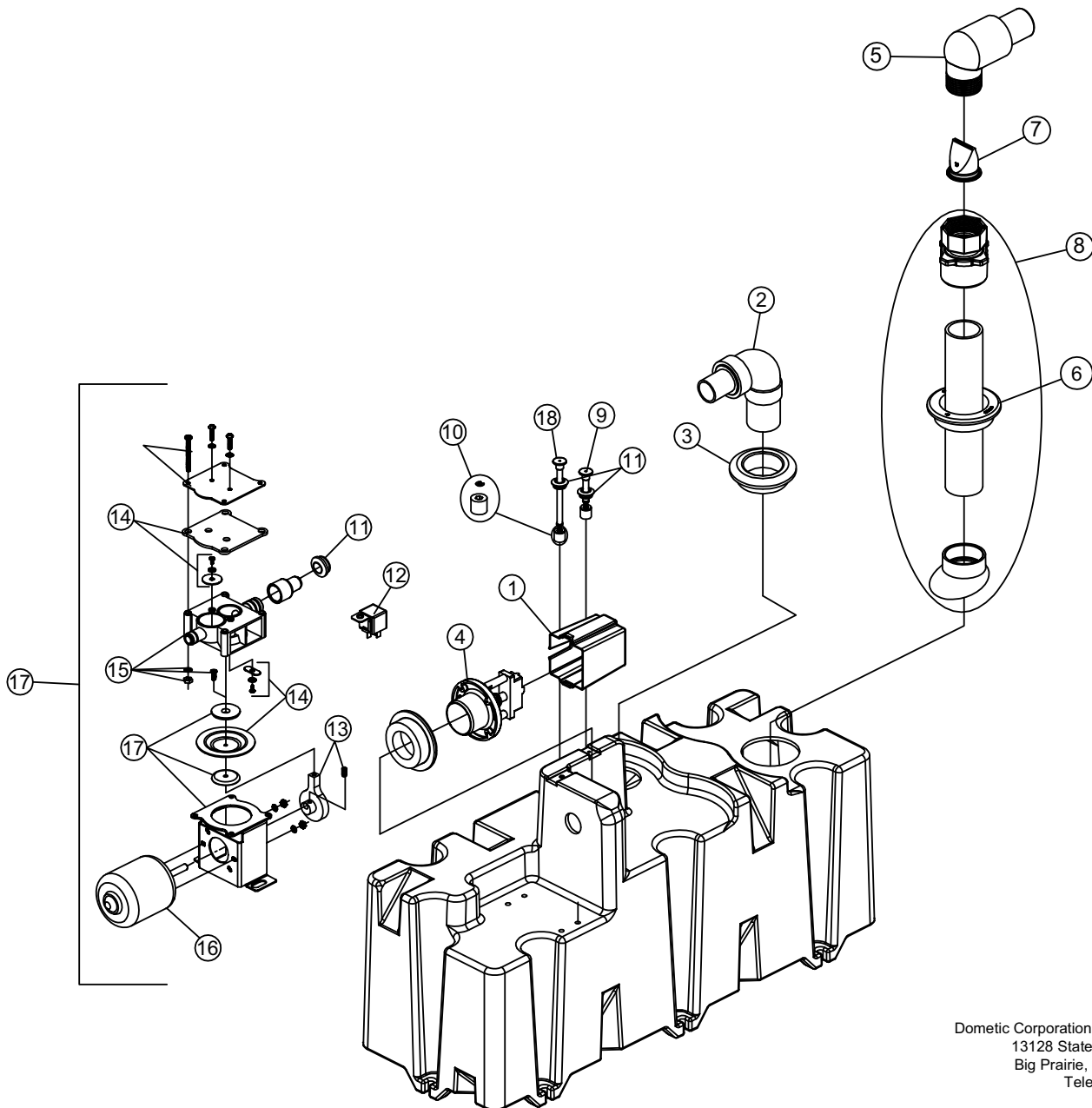
ITEM	PART NO.		ITEM	PART NO.	DESCRIPTION
1	385311420	KIT, SNAP-ON VAC SW'CH CVR-BLK	10	385311103	KIT, SWITCH FLOAT & LOCK RING
2	385310635	INLET ELBOW KIT (INCLUDES ITEM 3)	11	385311164	KIT, SEALING GROMMET 1/2"
3	385311111	1-1/2" SEALING GROMMET	12	385311774	KIT, RELAY SPDT 12V VF4
4	385311436	KIT, VACUUM SWITCH (INC 3)	13	385310631	KIT, CONNECTING ROD-AIR PUMP
5	385311069	KIT, THR'D ELBOW W/HOSE ADAPT	14	385311040	KIT, VHT AP VALVE REP'L
6	385311110	KIT, 2" SEALING GROMMET	15	385311440	KIT, VT4500 AIRPUMP ASSY (INC. 14)
7	385310076	KIT, DUCKBILL VALVE	16	385310664	KIT, MOTOR-VHT
8	385311421	KIT, DIPTUBE W/SWIVEL NUT (INC 6)	17	385310642	KIT, VHT AIR PUMP-COMP (INC 13,14,15,16)
9	385310629	KIT, FULL INDICATOR-VHT (INC 11)			



Dometic Corporation - Sanitation Systems  
13128 State Rt. 226, P.O. Box 38  
Big Prairie, OH 44611-0038 USA  
Telephone: 330-496-3211  
Fax: 330-496-3097  
Email: sealand@dometicusa.com

## PARTS LIST: VACUUM HOLDING TANK MODEL - 317769212

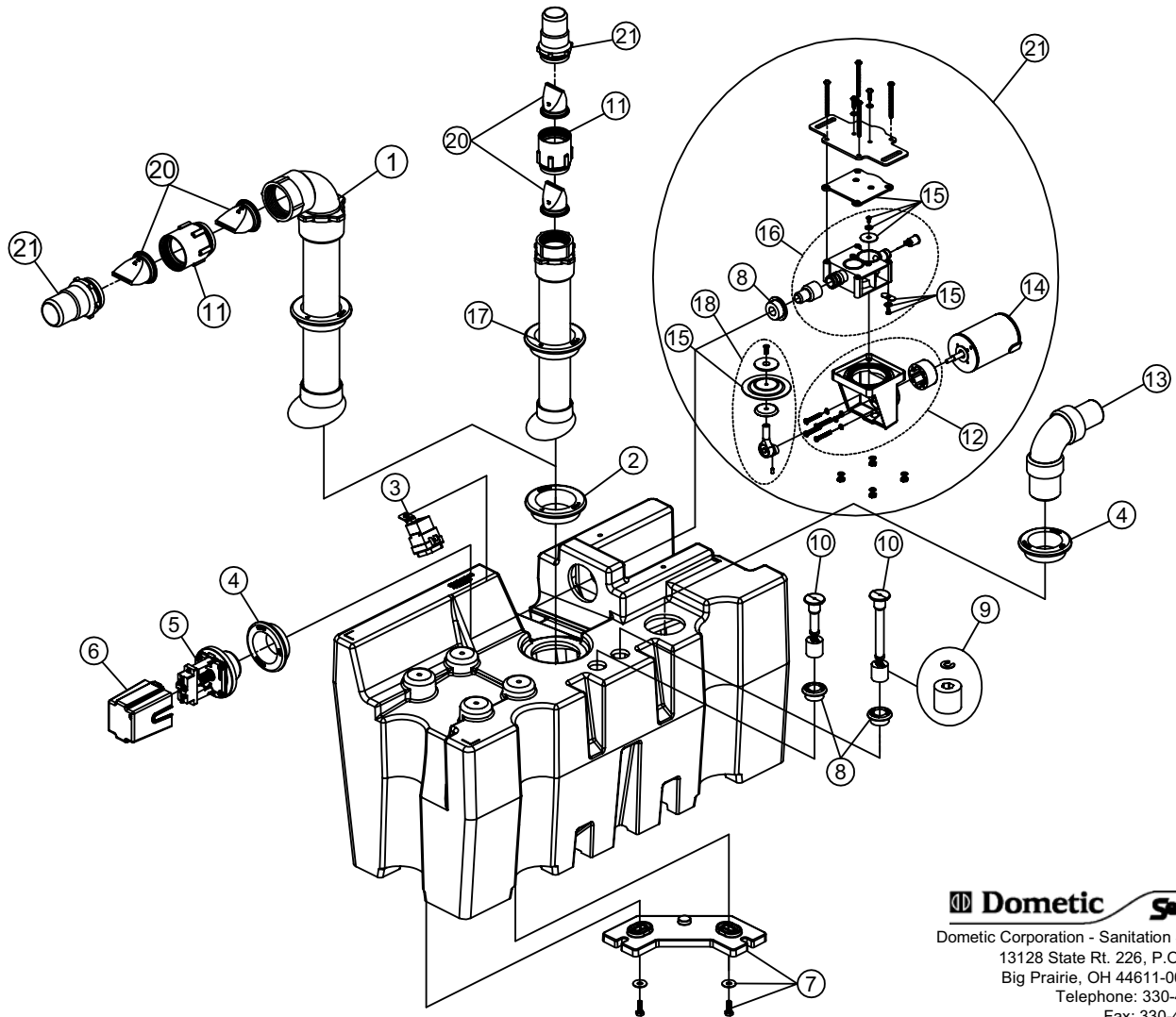
ITEM	PART NO.	DESCRIPTION	ITEM	PART NO.	DESCRIPTION
1	385311420	KIT, SNAP-ON VAC SW'CH CVR-BLK	10	385311103	KIT, SWITCH FLOAT & LOCK RING
2	385310635	KIT, INLET ELBOW-UNISEAL (INC 3)	11	385311164	KIT, SEALING GROMMET 1/2"
3	385311111	KIT, SEALING GROMMET 1-1/2"	12	385311774	KIT, RELAY SPDT 12V VF4
4	385311436	KIT, VACUUM SWITCH (INC 3)	13	385310631	KIT, CONNECTING ROD-AIR PUMP
5	385311069	KIT, THR'D ELBOW W/HOSE ADAPT	14	385311040	KIT, VHT AP VALVE REP'L
6	385311110	KIT, SEALING GROMMET 2"	15	385311440	KIT, VT4500 AIRPUMP ASSY (INC 14)
7	385310076	KIT, DB VALVE 1-1/2"-BLACK (2)	16	385310664	KIT, MOTOR-VHT
8	385311421	KIT, DIPTUBE W/SWIVEL NUT	17	385310642	KIT, VHT AIR PUMP-COMP (INC 13,14,15,16)
9	385310629	KIT, FULL INDICATOR-VHT (INC 11)	18	385310675	KIT, 3/4 LEVEL INDICATOR-VHT (INC 11)



Dometic Corporation - Sanitation Systems  
13128 State Rt. 226, P.O. Box 38  
Big Prairie, OH 44611-0038 USA  
Telephone: 330-496-3211  
Fax: 330-496-3097  
Email: sealand@dometicusa.com

**PARTS LIST: 317704501 VT4501-STRAIGHT DIS'G**  
**317704502 VT4502-ELBOW DIS'G**

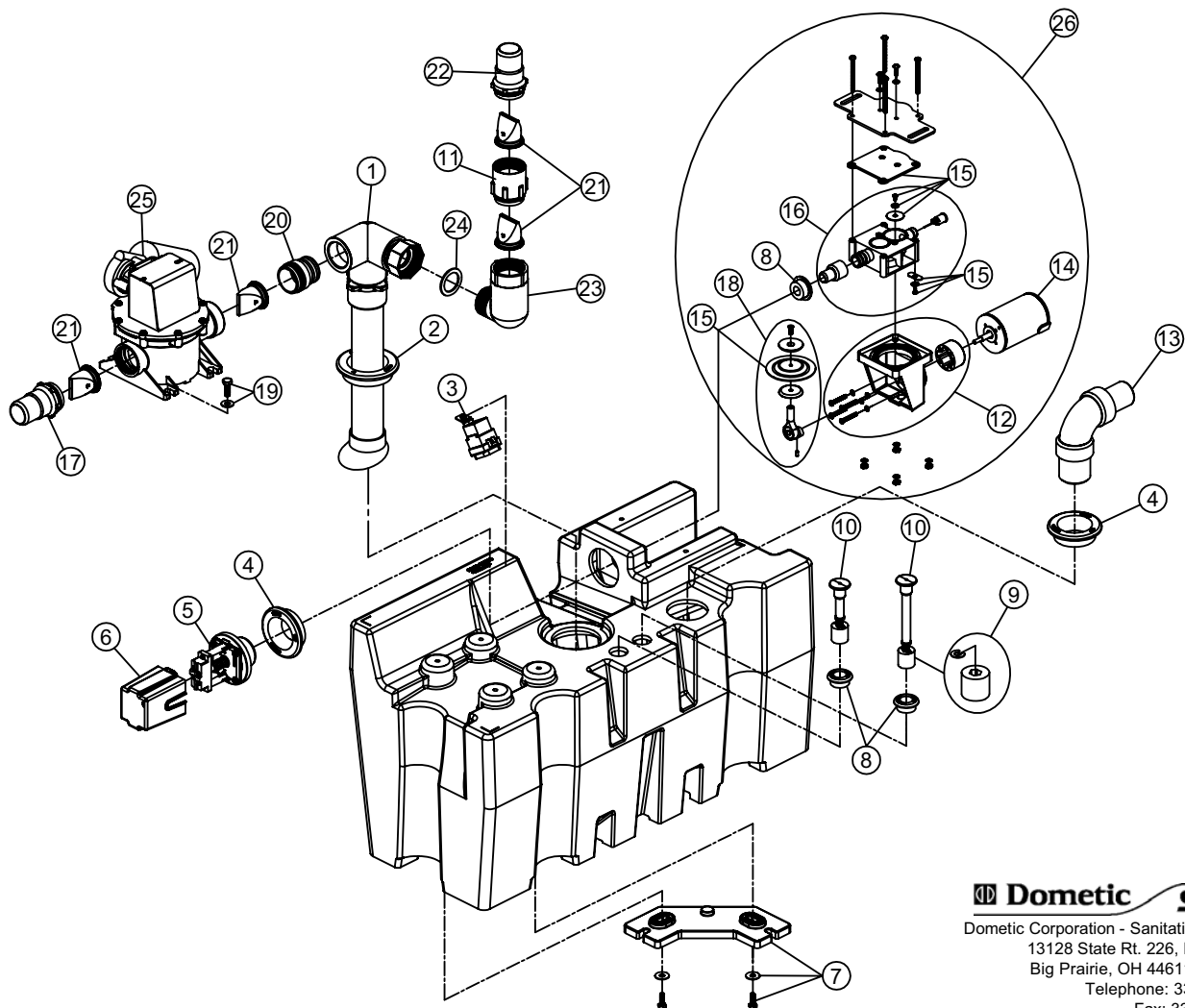
ITEM	PART NO.	DESCRIPTION	ITEM	PART NO.	DESCRIPTION
1	385311435	KIT, VT4500 DIPTUBE W/ELBOW	13	385310635	KIT, INLET ELBOW-UNISEAL (INCLUDES ITEM 4)
2	385311110	2" SEALING GROMMET	14	385311439	KIT, VT4500 MOTOR REPL
3	385310842	KIT, RELAY/BACKET-12VDC	15	385311040	VALVE REPLACEMENT KIT VT 4500 SERIES
4	385311111	1-1/2" SEALING GROMMET	16	385311440	KIT, VHT AP VALVE REPL-ELX ( INC. 15)
5	385311436	KIT, VACUUM SWITCH (INCLUDES ITEM 4)	17	385311441	KIT, VT4500 DIPTUBE STRAIGHT (INCLUDES ITEM 2)
6	385311420	KIT, SNAP-ON VAC SW'CH CVR-BLK	18	385311442	KIT, VT4500 ECCENTRIC KIT
7	385311437	KIT, MOUNTING VT4500 SERIES (1 MTG. FOOT INC.)	19	385311315	KIT, NIPPLE-RH THREADS
8	385311164	1/2" SEALING GROMMET	20	385310076	KIT, DUCKBILL VALVE
9	385311103	KIT, SWITCH FLOAT & LOCK RING	21	385311450	KIT, AIRPUMP & MOT COMP'T (INC. ITEMS 8,12 & 14-16,18)
10	385311253	KIT, ADJ IND'V LEVEL IND'C-12" (INCLUDES ITEM 8)	N/S	385311443	KIT, 3/4-FULL PNL & HARNESS
11	385311316	KIT, VALVE ADAPTER-RH THREADS			
12	385311438	KIT, VT4500 MOTOR ASSY (INCLUDES ITEM 14,18)			



**Dometic** *Sealand*  
Dometic Corporation - Sanitation Systems  
13128 State Rt. 226, P.O. Box 38  
Big Prairie, OH 44611-0038 USA  
Telephone: 330-496-3211  
Fax: 330-496-3097  
Email: sealand@dometicus.com

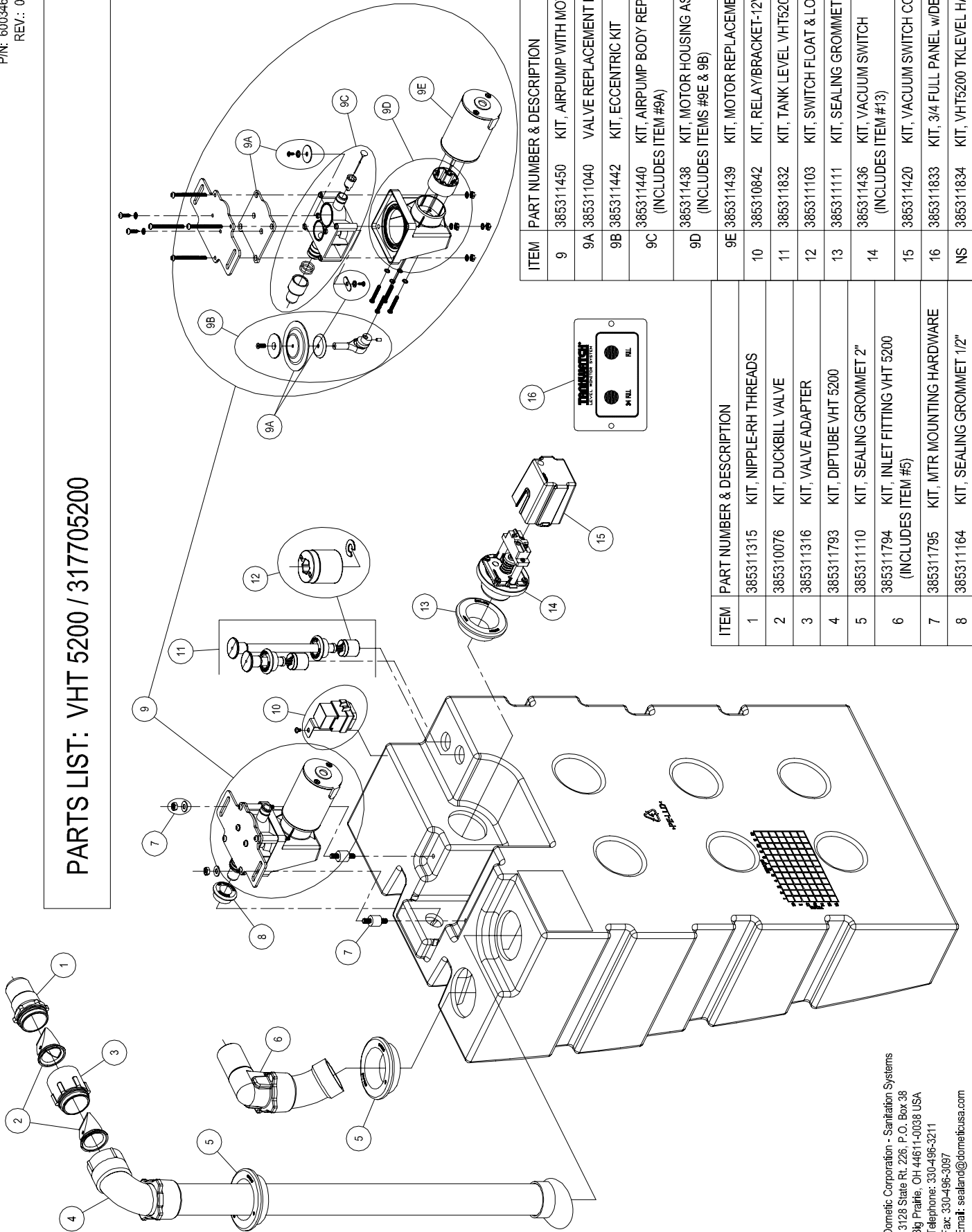
# PARTS LIST: 317704511 VT4511-T12/SWIVEL DIS'G

ITEM	PART NO.	DESCRIPTION	ITEM	PART NO.	DESCRIPTION
1	385311444	KIT, VT4500 DIPTUBE 3W/SWIVEL (INC. ITEM 2)	17	600340669	NIPPLE, VALVE-T PUMP
2	385311110	2" SEALING GROMMET	18	385311442	KIT, DIAPHRAM AND ECCENTRIC 4500 SERIES
3	385310842	KIT, RELAY/BRACKET-12VDC	19	385311163	KIT, MTG HARDWARE PUMP TO TANK
4	385311111	1-1/2" SEALING GROMMET	20	385311445	KIT, FITTING, PUMP ADPT-LH 1-1/2"
5	385311436	SB VACUUM SWITCH (INC. ITEM 4)	21	385310076	KIT, DUCKBILL VALVE
6	385311420	KIT, SNAP-ON VAC SWITCH COVER	22	385311315	KIT, NIPPLE-RH THREADS
7	385311437	KIT, MOUNTING VT4500 SERIES	23	385311455	KIT, VT4511 DISCHARGE ELBOW (INC. ITEM 24)
8	385311164	1/2" SEALING GROMMET	24	385311233	KIT, SLIP SEAL 1-1/2" REPL
9	385311103	KIT, SWITCH FLOAT & LOCK RING	25	N/A	SEE PUMP EXPLODED PARTS LIST
10	385311253	FULL LEVEL INDICATOR KIT 1ea. (INCLUDES ITEM 8)	26	385311450	4500 AIR PUMP COMP (INC. ITEMS 8,12 & 14-16,18)
11	385311316	KIT, VALVE ADAPTER-RH THREADS	N/S	385311443	KIT, 3/4-FULL PNL & HARNESS
12	385311438	KIT, MOTOR ASSEMBLY ( INC. ITEMS 14,18)			
13	385310635	KIT, INLET ELBOW-UNISEAL (INC. ITEM 4)			
14	385311439	KIT, VT4500 MOTOR REPL			
15	385311040	VALVE REPLACEMENT KIT VT 4500 SERIES			
16	385311440	KIT, VHT AP VALVE REPL-ELX (INC. 15)			



**Dometic** *Sealand*  
Dometic Corporation - Sanitation Systems  
13128 State Rt. 226, P.O. Box 38  
Big Prairie, OH 44611-0038 USA  
Telephone: 330-496-3211  
Fax: 330-496-3097  
Email: sealand@dometicus.com

# PARTS LIST: VHT 5200 / 317705200



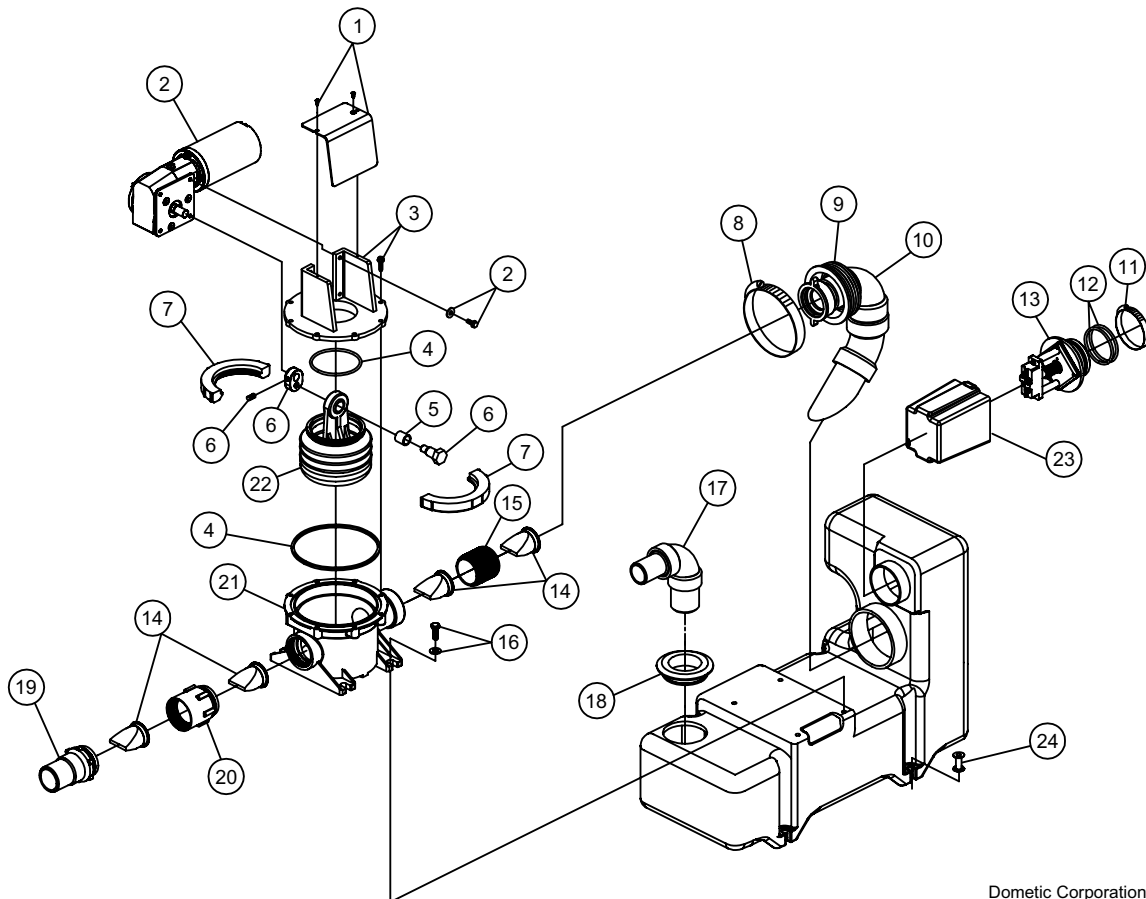
ITEM	PART NUMBER & DESCRIPTION
9	385311450 KIT, AIRPUMP WITH MOTOR
9A	385311040 VALVE REPLACEMENT KIT
9B	385311442 KIT, ECCENTRIC KIT
9C	385311440 KIT, AIRPUMP BODY REPLACEMENT (INCLUDES ITEM #9A)
9D	385311438 KIT, MOTOR HOUSING ASSEMBLY (INCLUDES ITEMS #9E & 9B)
9E	385311439 KIT, MOTOR REPLACEMENT
10	385310842 KIT, RELAY/BACKET-12VDC
11	385311832 KIT, TANK LEVEL VHT5200 w/DEUTSCH
12	385311103 KIT, SWITCH FLOAT & LOCK RING
13	385311111 KIT, SEALING GROMMET 1-1/2"
14	385311436 KIT, VACUUM SWITCH (INCLUDES ITEM #13)
15	385311420 KIT, VACUUM SWITCH COVER-BLK
16	385311833 KIT, 3/4 FULL PANEL w/DEUTSCH
NS	385311834 KIT, VHT5200 TKLEVEL HARN w/DT

ITEM	PART NUMBER & DESCRIPTION
1	385311315 KIT, NIPPLE-RH THREADS
2	385310076 KIT, DUCKBILL VALVE
3	385311316 KIT, VALVE ADAPTER
4	385311793 KIT, DIPTUBE VHT 5200
5	385311110 KIT, SEALING GROMMET 2"
6	385311794 KIT, INLET FITTING VHT 5200 (INCLUDES ITEM #5)
7	385311795 KIT, MTR MOUNTING HARDWARE
8	385311164 KIT, SEALING GROMMET 1/2"

Dometic Corporation - Sanitation Systems  
13128 State Rt. 226, P.O. Box 38  
Big Prairie, OH 44611-0038 USA  
Telephone: 330-496-3211  
Fax: 330-496-3097  
Email: sealand@dometicusa.com

## PARTS LIST: VACUUM GENERATOR VG12 & VG24 SERIES

ITEM	PART NO.	DESCRIPTION	ITEM	PART NO.	DESCRIPTION
1	385311323	PUMP COVER KIT	14	385310076	DUCKBILL VALVE KIT (2 PCS. PER KIT)
2	385311065	12VDC Q- MOTOR KIT	15	388640366	1½" NPT CLOSE NIPPLE
	385311066	24VDC Q- MOTOR KIT	16	385311163	KIT, MTG HARDWARE PUMP TO TANK
3	385311324	PUMP TOP CLOSURE	17	385310895	INLET ELBOW KIT ( includes item 18)
4	385310151	O'RING KIT	18	385311111	1½" SEALING GROMMET
5	385310242	BUSHING	19	385311315	VALVE NIPPLE
6	385310644	ECCENTRIC KIT	20	385311316	VALVE ADAPTER
7	385311226	BELLOWS CLAMP	21	600341504	PUMP BODY
8	600342783	3-3/4" DIAMETER WORM GEAR CLAMP	22	385230980	BELLOWS ASSEMBLY (includes item 5)
9	600342779	O'RING, 3"ID x 3-1/4"OD	23	385311215	VACUUM SWITCH COVER
10	385310539	DIPTUBE ASSEMBLY KIT (INCLUDES ITEM 9)	24	385311318	MOUNTING SPINDLE
11	600342782	2½" DIAMETER WORM GEAR CLAMP		N/S	385310774
12	600342778	O'RING, 2"ID x 2¼"OD		385310775	KIT, VG PUMP ASSEMBLY 24VDC
13	385310540	VACUUM SWITCH KIT (INCLUDES ITEMS 11 & 12)			

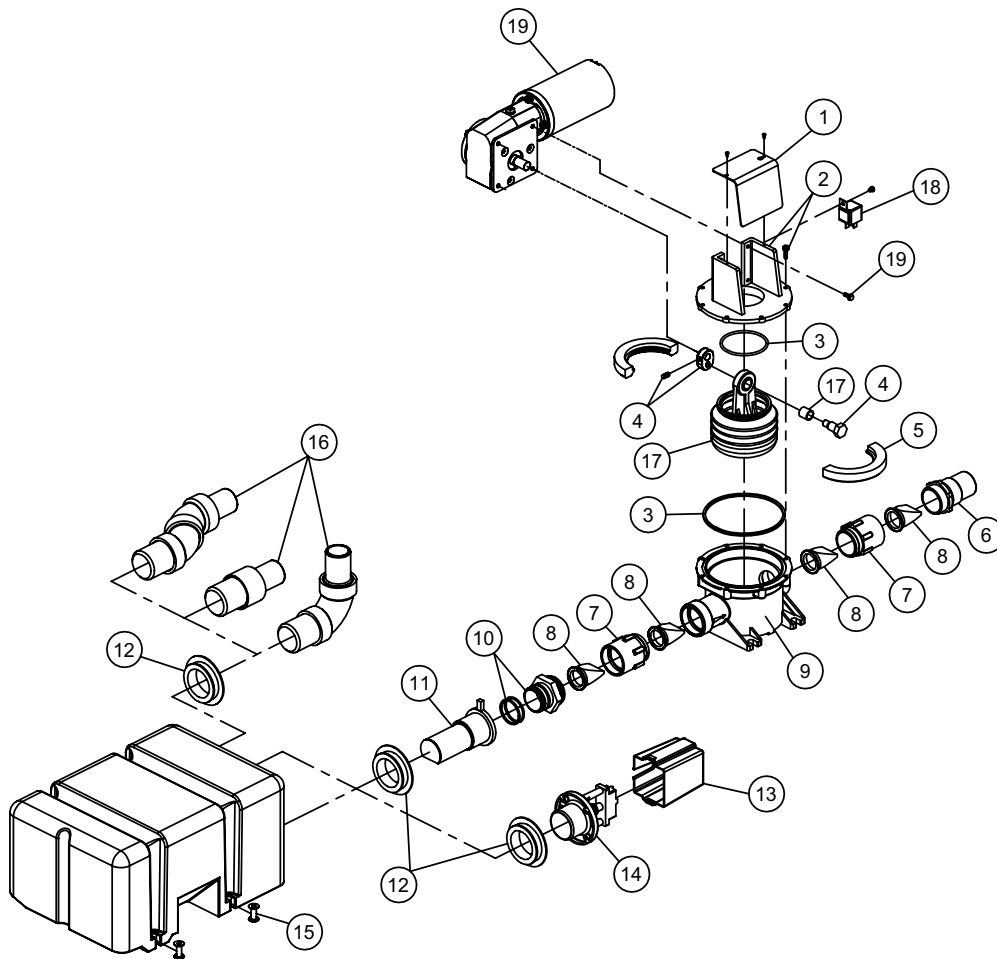


Dometic Corporation - Sanitation Systems  
13128 State Rt. 226, P.O. Box 38  
Big Prairie, OH 44611-0038 USA  
Telephone: 330-496-3211  
Fax: 330-496-3097  
Email: sealand@dometicusa.com



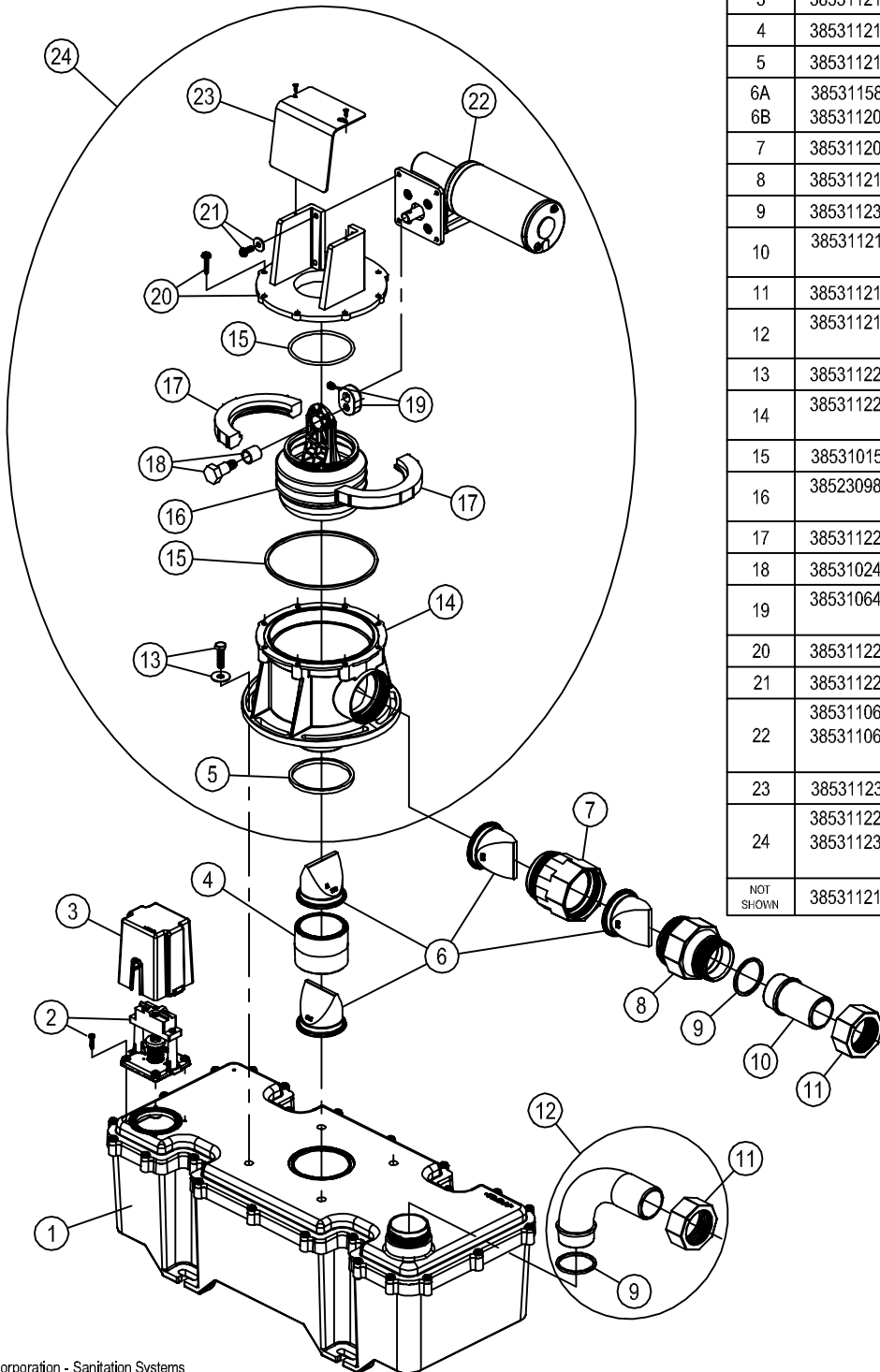
## PARTS LIST: VACUUM GENERATOR LOW PROFILE 12VDC & 24VDC

ITEM	PART NO.	DESCRIPTION	ITEM	PART NO.	DESCRIPTION
1	385311323	COVER, PUMP	13	385311215	VACUUM SWITCH COVER LOW PROFILE VG
2	385311324	KIT, SPUMP TOP CLOSE W/SCREWS	14	385311436	KIT, VACUUM SWITCH (inc. item 12)
3	385310151	O'RING REPLACEMENT KIT	15	385311318	KIT, TANK MTG SPINDLE
4	385310644	KIT, ECCENTRIC/SCREW-S/T PUMP	16	385310635	INLET ELBOW ASSEMBLY
5	385311226	CLAMP, BELLOWS S/T PUMP		385310690	STRAIGHT INLET ( optional )
6	385311315	KIT, NIPPLE-RH THREADS		385310787	45° INLET ELBOW (optional )
7	385311316	KIT, VALVE ADAPTER-RH THREADS	17	385230980	BELLOWS KIT (includes item 7)
8	385310076	KIT VALVE, CHECK DUCKBILL-S/T PUMP (2 EA)	18	600343053	RELAY, SPDT 12VDC 4 $\frac{2}{30}$ AMP VF4 (optional)
9	600341504	BODY,S-PUMP		600344239	RELAY, SPDT 24VDC 4 $\frac{2}{30}$ AMP VF4 (optional)
10	385311317	KIT, PUMP ADAPT TO DIPTUBE FIT	19	385311065	12VDC W MOTOR
11	385310754	KIT, DIP TUBE LOW PROFILE VG (INC. ITEM 12)		385311066	24VDC W MOTOR
12	385311111	1 $\frac{1}{2}$ " SEALING GROMMET	20	385310249	KIT, S PUMP W/O MOTOR
			N/S	385311100	KIT, LPVG SW-PUMP ASSY 24VDC
			N/S	385311595	KIT, LPVG-W-PUMP ASSY 12VDC



**Dometic** *sealand*  
Dometic Corporation - Sanitation Systems  
13128 State Rt. 226, P.O. Box 38  
Big Prairie, OH 44611-0038 USA  
Telephone: 330-496-3211  
Fax: 330-496-3097  
Email: sealand@dometicusa.com

# PARTS LIST: VACUUM GENERATOR 4

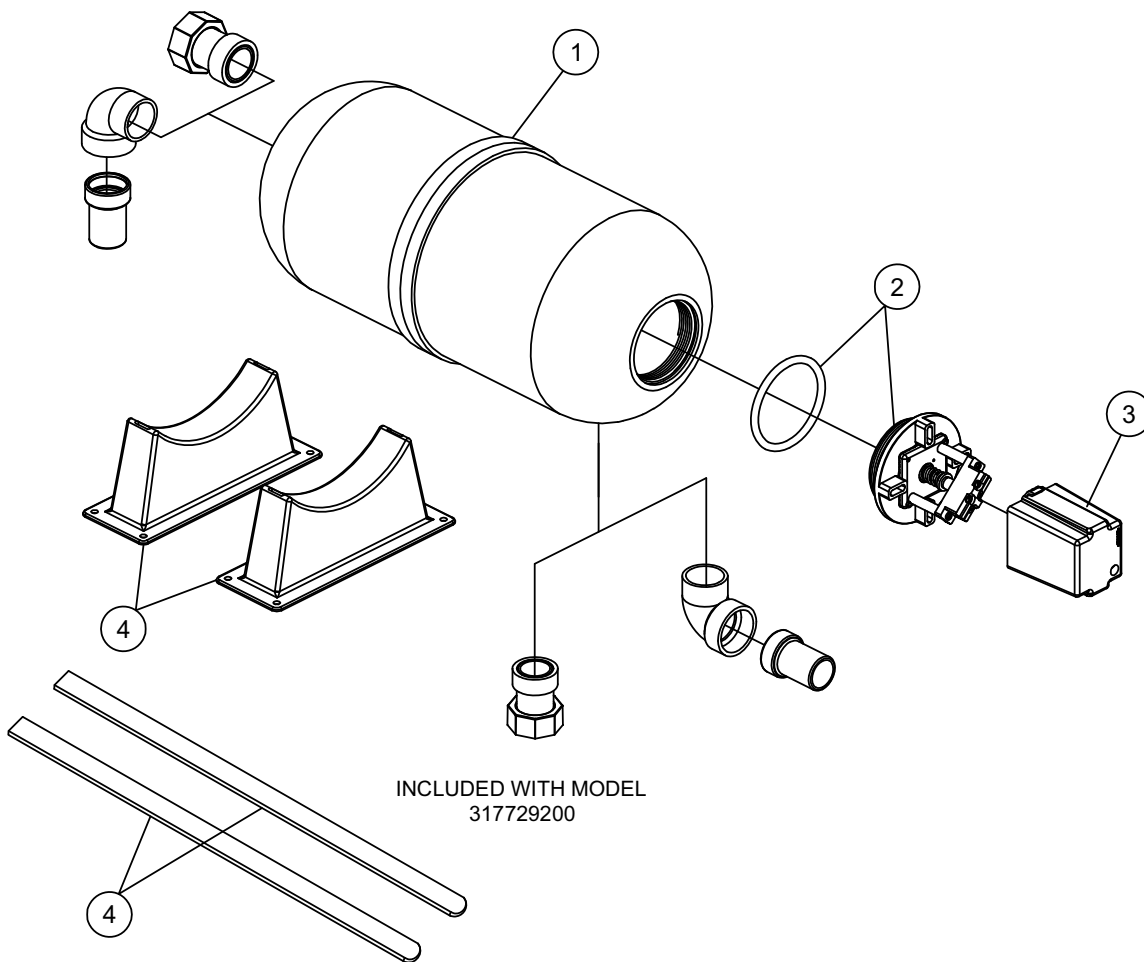


ITEM	PART NUMBER & DESCRIPTION
1	385311217 VG4 TANK ASSEMBLY KIT
2	385311216 VACUUM SWITCH ASSEMBLY **INCLUDES ITEM 3.
3	385311215 VACUUM SWITCH COVER
4	385311214 VG4 DISCHARGE VALVE SPACER
5	385311213 PUMP TO TANK SEAL
6A	385311581 2" CHECK VALVE REPLACEMENT (4 PER KIT)
6B	385311208 2" CHECK VALVE REPLACEMENT (2 PER KIT)
7	385311209 2" CHECK VALVE ADAPTER
8	385311210 TRANSITION FITTING 2" TO 1-1/2"
9	385311238 FITTING SEAL
10	385311211 1-1/2" VG4 STRAIGHT HOSE FITTING **INCLUDES ITEMS 9 & 11.
11	385311212 1-1/2" SWIVEL NUT
12	385311218 1-1/2" VG4 90° ELBOW HOSE FITTING **INCLUDES ITEMS 9 & 11.
13	385311220 PUMP MOUNTING HARDWARE
14	385311227 PUMP BODY REPLACEMENT KIT **INCLUDES ITEM 5.
15	385310151 PUMP O'RING REPLACEMENT KIT
16	385230980 PUMP BELLOWS ASSEMBLY KIT **INCLUDES ITEM 18
17	385311226 PUMP BELLOWS CLAMP KIT
18	385310242 PUMP BELLOWS BUSHING/BOLT KIT
19	385310644 PUMP ECCENTRIC KIT **INCLUDES ITEMS 18.
20	385311225 PUMP TOP CLOSURE REPLACEMENT
21	385311224 PUMP MOTOR MOUNTING HARDWARE
22	385311065 W-SERIES MOTOR REPLACEMENT-12V 385311066 W-SERIES MOTOR REPLACEMENT-24V **INCLUDES ITEMS 18 & 19.
23	385311231 PUMP COVER REPLACEMENT KIT
24	385311229 J-SERIES PUMP REPLACEMENT - 12V 385311230 J-SERIES PUMP REPLACEMENT - 24V **INCLUDES ITEM 5-8 & 13-23.
NOT SHOWN	385311219 TANK SEAL

## PARTS LIST: MODEL 317729100 & 317729200

ITEM	PART NO.	DESCRIPTION
1	385310017	KIT, VACUUM TANK-REPLACEMENT
2	385318032	KIT, VACUUM TANK SWITCH
3	385311215	KIT, SNAP-ON VAC SW'CH CVR-WHT
4	385311659	KIT, VAC TK MTG BRKT (1 EACH)

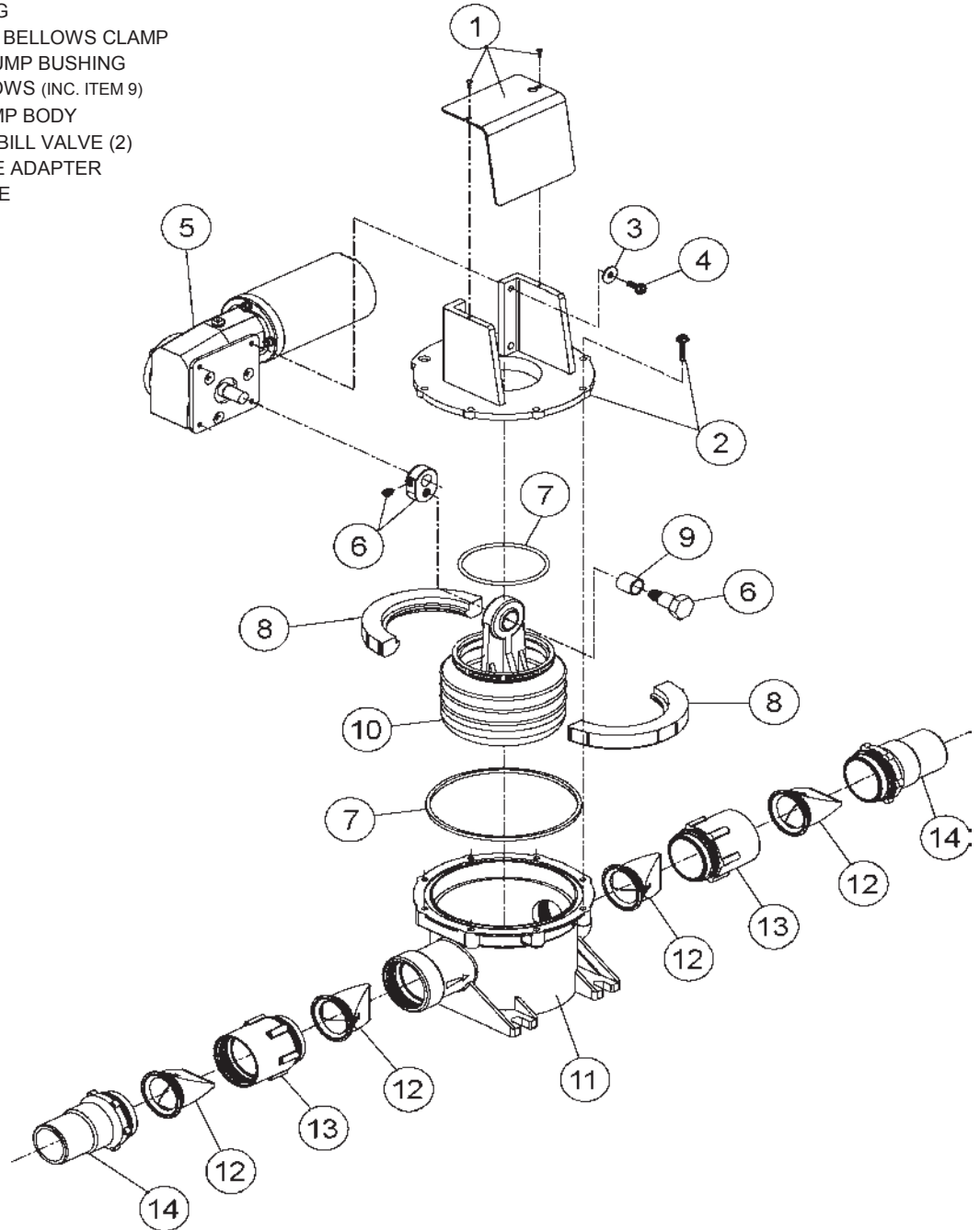
INCLUDED WITH MODEL  
317729200



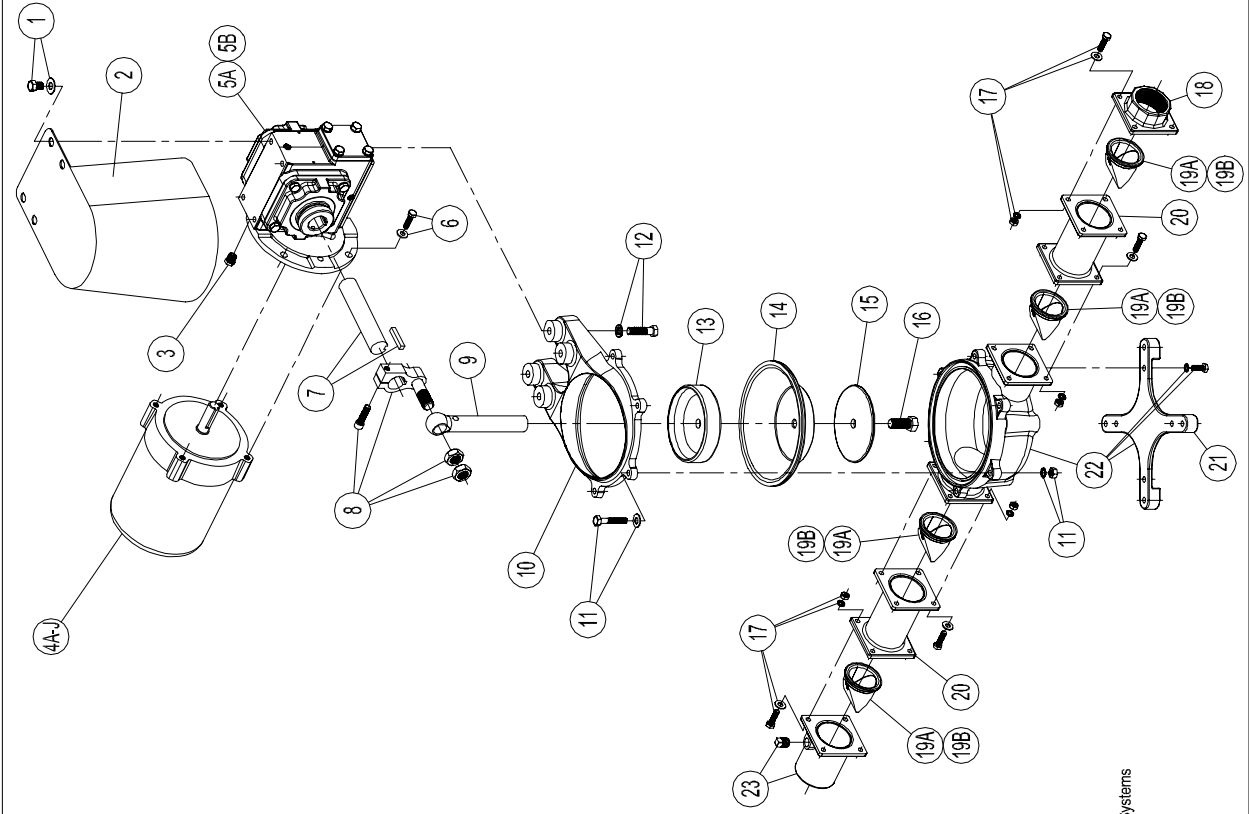
INCLUDED WITH MODEL  
317729200

# PARTS LIST: Vacuum System Pump, Models SW12 & SW24

ITEM	PART	DESCRIPTION
1	385311323	KIT, PUMP COVER
2	385311324	KIT, PUMP TOP-CLOSE W/SCREWS
3	385311224	KIT, S-SERIES MOTOR MOUNTING HARDWARE (includes item 4)
4	385311224	KIT, S-SERIES MOTOR MOUNTING HARDWARE (includes item 3)
5	385311065	KIT, SW MOTOR 12V
	385311423	KIT, SS/SQ TO SW MOTOR 12V (INC. ITEMS 4,6,8,9&10)
	385311066	KIT, SW MOTOR 24V
	385311424	KIT, SS/SQ TO SW MOTOR 24V (INC. ITEMS 4,6,8,9&10)
6	385310644	KIT, ECCENTRIC/SCREW
7	385310151	KIT, O'RING
8	385311226	KIT, PUMP BELLOWS CLAMP
9	385310242	KIT, S/T PUMP BUSHING
10	385230980	KIT, BELLOWS (INC. ITEM 9)
11	385311844	KIT, S-PUMP BODY
12	385310076	KIT, DUCKBILL VALVE (2)
13	385311316	KIT, VALVE ADAPTER
14	385311315	KIT, NIPPLE



# PARTS LIST: M-PUMP MODELS

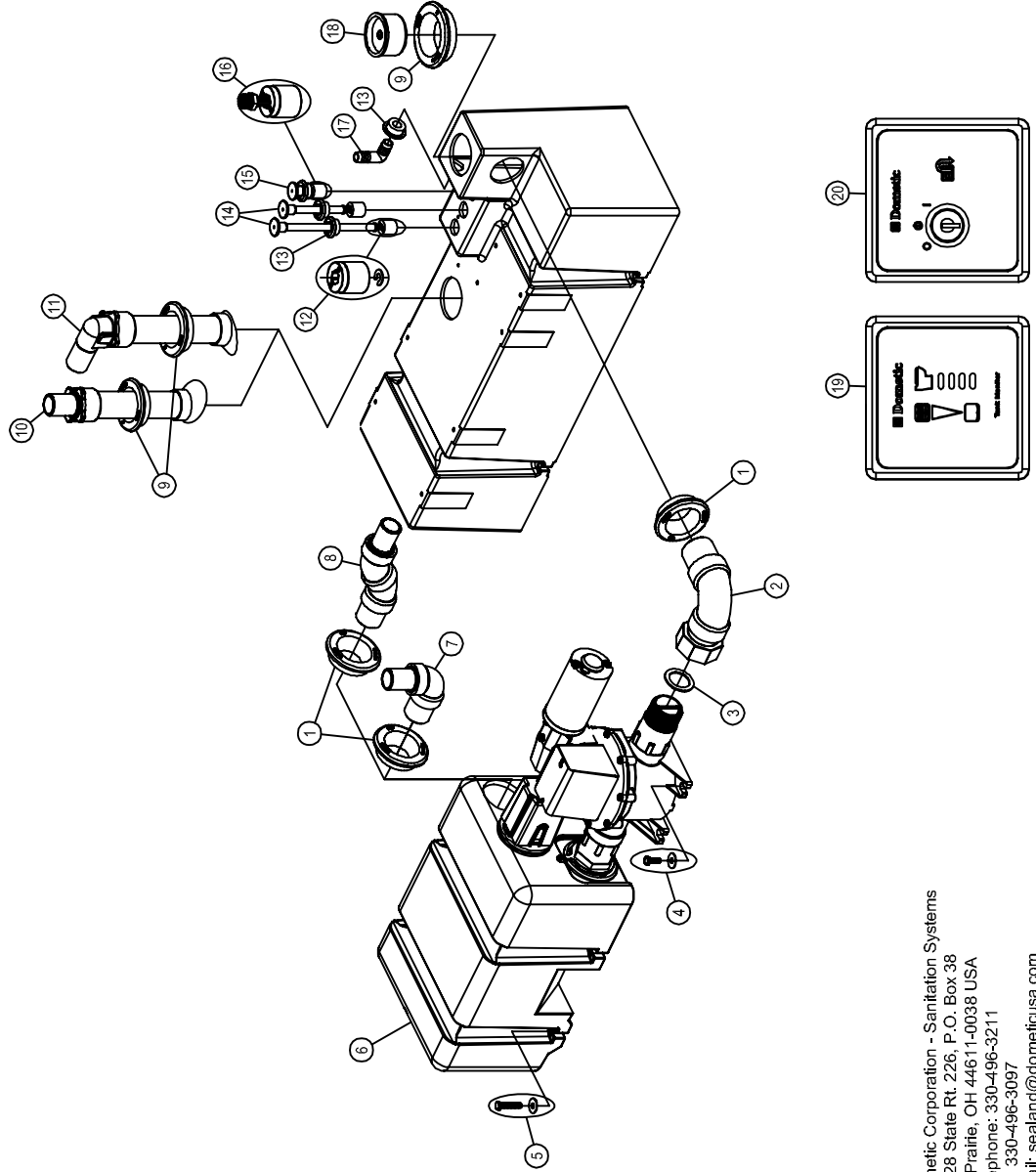


ITEM	PART NUMBER & DESCRIPTION
1	385311799 COVER MOUNTING HARDWARE
2	385311800 COVER **INCLUDES ITEM 1.
3	385311801 VENT
4A	385311802 MOTOR, 1/2 HP 115 VOLT 60HZ TEFC
4B	385311803 MOTOR, 1/2 HP 115 VOLT 50HZ TEFC
4C	385311804 MOTOR, 1/2 HP 115 VOLT 60HZ EX-PROOF
4D	385311805 MOTOR, 1/2 HP 115 VOLT 50HZ EX-PROOF
4E	385311806 MOTOR, 1/2 HP 12VDC
4F	385311807 MOTOR, 1/2 HP 24VDC
4G	385311808 MOTOR, 3/4 HP 115 VOLT 60HZ TEFC
4H	385311809 MOTOR, 3/4 HP 115 VOLT 50HZ TEFC
4I	385311810 MOTOR, 3/4 HP 115 VOLT 60HZ EX-PROOF
4J	385311811 MOTOR, 3/4 HP 115 VOLT 50HZ EX-PROOF
5A	385311812 GEAR REDUCER 20:1
5B	385311813 GEAR REDUCER 30:1
6	385311814 MOTOR MOUNTING HARDWARE
7	385311815 OUTPUT SHAFT & KEY
8	385311816 ECCENTRIC
9	385311817 CONNECTING ROD
10	385311818 TOP-CLOSURE
11	385311819 TOP-CLOSURE MOUNTING HARDWARE
12	385311820 GEAR REDUCER MOUNTING HARDWARE
13	385311821 UPPER DIAPHRAGM PLATE
14	385311822 DIAPHRAGM
15	385311823 LOWER DIAPHRAGM PLATE
16	385311824 CONNECTOR ROD SCREW
17	385311825 VALVE HOUSING MOUNTING HARDWARE
18	385311826 INLET FLANGE 1-1/2" FEMALE NPT
19A	385311581 CHECK VALVE - BLACK (4)
19B	385311582 CHECK VALVE - RED (4)
20	385311827 VALVE HOUSING
21	385311828 MOUNTING PLATE & HARDWARE
22	385311829 PUMP BODY & MOUNTING PLATE **INCLUDES ITEM HARDWARE.
23	385311830 OUTLET FLANGE 1-1/2" FEMALE NPT & PLUG

Domestic Corporation - Sanitation Systems  
13128 State Rt. 226, P.O. Box 38  
Big Prairie, OH 44611-0038 USA  
Telephone: 330-496-3211  
Fax: 330-496-3097  
Email: sealand@domesticusa.com

**PARTS LIST: 10+ HOLDING TANK SYSTEM / 322711012; 319009001; 320101003; 322101012; 322101024**

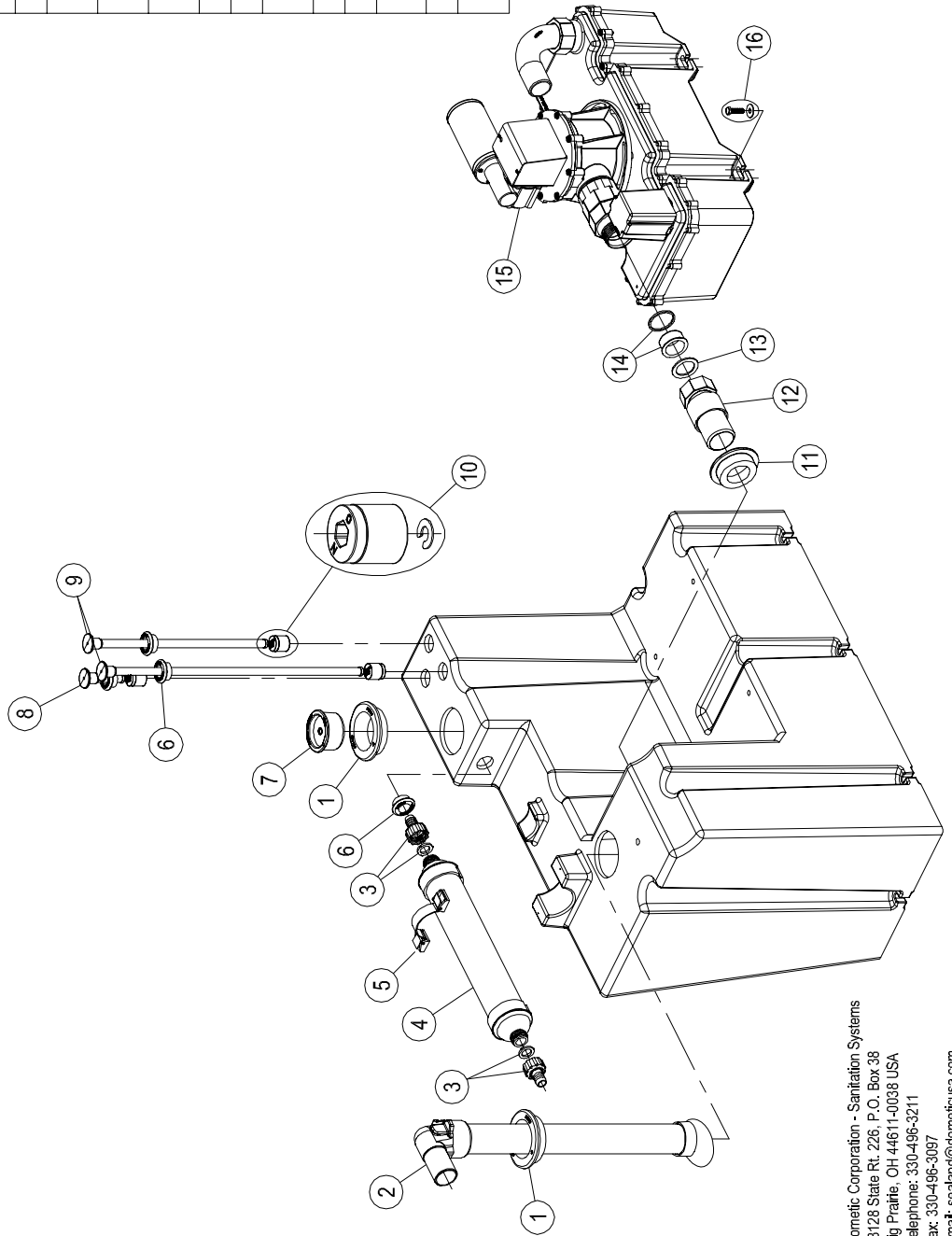
ITEM	PART NUMBER & DESCRIPTION
1	385311111 1-1/2" SEALING GROMMET
2	385310772 VG HOLDING TANK INLET FITTING **INCLUDES ITEM 1 & 3.
3	385311233 1-1/2" SLIP SEAL REPLACEMENT
4	385311163 PUMP MOUNTING HARDWARE
5	385311162 VG MOUNTING HARDWARE
6	N/A LOW-PROFILE VACUUM GENERATOR **SEE LPVG PARTS LIST.
7	385310708 INLET ELBOW FITTING **INCLUDES ITEM 1.
8	385310787 OFFSET INLET FITTING **INCLUDES ITEM 1.
9	385311110 2" SEALING GROMMET
10	385311584 STRAIGHT DIPTUBE ASSEMBLY **INCLUDES ITEM 9.
11	385311573 90° ELBOW DIPTUBE ASSEMBLY **INCLUDES ITEM 9.
12	385311103 TANK LEVEL FLOAT & LOCK RING
13	385311164 1/2" SEALING GROMMET
14	385311253 TANK LEVEL ADJUSTABLE - 12" **INCLUDES ITEM 13.
15	313900101 FULL TANK LEVEL **INCLUDES ITEM 13.
16	385230268 THREADED STEM/FLOAT REPLACEMENT
17	385311770 VENT ELBOW FITTING **INCLUDES ITEM 13.
18	313255247 TANKSAVER **INCLUDES ITEM 9.
19	385017001 DTM04 PNL w/RELAY & HARNESS **USED WITH MODEL 320101003 & 319009001. 313604402 DTM04 PNL w/RELAY - 12V (BLACK) **USED WITH MODEL 322101012.
20	313814101 DTD01 PNL MANUAL 12V - BLK



Dometic Corporation - Sanitation Systems  
13128 State Rt. 226, P.O. Box 38  
Big Prairie, OH 44611-0038 USA  
Telephone: 330-496-3211  
Fax: 330-496-3097  
E-mail: sealand@dometicusa.com

# PARTS LIST: 18 GALLON HOLDING TANK SYSTEM / 322711812; 322011824

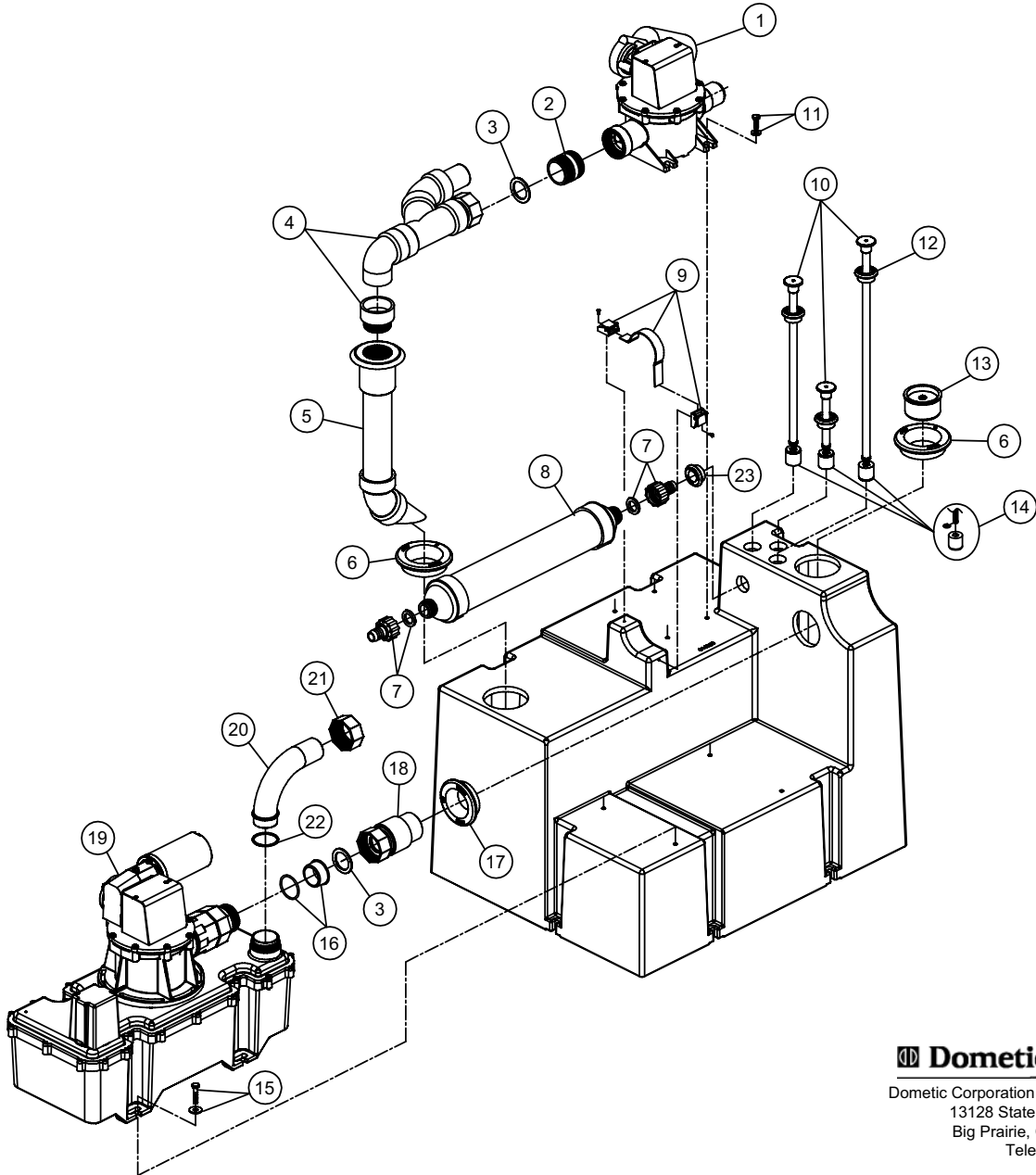
ITEM	PART NUMBER & DESCRIPTION
1	385311110 1-1/2" SEALING GROMMET
2	385311573 90° ELBOW DIPTUBE ASSEMBLY **INCLUDES ITEM 1.
3	385310135 VENT FILTER FITTINGS
4	309310001 VENT FILTER REPLACEMENT
5	385310673 VENT FILTER MOUNTING KIT
6	385311164 1/2" SEALING GROMMET
7	313255247 TANKSAVER **INCLUDES ITEM 1.
8	385311253 TANK LEVEL ADJUSTABLE 12" **INCLUDES ITEM 6.
9	385311254 TANK LEVEL ADJUSTABLE 24" **INCLUDES ITEM 6.
10	385311103 TANK LEVEL FLOAT & LOCK RING
11	385311111 1-1/2" SEALING GROMMET
12	385311236 VG4 HOLDING TANK INLET FITTING **INCLUDES ITEM 11 & 13.
13	385311233 1-1/2" SLIP SEAL REPLACEMENT
14	385311237 SLIP SEAL ADAPTER FITTING
15	N/A VACUUM GENERATOR 4 **SEE VG4 PARTS LIST.
16	385311275 VG4 MOUNTING HARDWARE
17	313604402 DTM04 w/SHUTDOWN RELAY - 12VDC 313604403 DTM04 w/SHUTDOWN RELAY - 24VDC



Domestic Corporation - Sanitation Systems  
13128 State Rt. 226, P.O. Box 38  
Big Prairie, OH 44611-0038 USA  
Telephone: 330-496-3211  
Fax: 330-496-3097  
Email: sealand@dometicusa.com

# PARTS LIST: 21 Gallon HTS 322702112 322702124

ITEM	PART NO.	DESCRIPTION	ITEM	PART NO.	DESCRIPTION
1	317301200	PUMP TW12	12	385311164	KIT, SEALING GROMMET 1/2"
	317302400	PUMP T24	13	313255247	1-1/2" TANKSAVER VALVE(inc. item 6)
2	385640370	KIT, LH/RH THREAD ADAPTER	14	385311103	KIT, SWITCH FLOAT & LOCK RING
3	385311233	KIT, SLIP SEAL 1-1/2" REPL	15	385311162	KIT, MTG HARDWARE VG TO HTS
4	385311232	KIT, DIPTUBE WYE FITTING 21HTS	16	385311237	KIT, SLIP SEAL ADAPTER-VG4
5	385310660	DIPTUBE (inc. item 6)	17	385311111	KIT, SEALING GROMMET 1-1/2"
6	385311110	KIT, SEALING GROMMET 2"	18	385311236	KIT, VG4 TO HD TANK FITTING
7	385310135	KIT, FILTER INSTALLATION	19	317780112	VG4/JQ12-STANDARD
8	309310001	HOLDING TANK REPL FILTER		317780024	VG4/JQ24-STANDARD
9	385310673	KIT, FILTER MOUNTING-HTS	20	385311218	KIT, EL HOSE FIT W/NUT-VG4(INC. 21 & 22)
10	385311235	KIT, LEVEL IN'D - 21HTS (includes item 12)	21	385311212	KIT, 1-1/2" SWIVEL NUT
11	385311163	KIT, MTG HARDWARE PUMP TO TANK	22	385311238	KIT, O'RING REPL-VG4 FITTINGS

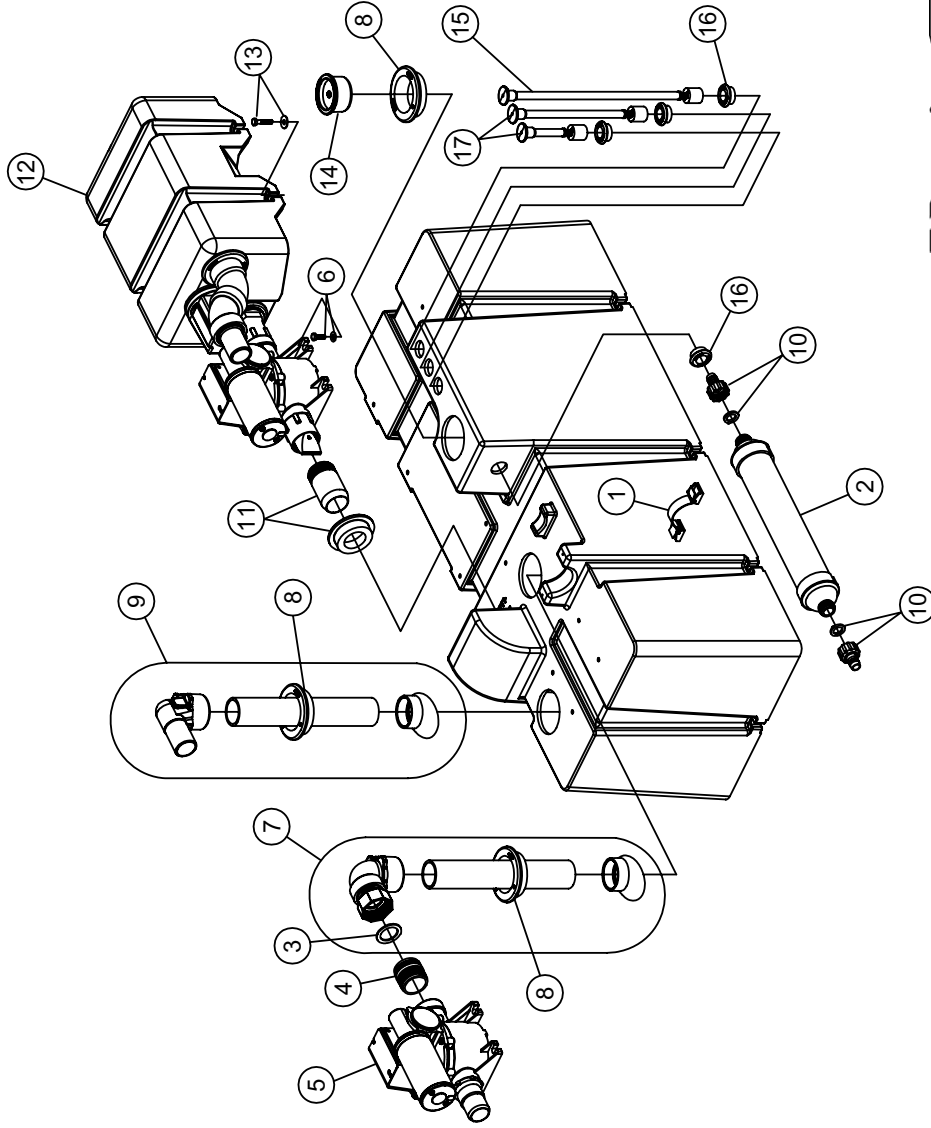


Dometic Corporation - Sanitation Systems  
 13128 State Rt. 226, P.O. Box 38  
 Big Prairie, OH 44611-0038 USA  
 Telephone: 330-496-3211  
 Fax: 330-496-3097  
 Email: sealand@dometicus.com



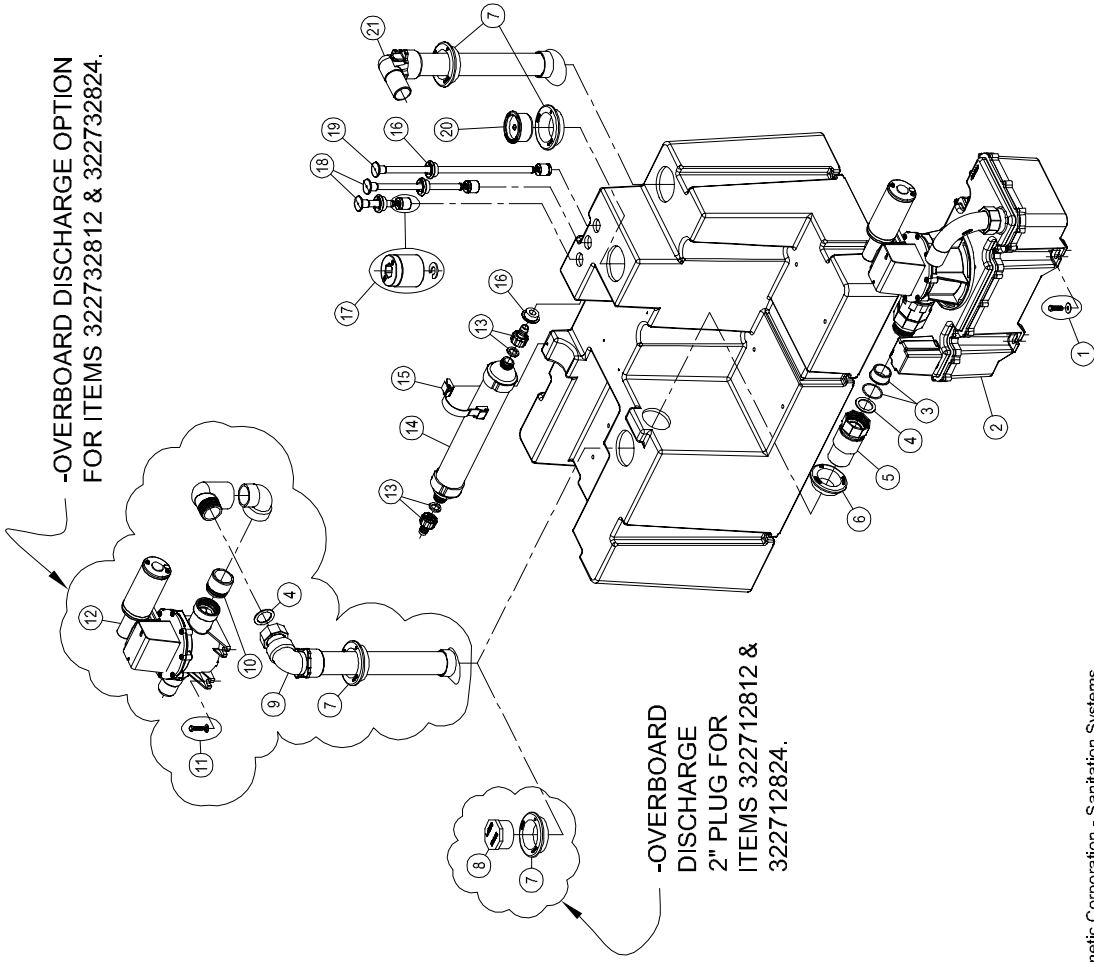
## PARTS LIST: MODEL 322712712-24 27 GAL HTS

ITEM	PART NO.	DESCRIPTION
1	385310673	KIT, FILTER MOUNTING-HTS
2	309310001	HOLDING TANK REPL FILTER
3	385311233	KIT, SLIP SEAL 1-1/2" REPL
4	385640370	KIT, LHRH THREAD ADAPTER
5	N/A	SEE PUMP PARTS LIST
6	385311163	KIT, MTG HARDWARE PUMP TO TANK
7	385311575	KIT, TPUMP DIPTUBE EL/SWIV CON (INC. 8)
8	385311110	KIT, SEALING GROMMET 2"
9	385311573	KIT, DIPTUBE 90° ELBOW GLUED (INC. 8)
10	385310135	KIT, FILTER INSTALLATION
11	385311367	KIT, VG OUTLET FITTING EXT
12	N/A	SEE LPVG PARTS LIST
13	385311162	KIT, MTG HARDWARE VG TO HTS
14	313255247	TANKSAVER 1-1/2" (INC. 8)
15	385311254	KIT, ADJ INDV LEVEL IND'C 24" (INC. 16)
16	385311164	KIT, SEALING GROMMET 1/2"
17	385311253	KIT, ADJ INDV LEVEL IND'C-12" (INC 16)



# PARTS LIST: 28+ HOLDING TANK SYSTEM / 322712812; 322732812; 322732824

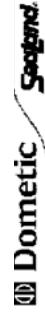
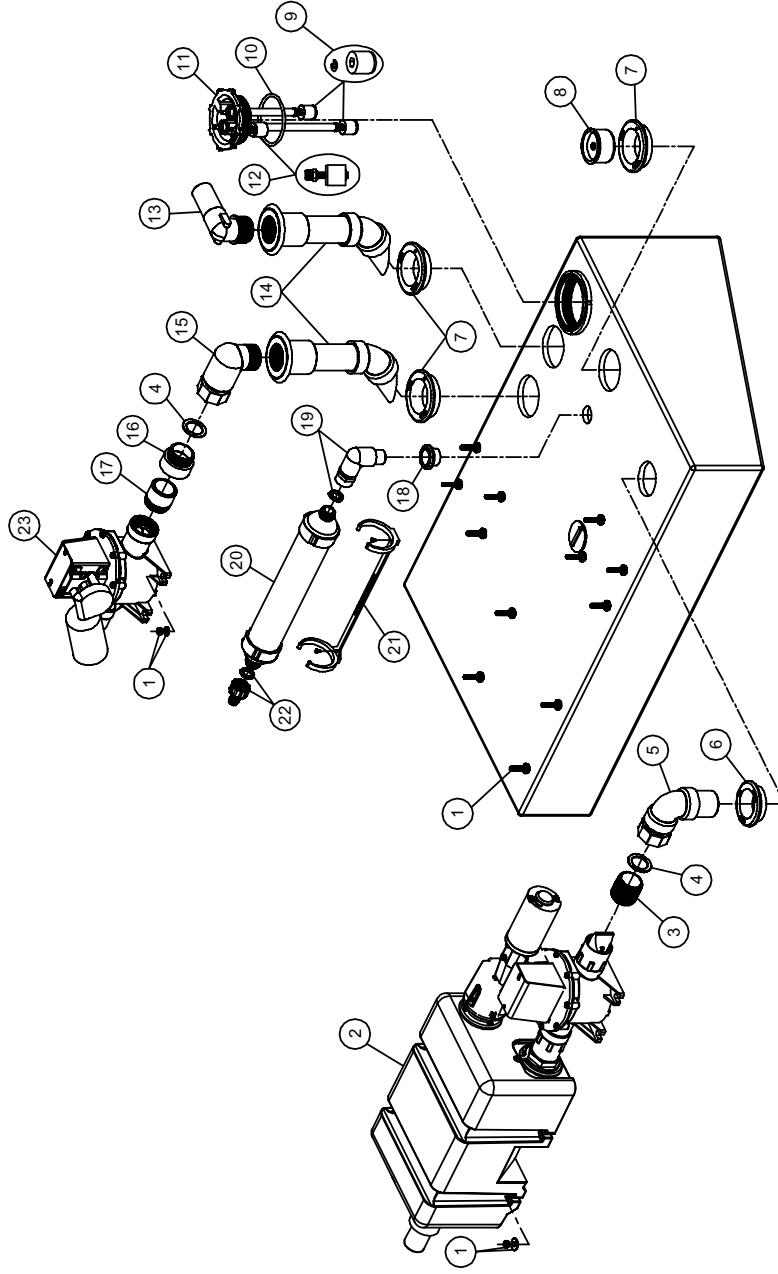
ITEM	PART NUMBER & DESCRIPTION
1	385311275 VG4 MOUNTING HARDWARE
2	N/A VACUUM GENERATOR 4
3	385311237 SLIP SEAL ADAPTER FITTING
4	385311233 1-1/2" SLIP SEAL REPLACEMENT
5	385311236 VG4 HOLDING TANK INLET FITTING **INCLUDES ITEM 4 & 6.
6	385311111 1-1/2" SEALING GROMMET
7	385311110 2" SEALING GROMMET
8	N/A 2" PLUG FITTING
9	385311577 ELBOW DIPTUBE w/SWIVEL NUT **INCLUDES ITEM 4 & 7.
10	385640335 PUMP INLET FITTING
11	385311163 PUMP MOUNTING HARDWARE
12	N/A DISCHARGE PUMP
13	385310135 VENT FILTER FITTINGS
14	309310001 VENT FILTER REPLACEMENT
15	385310673 VENT FILTER MOUNTING KIT
16	385311164 1/2" SEALING GROMMET
17	385311103 TANK LEVEL FLOAT & LOCK RING
18	385311253 TANK LEVELS ADJUSTABLE - 12" **INCLUDES ITEM 16.
19	385311254 TANK LEVELS ADJUSTABLE - 24" **INCLUDES ITEM 16.
20	313255247 TANKSAVER **INCLUDES ITEM 7.
21	385311573 90° ELBOW DIPTUBE ASSEMBLY **INCLUDES ITEM 7.



Dometic Corporation - Sanitation Systems  
13128 State Rt. 226, P.O. Box 38  
Big Prairie, OH 44611-0038 USA  
Telephone: 330-496-3211  
Fax: 330-496-3097  
Email: sealand@dometicusa.com

## PARTS LIST: MODEL 322722812 & 322722824

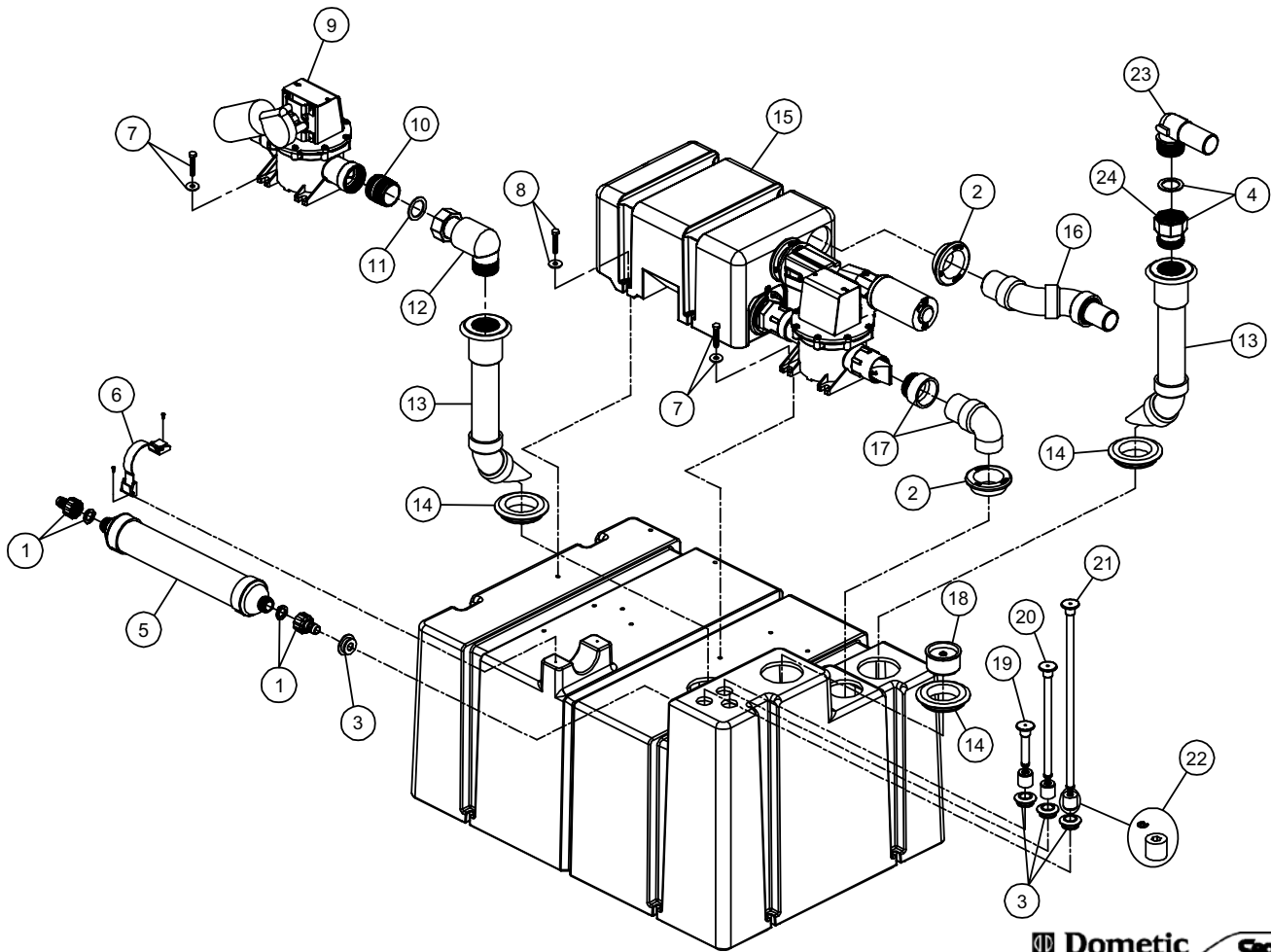
ITEM	PART NO.	DESCRIPTION
1	385310939	KIT, COMP MTG INSERT HD TANK
2	317773012	VGLPW12 REAR INLET
	317773024	VGLPW24 REAR INLET
3	385311272	NIPPLE, 1-1/2" CLOSE
4	385311233	KIT, SLIP SEAL 1-1/2" REPL
5	385311092	KIT, QUICK CONNECT ELBOW (INC. ITEM 4 & 6)
6	385311111	GROMMET, SEALING 1 1/2"
7	385311110	GROMMET, SEALING 2"
8	313255247	TANK SAVER, 1-1/2" (INC. ITEM 9)
9	385311103	KIT, FLOAT AND RING LOCK
10	385311250	KIT, TW CAP ORING REPL
11	313000355	CAP (INCLUDES ITEM 10)
12	385230268	FLOAT/STEM (THREADED)
13	385311233	KIT, 90° ELBOW FITTING
14	385310660	KIT, DIPTUBE (INC. ITEM 7)
15	385310931	QUICK CONNECT ELBOW
16	307341425	ADAPTER, 1-1/2" HUB X MPT
17	385640335	KIT, S-SUMP INLET TANK TO PUMP
18	385311112	KIT, SEALING GROMMET 3/4"
19	385311091	VENT ELBOW INLET 3/4" (INC. ITEM 18)
20	309310001	REPLACEMENT VENT FILTER
21	385311106	VENT FILTER MTG. BRACKET (INC. SCREWS)
22	385310135	FILTER INSTALLATION
23	317301200	T-PUMP 12VDC
	317302400	T-PUMP 24VDC



Dometic Corporation - Sanitation Systems  
13128 State Rt. 226, P.O. Box 38  
Big Prairie, OH 44611-0038 USA  
Telephone: 330-496-3211  
Fax: 330-496-3097  
Email: sealand@dometicusa.com

# PARTS LIST: 322713512 HTS 35-LPVGQ12/T12/TW4

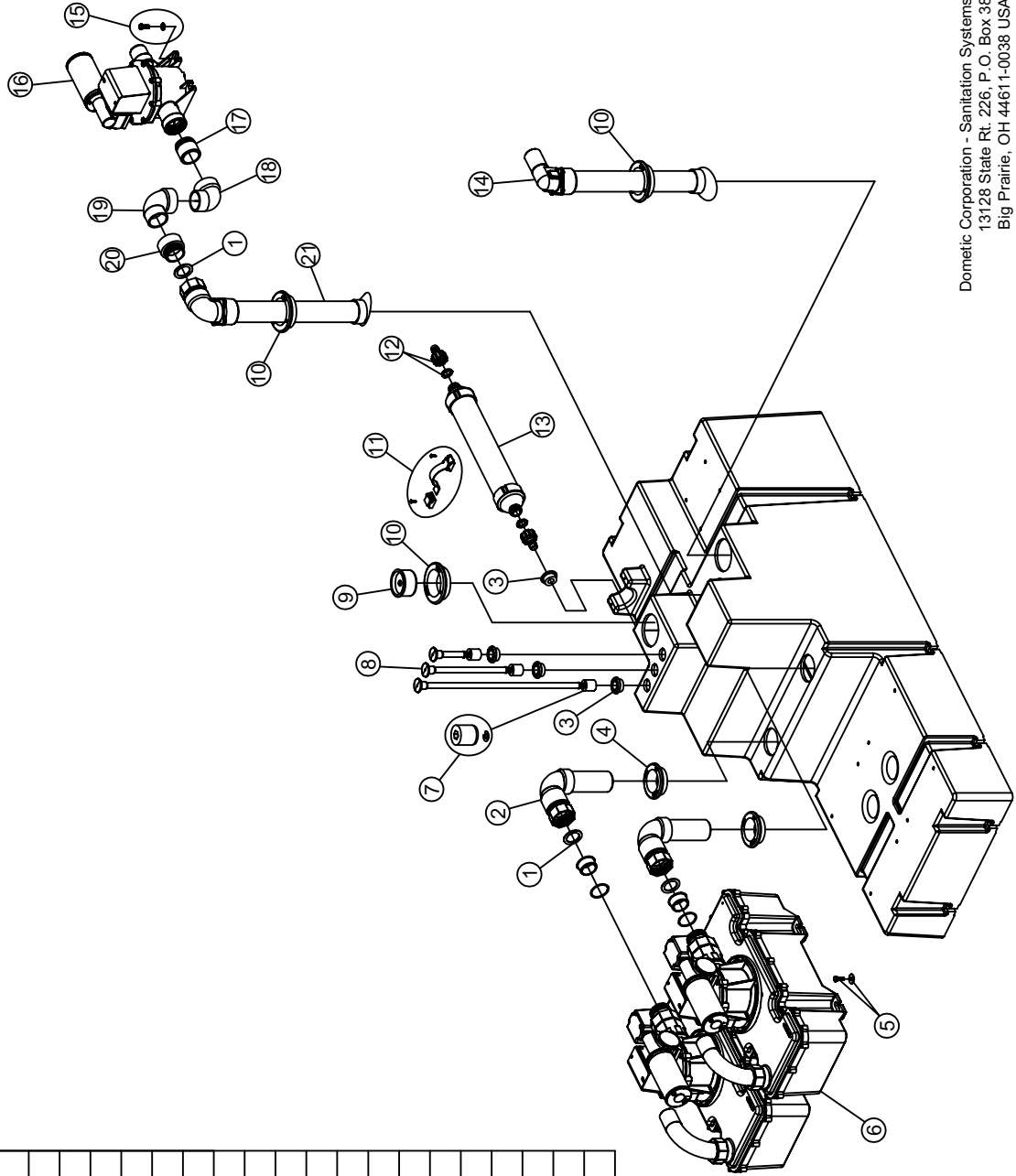
ITEM	PART NO.	DESCRIPTION	ITEM	PART NO.	DESCRIPTION
1	385310135	VENT FILTER FITTINGS	13	385310660	DIPTUBE KIT (inc. item 14)
2	385311111	1-1/2" UNISEAL	14	385311110	2" UNISEAL
3	385311164	1/2" UNISEAL	15	N/A	SEE LOW PROFILE VG PARTS LIST
4	385310914	1-1/2" SWIVEL ELBOW KIT (inc. item 23)	16	385310787	45° ELBOW KIT (inc. item 2)
5	309310001	5/8" HOLDING TANK VENT FILTER (item # 1 not inc.)	17	385310844	TANK INLET ELBOW KIT (inc. item 2)
6	385310673	FILTER MOUNTING KIT	18	313255247	1-1/2" TANKSAVER VALVE (inc. item 14)
7	385311163	KIT, MTG HARDWARE PUMP TO TANK	19	385310841	FULL LEVEL INDICATOR (inc. item 3)
8	385311162	KIT, MTG HARDWARE VG TO HTS	20	385310840	MID LEVEL INDICATOR (inc. item 3)
9	317301200	12VDC OVERBORD DISCHARGE PUMP	21	385310839	EMPTY LEVEL INDICATOR (inc. item 3)
10	385640370	KIT, LH/RH THREAD ADAPTER	22	385311103	KIT, SWITCH FLOAT & LOCK RING
11	385311233	KIT, SLIP SEAL 1-1/2" REPL	23	385311251	KIT, 90° ELBOW FITTING
12	385310931	KIT, QUICK CONNECT ELBOW (inc. item 11)	24	385311070	KIT, THR'D QUICK CON'T ADAPT (inc. item 11)



**Dometic** *Sealand*  
Dometic Corporation - Sanitation Systems  
13128 State Rt. 226, P.O. Box 38  
Big Prairie, OH 44611-0038 USA  
Telephone: 330-496-3211  
Fax: 330-496-3097  
Email: sealand@dometicusa.com

# PARTS LIST: 39 GAL HTS. 322703912 - 322703924

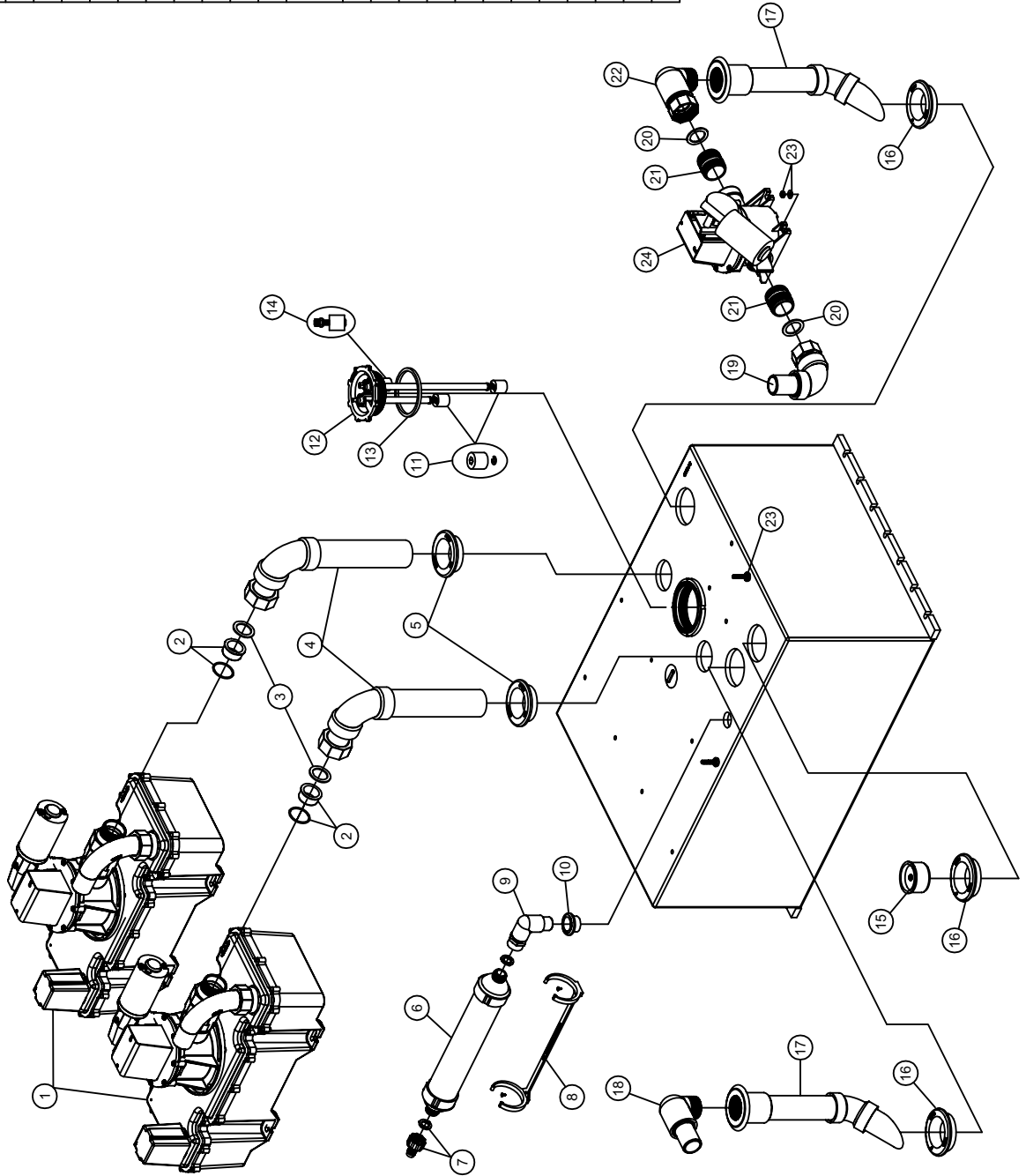
ITEM	PART NO.	DESCRIPTION
1	385311233	KIT. SLIP SEAL 1-1/2" REPL
2	385311460	KIT. INLET ASSY VG4 TO TK (39) (INC 1 & 4)
3	385311164	KIT. SEALING GROMMET 1/2"
4	385311111	KIT. SEALING GROMMET 1-1/2"
5	385311162	KIT. MTG HARDWARE VG TO HTS
6	N/A	SEE VG4 EXPLODED PARTS LIST
7	385311103	KIT. SWITCH FLOAT & LOCK RING
8	385311253	KIT. ADJ INDV LEVEL INDIC 12" (INC 3)
9	313255247	TANK SAVER, 1-1/2" (INC 10)
10	385311110	KIT. SEALING GROMMET 2"
11	385310673	KIT. FILTER MOUNTING-HTS
12	385310135	KIT. FILTER INSTALLATION
13	309310001	HOLDING TANK REPL FILTER
14	385311573	KIT. DIPTUBE 90° ELBOW GLUED (INC 10)
15	385311163	KIT. MTG HARDWARE PUMP TO TANK
16	N/A	SEE PUMP EXPLODED PARTS LIST
17	385640335	KIT. S-SUMP INLET TANK TO PUMP
18	307341161	ELL. STREET 90 DEGREE
19	600342787	ELBOW. STREET 1/4 BEND-1-1/2"
20	307341425	ADAPTER, 1-1/2" HUB X MPT
21	385311575	KIT. TPUMP DIPTUBE EL/SWMV CON



# PARTS LIST: 322714012, 322714024

ITEM	PART NO.	DESCRIPTION
1	N/A	SEE LPV/G EXPLODED PARTS LIST
2	385311237	KIT, SLIP SEAL ADAPTER-VG4
3	385311233	KIT, SLIP SEAL 1-1/2" REPL
4	385311306	KIT, VG4 INLET (322404005) (inc. items 3 & 5)
5	385311111	KIT, SEALING GROMMET 1-1/2"
6	309310001	HOLDING TANK REPL FILTER
7	385310135	KIT, FILTER INSTALLATION
8	385311106	KIT, VENT FILTER BRACKET
9	385311091	KIT, VENT ELBOW INLET 3/4" (inc. item 10)
10	385311112	KIT, SEALING GROMMET 3/4"
11	385311103	KIT, SWITCH FLOAT & LOCK RING
12*	313000350	TWII LEVEL CAP w/VENT (inc. item 13)
	385311149	KIT, TW CAP W/O VENT(D) 4040H (inc. item 13)
13	385311250	KIT, TW CAP ORING REPL
14	385230268	KIT, FLOAT/STEM (THREADED)
15	313255247	TANKSAVER 1-1/2" (inc. item 16)
16	385311110	KIT, SEALING GROMMET 2"
17	385310660	KIT, DIP TUBE-UNIVERSAL (inc. item 16)
18	385311069	KIT, THRD ELBOW WHOSE ADAPT
19	385310535	KIT, OPTIONAL ELBOW-VG II (inc. item 21)
20	385311233	KIT, SLIP SEAL 1-1/2" REPL
21	385640370	KIT, LH/RH THREAD ADAPTER
22	385310931	KIT, QUICK CONNECT ELBOW (inc. item 21)
23	385310939	KIT, COMP MTG INSERT HD TANK
24	385310939	SEE PUMP EXPLODED PARTS LIST.

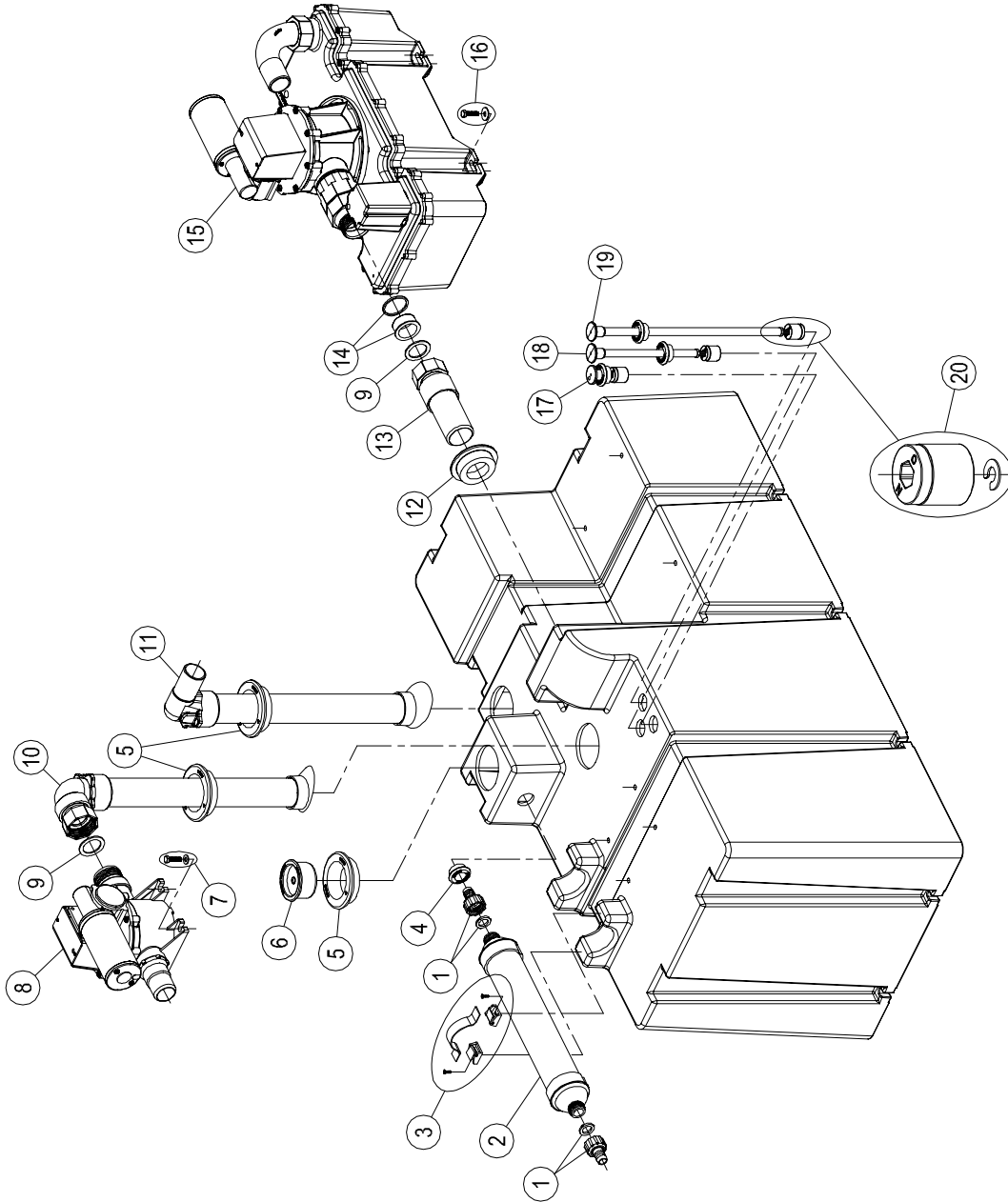
\*Models 322404005 and 322404008 have non vented caps.  
\*Models 322714012 and 322714024 have vented caps.



Dometic Corporation - Sanitation Systems  
13128 State Rt. 226, P.O. Box 38  
Big Prairie, OH 44611-0038 USA  
Telephone: 330-496-3211  
Fax: 330-496-3097  
Email: sealand@dometicus.com

# PARTS LIST: 42 GALLON HTS / 322714212 & 322014224

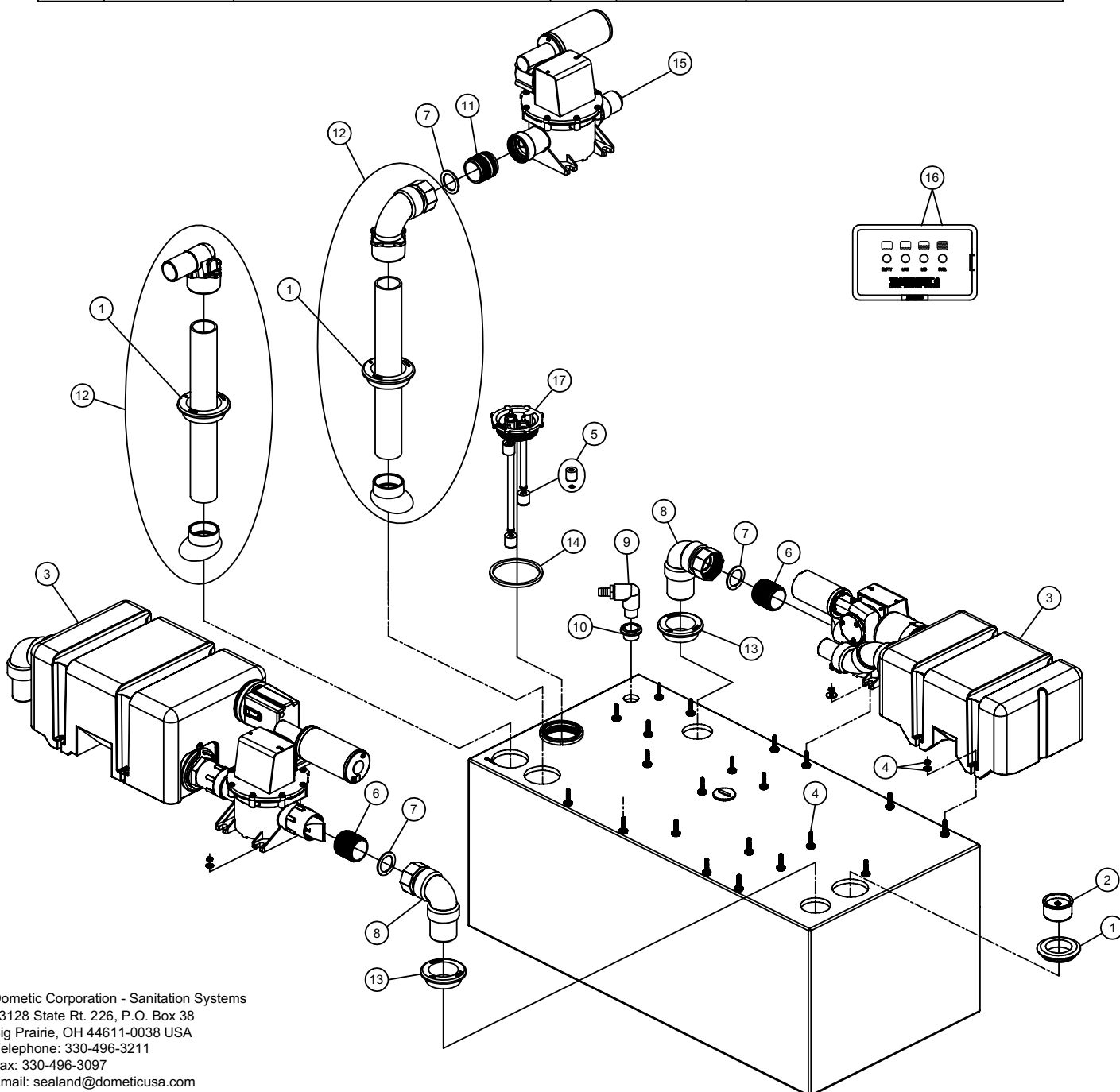
ITEM	PART NUMBER & DESCRIPTION
1	385310135 VENT FILTER FITTINGS
2	309310001 VENT FILTER REPLACEMENT
3	385310673 VENT FILTER MOUNTING KIT
4	385311164 1/2" SEALING GROMMET
5	385311110 2" SEALING GROMMET
6	31325247 TANKSAVER **INCLUDES ITEM 5.
7	385311163 PUMP MTG HARDWARE
8	N/A DISCHARGE PUMP
9	385311233 1-1/2" SLIP SEAL REPLACEMENT
10	385311575 ELBOW DIPTUBE w/SWIVEL NUT **INCLUDES ITEM 5 & 9.
11	385311573 90° ELBOW DIPTUBE ASSEMBLY **INCLUDES ITEM 5.
12	385311111 1-1/2" SEALING GROMMET
13	385311236 VG/TANK INLET FITTING **INCLUDES ITEM 9 & 12.
14	385311237 VG SLIP SEAL ADAPTER KIT
15	N/A VACUUM GENERATOR 4
16	385311162 VG MTG HARDWARE
17	313900101 TANK FULL LEVEL **INCLUDES ITEM 4.
18	385311253 ADJUSTABLE TANK LEVEL 12". **INCLUDES ITEM 4.
19	385311254 ADJUSTABLE TANK LEVEL 24". **INCLUDES ITEM 4.
20	385311103 TANK LEVEL FLOAT & LOCK RING



Dometic Corporation - Sanitation Systems  
13128 State Rt. 226, P.O. Box 38  
Big Prairie, OH 44611-0038 USA  
Telephone: 330-496-3211  
Fax: 330-496-3097  
Email: sealand@dometicusa.com

## PARTS LIST: HD TANK 4055 (322715512 & 322715524)

ITEM	PART NO.	DESCRIPTION	ITEM	PART NO.	DESCRIPTION
1	385311110	SEALING GROMMET 2"	10	385311112	GROMMET, SEALING 3/4"
2	313255247	1 1/2" TANKSAVER (INC. 1)	11	385640370	KIT, LH/RH THREAD ADAPTER
3	--	SEE VGLP EXPLODED PARTS LIST	12	385311596	KIT, DIP'T LRG SWEEP EL/NUT (INC 1)
4	385310939	KIT, COM'P MTG INSERT HD TANK	13	385311111	1-1/2" SEALING GROMMET
5	385311103	KIT, SWITCH FLOAT & LOCK RING	14	385311250	KIT, TW CAP ORING REPL
6	388640366	NIPPLE, CLOSE 1 1/2"	15	N/A	SEE T-PUMP PARTS LIST </td
7	385311233	SLIP JOINT SEAL 1-1/2"	16	360600212	TW4 PANEL W/RELAY-12VDC
8	385311092	SWIVEL ELBOW (INC. 7 & 13)		360600224	TW4 PANEL W/RELAY-24VDC
9	385311073	VENT ELBOW (INC.10)	17	313000355	TW CAP W/O VENT

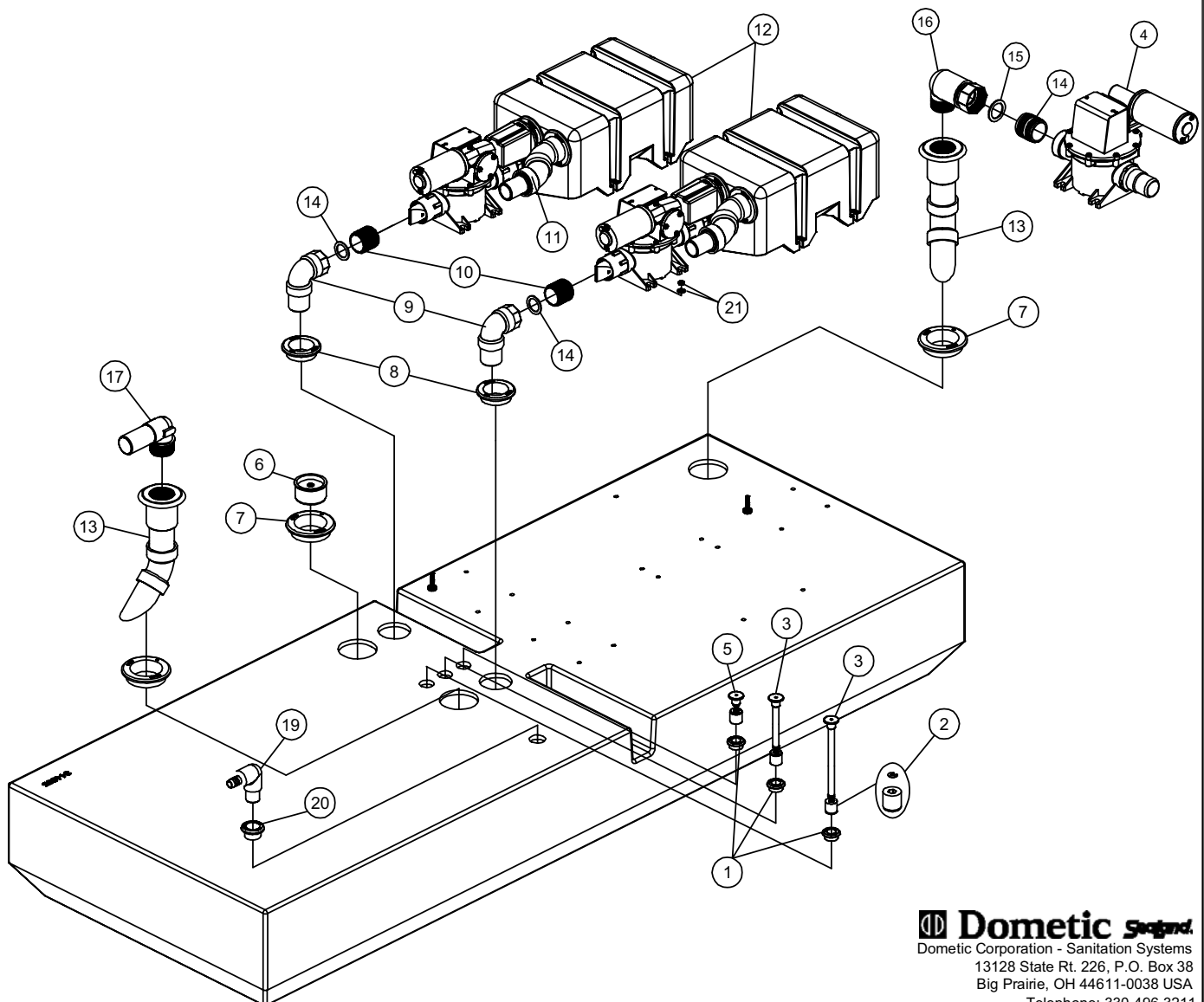


Dometic Corporation - Sanitation Systems  
 13128 State Rt. 226, P.O. Box 38  
 Big Prairie, OH 44611-0038 USA  
 Telephone: 330-496-3211  
 Fax: 330-496-3097  
 Email: sealand@dometicusa.com



## PARTS LIST: HTS 80 LPVG12/T12 OR 24/TW4

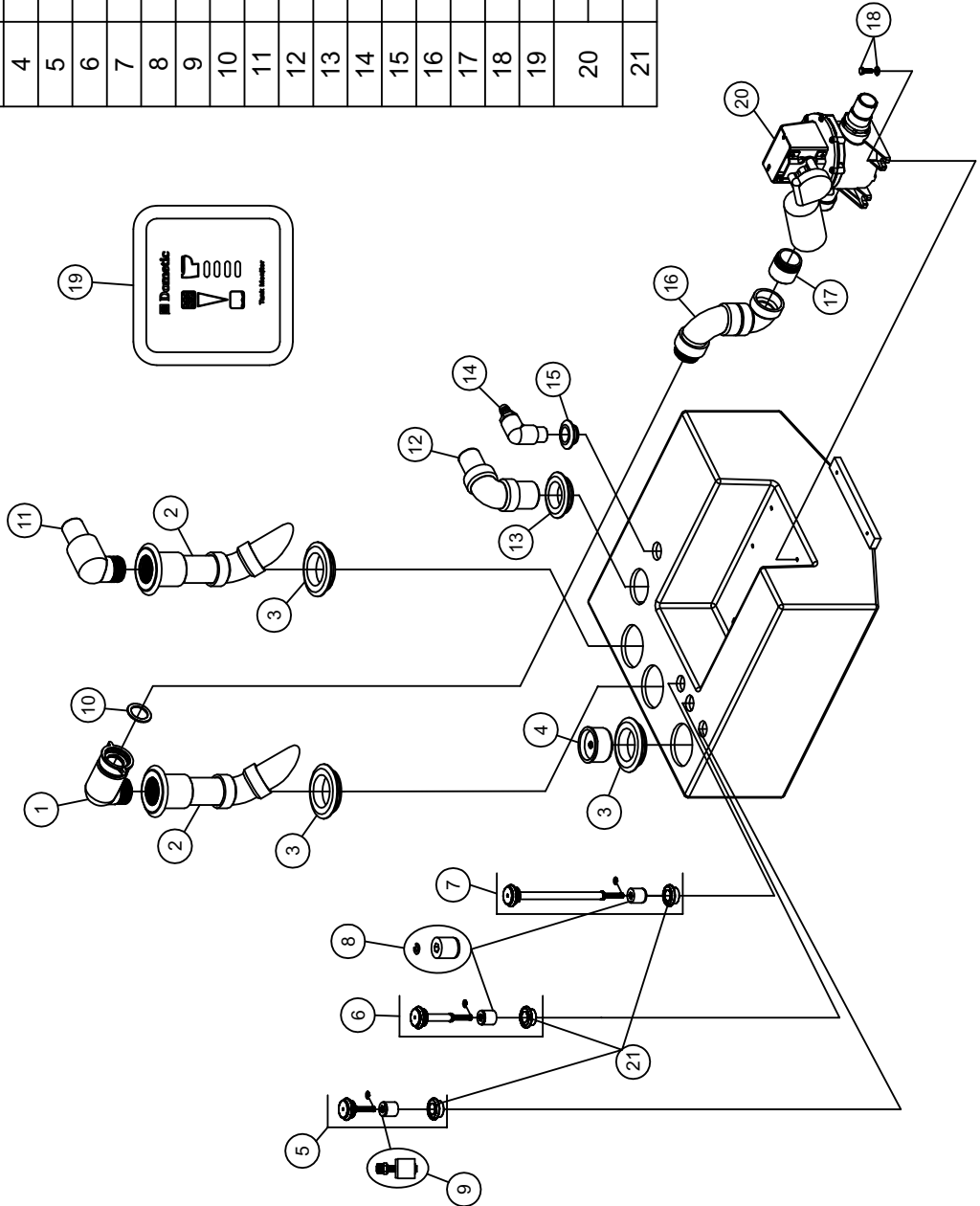
ITEM	PART NO.	DESCRIPTION	ITEM	PART NO.	DESCRIPTION
1	385311164	SEALING GROMMET ½"	11	385310787	KIT, 45 INLET ELBOW/UNISEALS (inc. item 8)
2	385311103	REED SWITCH FLOAT & LOCK RING KIT	12	N/A	SEE VACUUM GENERATOR PARTS LIST
3	385311104	LEVEL INDICATOR - 5- ½" (inc. item 1)	13	385310660	DIPTUBE KIT 24" (inc. item 7)
4	N/A	SEE PUMP PARTS LIST	14	385311233	KIT, SLIP SEAL 1-1/2" REP'L
5	313900101	TANK FULL FLOAT (inc. item 3)	15	385640370	KIT, LH/RH THREAD ADAPTER
6	313255247	1 ½" TANKSAVER (inc. item 7)	16	385310931	KIT, QUICK CONNECT ELBOW (inc. item 14)
7	385311110	SEALING GROMMET 2"	17	385311251	KIT, 90° ELBOW FITTING
8	385311111	1-½" SEALING GROMMET	18	385310939	KIT, COMP MTG INSERT HD TANK
9	385311092	SWIVEL ELBOW KIT (inc. item 8 & 14)	19	385311073	KIT, VENT ELBOW-BARBED
10	385311272	KIT, 1-1/2" CLOSED NIP(MACH'N)	20	385311112	SEALING GROMMET ¾"



**Dometic** *Sealand*  
Dometic Corporation - Sanitation Systems  
13128 State Rt. 226, P.O. Box 38  
Big Prairie, OH 44611-0038 USA  
Telephone: 330-496-3211  
Fax: 330-496-3097  
Email: sealand@dometicusa.com

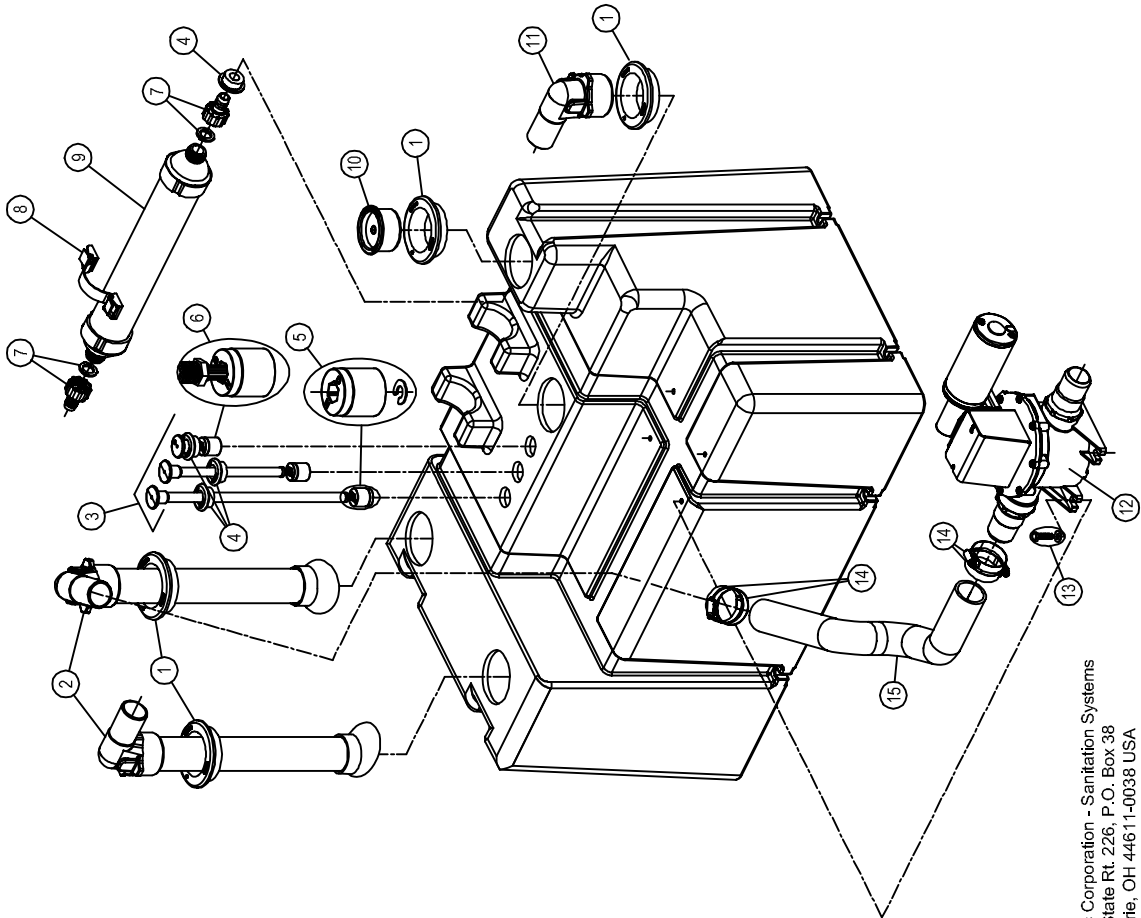
**PARTS LIST: 10 GALLON HULL 322721012-322721024**

ITEM	PART NO.	DESCRIPTION
1	385310931	QUICK CONNECT FITTING (INC 10)
2	385310660	KIT, DIP TUBE-UNIVERSAL (INC 3)
3	385311110	KIT, SEALING GROMMET 2"
4	313255247	TANKSAVER (INC 3)
5	313900101	FULL FLOAT INDICATOR (INC 21)
6	385311031	MID FLOAT INDICATOR (INC 21)
7	385311032	EMPTY FLOAT INDICATOR (INC 21)
8	385311103	SWITCH FLOAT & LOCK RING
9	385230268	THREADED SWITCH FLOAT & LOCK RING
10	385311233	KIT, SLIP SEAL 1-1/2" REPL
11	385311069	KIT, THRD ELBOW W/HOSE ADAPT
12	385310635	KIT, INLET ELBOW-UNISEAL (INC 13)
13	385311111	KIT, SEALING GROMMET 1-1/2"
14	385311073	KIT, VENT ELBOW-BARBED (INC 15)
15	385311112	KIT, SEALING GROMMET 3/4"
16	385311029	PUMP TO DIPTUBE TRANS ELBOW KIT (INC 10)
17	385640335	KIT, PUMP ADAPTER FITTING
18	385311163	KIT, MTG HARDWARE PUMP TO TANK
19	313604402	DTM04 PNL ONLY/12VDC RLY-BLK
20	385310930	12VDC PUMP (REV. TOP)
	385311156	24VDC PUMP (REV. TOP)
21	385311164	KIT, SEALING GROMMET 1/2"



# PARTS LIST: 28 GALLON HTS / 322002812

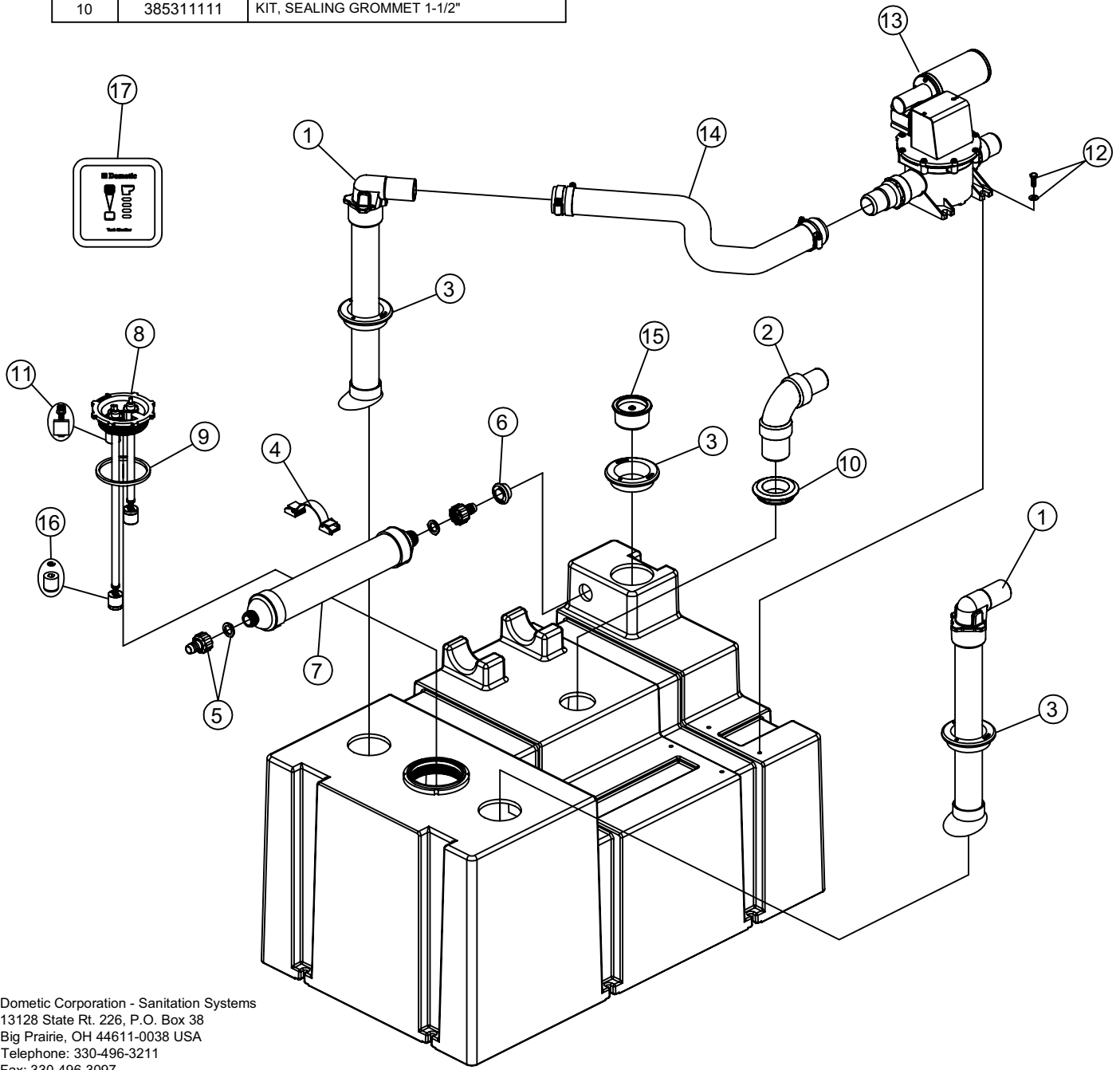
ITEM	PART NUMBER & DESCRIPTION
1	385311110 2" SEALING GROMMET
2	385311573 DIPTUBE ASSEMBLY 90° ELBOW **INCLUDES ITEM 1
3	385311315 TANK LEVELS w/DT CONNECTOR **INCLUDES ITEM 4
4	385311164 1/2" SEALING GROMMET
5	385311103 TANK LEVEL FLOAT & LOCK RING
6	385230268 THREADED STEM/FLOAT REPLACEMENT
7	385310135 VENT FILTER FITTINGS
8	385310673 VENT FILTER MOUNTING KIT
9	309310001 VENT FILTER
10	313255247 TANKSAVER **INCLUDES ITEM 1
11	385311608 1-1/2" INLET ELBOW FITTING **INCLUDES ITEM 1
12	N/A DISCHARGE PUMP **SEE DISCHARGE PUMP LIST.
13	385311163 PUMP MOUNTING HARDWARE
14	385311898 1-1/2" HOSE CLAMP **INCLUDES 2 CLAMPS PER KIT
15	385311089 1-1/2" HOSE REPLACEMENT (24")



Dometic Corporation - Sanitation Systems  
13128 State Rt. 226, P.O. Box 38  
Big Prairie, OH 44611-0038 USA  
Telephone: 330-496-3211  
Fax: 330-496-3097  
Email: sealand@dometicusa.com

**PARTS LIST: 322014012      HTS 40-DTM04/12VDC**  
**322014024      HTS 40-DTM04/24VDC**

ITEM	PART NO.	DESCRIPTION	ITEM	PART NO.	DESCRIPTION
1	385311573	KIT, DIPTUBE 90° ELBOW GLUED (INC 3)	11	385230268	KIT, FLOAT/STEM (THREADED)
2	385310635	KIT, INLET ELBOW-UNISEAL (INC. 10)	12	385311163	KIT, MTG HARDWARE PUMP TO TANK
3	385311110	KIT, SEALING GROMMET 2"	13	N/A	SEE PUMP EXPLODED PARTS LIST
4	385310673	KIT, FILTER MOUNTING-HTS	14	385311089	KIT, HD TK 1-1/2" HOSE REP'L
5	385310135	KIT, FILTER INSTALLATION	15	313255247	TANK SAVER, 1-1/2" (INC. ITEM 3)
6	385311164	KIT, SEALING GROMMET 1/2"	16	385311103	KIT, SWITCH FLOAT & LOCK RING
7	309310001	HOLDING TANK REP'L FILTER	17	313604401	DTM04 PNL ONLY - BLACK
8	385310646	KIT, TW III CAP W/O VENT-40HTS (INC. 9)			
9	385311250	KIT, TW CAP ORING REP'L			
10	385311111	KIT, SEALING GROMMET 1-1/2"			

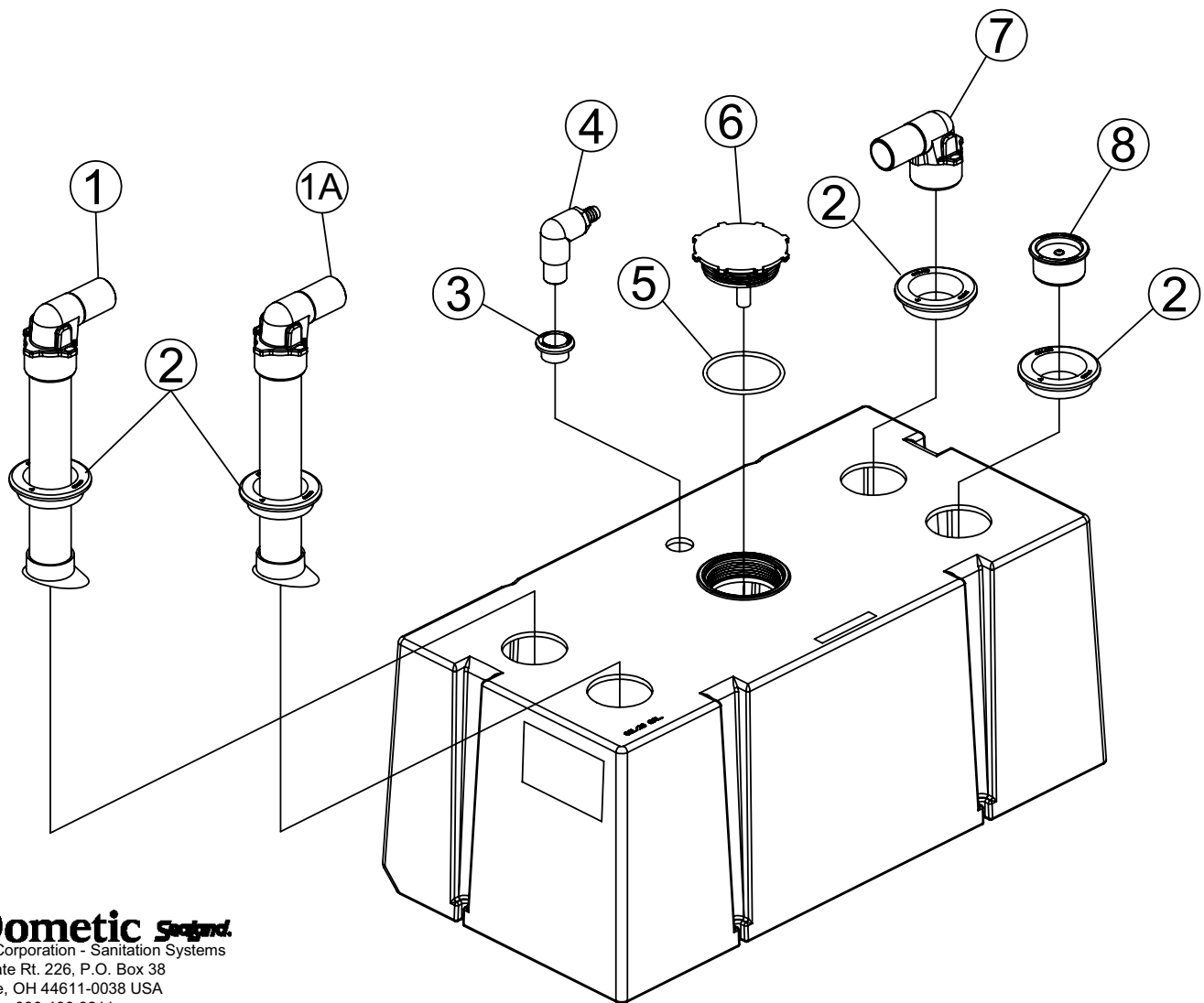


Dometic Corporation - Sanitation Systems  
13128 State Rt. 226, P.O. Box 38  
Big Prairie, OH 44611-0038 USA  
Telephone: 330-496-3211  
Fax: 330-496-3097  
Email: sealand@dometicusa.com

# PARTS LIST:

P/N: 600346052  
REV.: 11/08

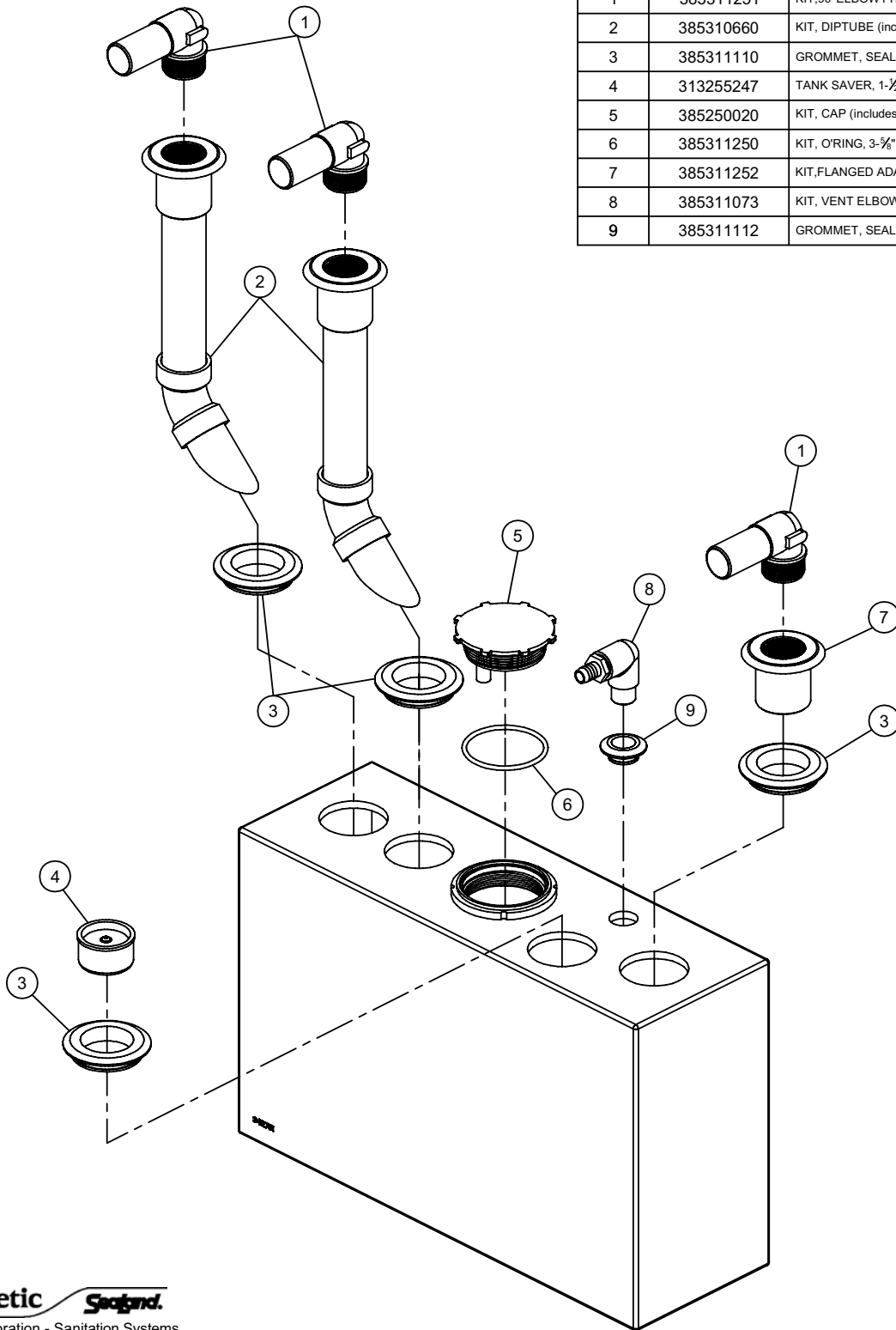
322601101	HD TANK-EU 42L/11G W/CAP		
322601601	HD TANK-EU 61L/16G W/CAP		
322602301	HD TANK-EU 88L/23G W/CAP		
322602901	HD TANK-EU 110L/29G W/CAP		
322603601	HD TANK-EU 137L/36G W/CAP		
LITER	ITEM	PART NO.	DESCRIPTION
42 - 61 - 110	1	385311606	KIT, DIPTUBE/ELBOW/SEAL 9-5/8 (INC.2)
88L - 137L	1A	385311607	KIT, DIPTUBE/ELBOW/SEAL11-3/16 (INC.2)
ALL MODELS	2	385311110	KIT, SEALING GROMMET 2"
ALL MODELS	3	385311112	KIT, SEALING GROMMET 3/4"
ALL MODELS	4	385311073	KIT, VENT ELBOW-BARBED (INC. 3)
ALL MODELS	5	385311250	KIT, TW CAP ORING REPL
ALL MODELS	6	385250020	KIT, 4010 TANK CAP/O'RING (INC. 5)
ALL MODELS	7	385311608	KIT, INLET ELBOW (1PC)(INC.2)
ALL MODELS	8	313255247	TANKSAVER 1-1/2" (INC. 2)



**Dometic** *Sealand*  
Dometic Corporation - Sanitation Systems  
13128 State Rt. 226, P.O. Box 38  
Big Prairie, OH 44611-0038 USA  
Telephone: 330-496-3211  
Fax: 330-496-3097  
Email: [sealand@dometicus.com](mailto:sealand@dometicus.com)

# PARTS LIST: MODEL 322840122 HTS BASIC

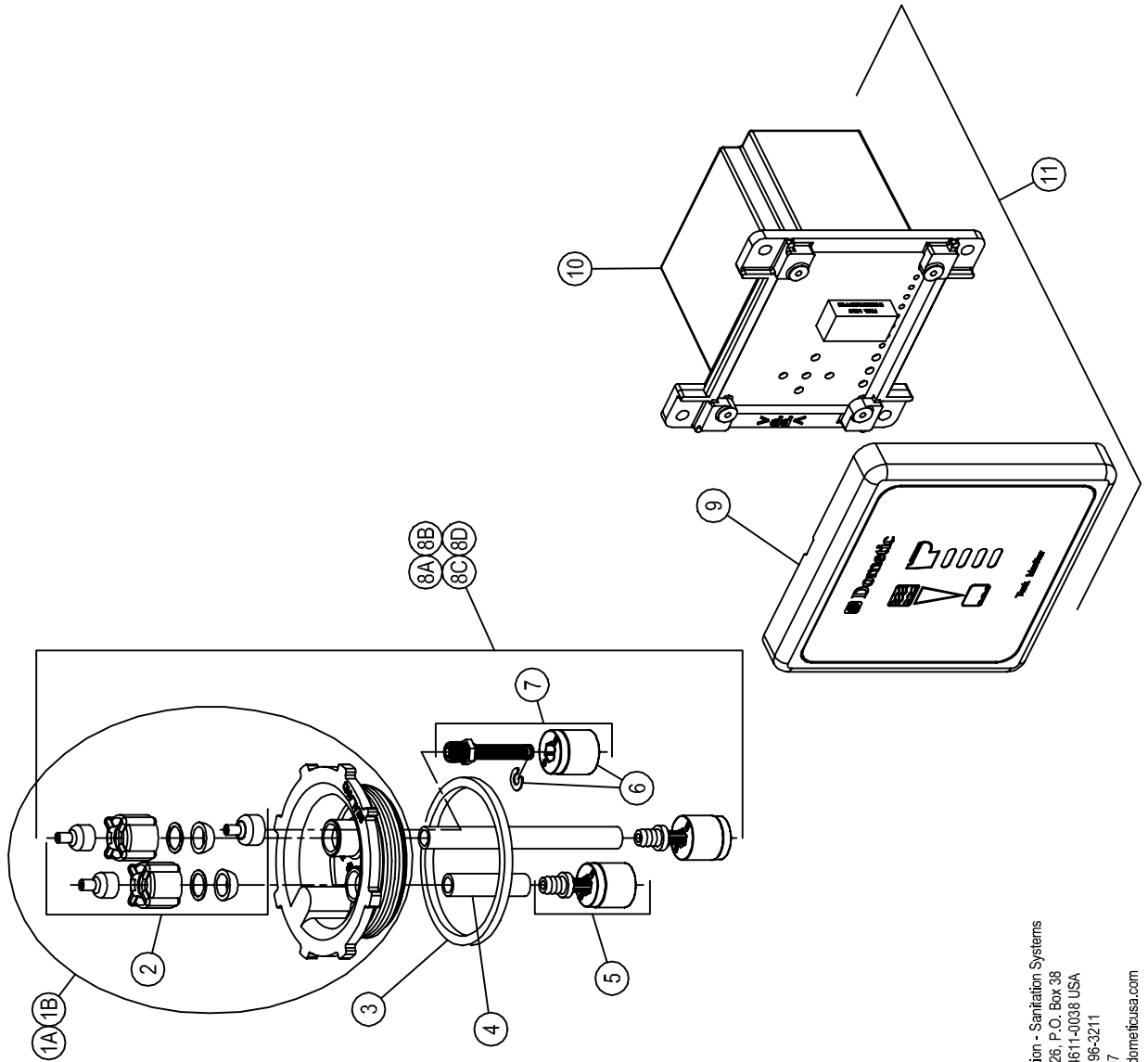
ITEM	PART NO.	DESCRIPTION
1	385311251	KIT,90°ELBOW FITTING
2	385310660	KIT, DIPTUBE (includes item 3)
3	385311110	GROMMET, SEALING 2"
4	313255247	TANK SAVER, 1-1/2" (includes item 3)
5	385250020	KIT, CAP (includes item 6)
6	385311250	KIT, O'RING, 3-3/8" OD X 3/8"
7	385311252	KIT, FLANGED ADAPTER FITTING
8	385311073	KIT, VENT ELBOW BARBED
9	385311112	GROMMET, SEALING 3/4"



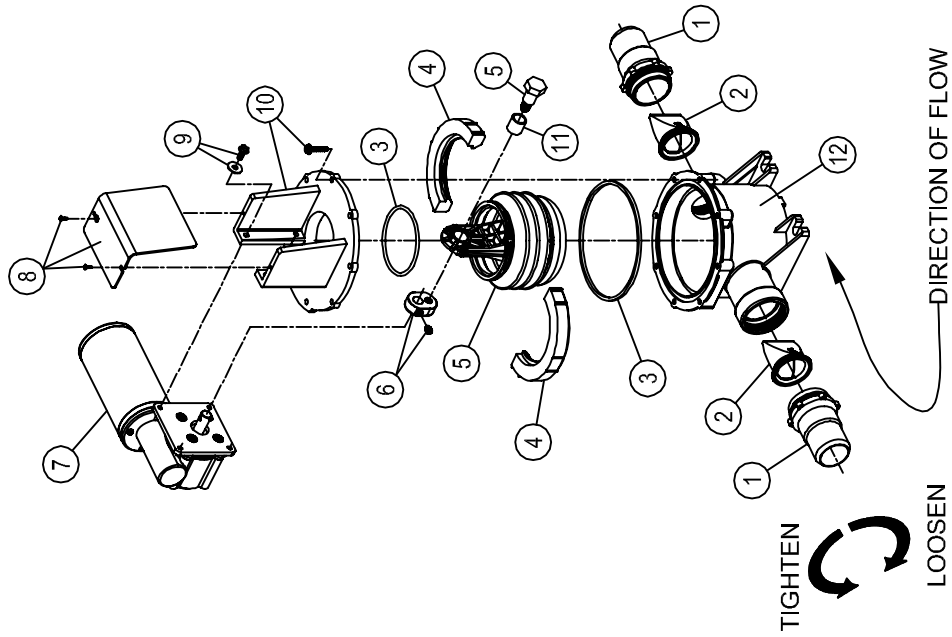
Dometic Corporation - Sanitation Systems  
13128 State Rt. 226, P.O. Box 38  
Big Prairie, OH 44611-0038 USA  
Telephone: 330-496-3211  
Fax: 330-496-3097  
Email: sealand@dometicus.com

# PARTS LIST: DTM04; DMT08; DTM12 MODELS

ITEM	PART NUMBER & DESCRIPTION
1A	385311765 TW CAP ASSEMBLY w/VENT
1B	385311766 TW CAP ASSEMBLY w/o VENT
2	385310258 COMPRESSION NUT KIT
3	385311250 TW CAP O'RING REPLACEMENT
4	385230930 22" FLEX PROBE KIT
5	385310758 BARBED STEM/FLOAT REPLACEMENT
6	385311103 TANK LEVEL FLOAT & LOCK RING
7	385230268 THREADED STEM/FLOAT REPLACEMENT
8A	313000350 TW CAP COMPLETE w/VENT
8B	313000355 TW CAP COMPLETE w/o VENT
8C	313000345 TW CAP COMPLETE w/VENT 45" PROBES
8D	313000346 TW CAP COMPLETE w/o VENT 45" PROBES
9	385311477 PANEL COVER DTM04 - BLACK
	385311478 PANEL COVER DTM04 - WHITE
	385311479 PANEL COVER DTM08 - BLACK
	385311480 PANEL COVER DTM08 - WHITE
	385311481 PANEL COVER DTM12 - BLACK
10	385311482 PANEL COVER DTM12 - WHITE
	385311483 CIRCUIT BOARD PANEL - DTM04
	385311484 CIRCUIT BOARD PANEL - DTM08
11	385311485 CIRCUIT BOARD PANEL - DTM12
	313604401 DTM04 PANEL ONLY - BLACK
	313604411 DTM04 PANEL ONLY - WHITE
	313608401 DTM08 PANEL ONLY - BLACK
	313608411 DTM08 PANEL ONLY - WHITE
	313612401 DTM12 PANEL ONLY - BLACK
	313612411 DTM12 PANEL ONLY - WHITE
NOT SHOWN	385311579 12VDC SHUTDOWN RELAY KIT (DTM04 ONLY)
	385311580 24VDC SHUTDOWN RELAY KIT (DTM04 ONLY)



# PARTS LIST: TW-DISCHARGE PUMP

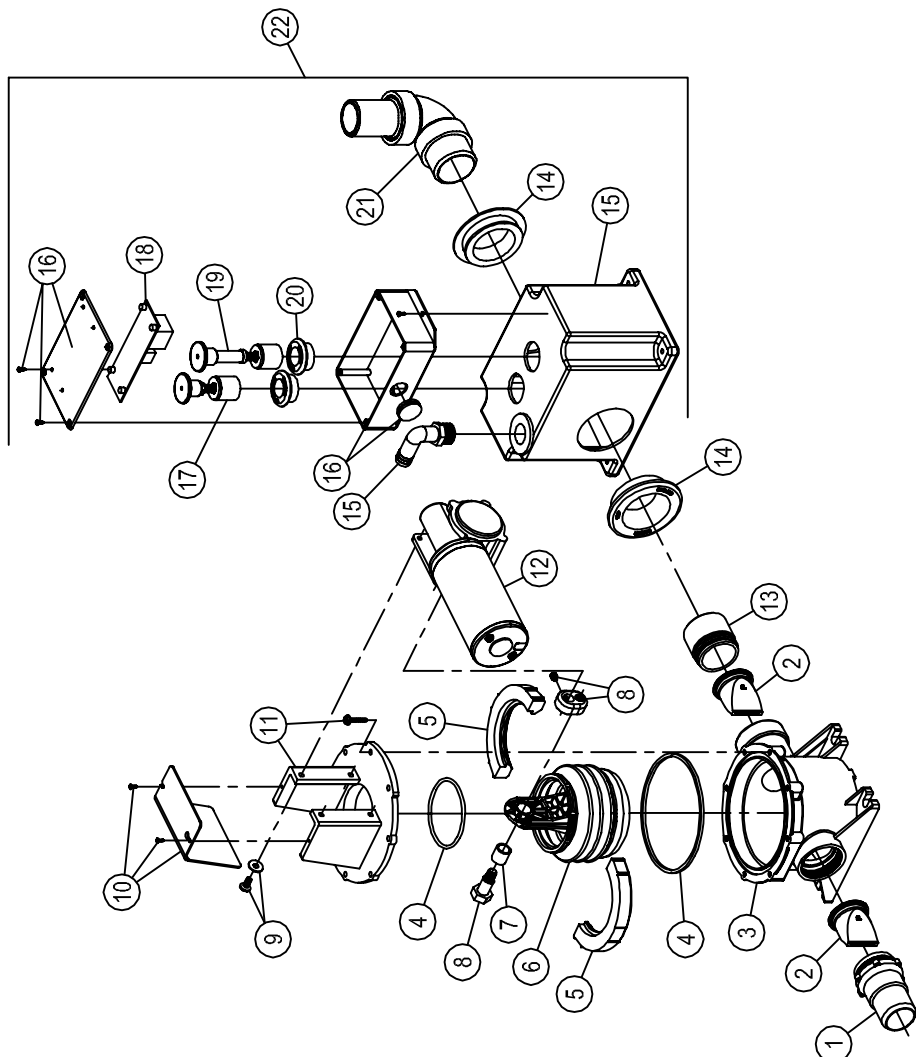


ITEM	PART NUMBER & DESCRIPTION
1	385311843 VALVE NIPPLE
2	385310076 1-1/2" DUCKBILL VALVE
3	385310151 O-RING REPLACEMENT KIT
4	385311226 BELLOWS CLAMP KIT
5	385230980 BELLOWS ASSEMBLY **INCLUDES ITEM 11.
6	385310644 ECCENTRIC KIT
7	385311065 12VDC MOTOR 385311066 24VDC MOTOR **INCLUDES ITEM 5.
8	385311422 PUMP COVER KIT
9	385311224 MOTOR MOUNTING HARDWARE
10	385311225 PUMP TOP CLOSURE KIT
11	385310242 BELLOWS BUSHING
12	385311858 PUMP BODY
N/S	385310250 PUMP ASSEMBLY LESS MOTOR **INCLUDES ITEMS 1-6; 8; 10-12



# PARTS LIST: SANISUMP

ITEM	PART NUMBER & DESCRIPTION
1	385311843 VALVE NIPPLE
2	385310076 1-1/2" DUCKBILL VALVE
3	385311858 PUMP BODY
4	385310151 O-RING REPLACEMENT KIT
5	385311226 BELLOWS CLAMP KIT
6	385230980 BELLOWS ASSEMBLY **INCLUDES ITEM 7.
7	385310242 BELLOWS BUSHING
8	385310644 ECCENTRIC KIT
9	385311224 MOTOR MOUNTING HARDWARE
10	385311422 PUMP COVER KIT
11	385311225 PUMP TOP CLOSURE KIT
12	385310756 12VDC MOTOR
13	385340757 24VDC MOTOR
14	385640335 PUMP INLET FITTING
15	385311111 1-1/2" SEALING GROMMET
16	385310583 SANISUMP TANK MACHINED
17	385310650 SANISUMP ELECTRICAL ENCLOSURE
18	TANK FULL LEVEL **INCLUDES ITEM 20.
19	385310659 CIRCUITBOARD ASSEMBLY 12VDC
20	385310721 CIRCUITBOARD ASSEMBLY 24VDC
21	EMPTY TANK LEVEL **INCLUDES ITEM 20.
22	385311164 1/2" SEALING GROMMET
23	385311101 INLET ELBOW KIT **INCLUDES ITEM 14.
24	385310584 SANISUMP ASSY LESS PUMP 12VDC
25	385310649 SANISUMP ASSY LESS PUMP 24VDC



Dometic Corporation - Sanitation Systems  
13128 State Rt. 226, P.O. Box 38  
Big Prairie, OH 44611-0038 USA  
Telephone: 330-496-3211  
Fax: 330-496-3097  
Email: sealand@dometicusa.com




---



---



---



---



---



---



---



---



---



---



---



---



---



---



---



---



---



---



---

Notes



**Sealand**<sup>®</sup>  
by Dometic GROUP

Dometic Corporation, Sanitation Division

L-2934

Print Date October 18, 2012