

8600 Series Macerator Toilets

Bringing style, quality and versatility together.



Model 8679
MasterFlush Toilet

Rarely does one marine toilet fit a wide array of floor plans with equal ease. With the choice of heights, colors, flush controls and discharge plumbing, the SeaLand 8600 series of MasterFlush® toilets from Dometic now allows boatbuilders to install a fixture of unparalleled performance in virtually any bath.

The contemporary shape features a flat back to accommodate installation against interior walls. 8600 series toilets come in low-profile and standard-height units. Discriminating owners may choose from additional options: toilet or toilet/bidet combination units (available late 2010); white or bone colors.

SeaLand 8600 series macerator toilets offer two flush settings to help manage water use. The "Normal" flush setting consumes 0.85 gal. (3.2 liters) of water and adds a small amount of water to the bowl after every flush, and "Dry Bowl" flushing uses only 0.45 gal. (1.7 liters) per flush and does not add water to the bowl.

The ceramic styling of the SeaLand 8600 series matches that of 4600 series VacuFlush® toilets. This advantage provides boat designers the added ability to offer choices in toilet technology across boat model lines without altering the decor or floor plans of the baths.



Toilet/bidet models combine electronic-flush operation with manually controlled, variable temperature bidet wash. Features gentle, aerated water flow.

Key Benefits

- Powerful macerator flush
- Flat back-style ceramic fixture – fits nicely against interior walls
- Standard and low-profile heights
- Ultra-quiet – integral water trap reduces macerator sound (tall models only)
- Toilet only or toilet/bidet combination models
- Through-the-floor and through-the-wall discharge fittings
- "Soft close" seat action
- "Normal" or "Dry Bowl" flush options
- Standard Dometic electronic touchpad or popular Vimar and Gewiss switch options
- 12 V DC or 24 V DC operation

SeaLand[®]
by Dometic GROUP

Specifications for 8600 Series MasterFlush® Toilets

MODEL	DESCRIPTION	VOLTAGE
8639	Low-profile macerator toilet	12 V DC
8649	Low-profile height macerator toilet/bidet combination	12 V DC
8679	Standard-height macerator toilet	12 V DC
8689	Standard-height macerator toilet/bidet combination	12 V DC

Toilet-only fixtures available in white or bone colors. Toilet/bidet models available in white.
24 V DC models available. See price list for model numbers.
Specifications subject to change without notice.

Minimum System Requirements

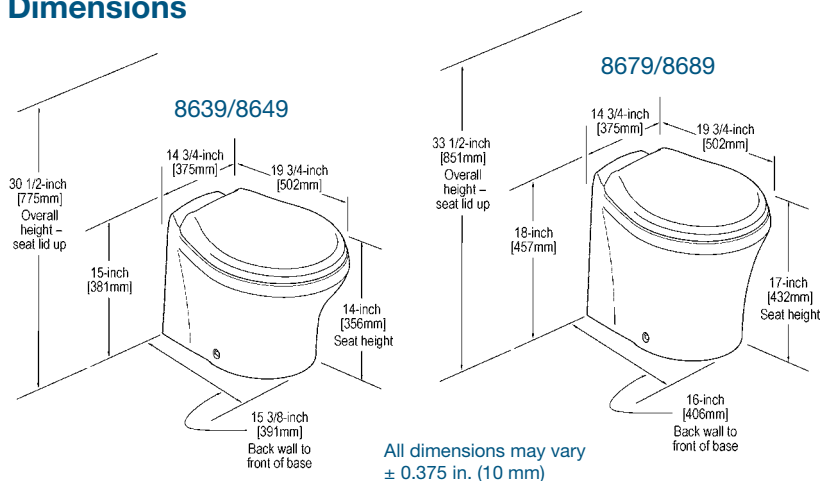
ELECTRICAL	Circuit breaker	20 amps/12 V DC; 15 amps/24 V DC
	Wiring	12 ga. (up to 20 ft./6.1 m from breaker)
WATER SUPPLY	Fitting	0.5 in. NPT
	Flow rate	2.0 gpm/7.6 lpm min. at toilet
DISCHARGE	ID	1.5 in./38 mm or 1 in./25 mm minimum
	Horizontal run*	98 ft./30 m maximum
	Vertical run*	9.8 ft./3 m maximum
	Tank capacity	30 gal./114 liters recommended
REQUIRED COMPONENTS	Electric flush switch**	Dometic, Vimar or Gewiss

* Horizontal and vertical run distances are not cumulative. Check for adequate discharge flow if installation nears one of these limits.

** Purchased separately.

Specifications subject to change without notice.

Dimensions



Dometic Flush Touchpad



Standard Dometic panel includes “add water” and “flush” functions, “power on” and “full tank” indicator lights. Also available in white.

Dometic Flush Switches (for Vimar, Gewiss trim)



Dometic flush switch panels feature backlit push buttons for easy use, even in low light. The DFS model includes a generic frame, or can be fitted with a Vimar Idea, Vimar Eikon, or Gewiss Chorus frame. The DFP model accommodates a Gewiss Playbus frame.

Flush Settings

Change from “Normal” to “Dry Bowl” flush option by pressing “flush” switch for about five seconds. When “power on” light begins flashing, release “flush” switch. Flush setting has been changed. Change back to “Normal” setting in the same manner.