

8700 Series Macerator Toilets

Premium elegance and comfort.



8700 series
MasterFlush toilet with
electronic flush handle



8700 series
MasterFlush toilet with
electronic touchpad

For the look, feel and user-friendly performance of an upscale residential toilet, SeaLand 8700 series macerator toilets, powered with MasterFlush® technology, deliver it all.

Discriminating boat owners will appreciate the full-scale residential styling, complete with elongated wood seat and lustrous, sparkling ceramic finish. The robust effluent macerator operates 30 percent more efficiently than previous Dometic macerator models.

SeaLand 8700 series MasterFlush toilets provide an abundance of features to satisfy diverse owner preferences and boatbuilder requirements. 8700 series toilets come in standard-height units with above-floor or below-floor discharge options. Electronic flushing can be activated by either a residential-style handle or wall-mounted switch. Additional options include a choice of white or bone colors.

8700 series macerator toilets offer two flush settings to help manage water use. The “Normal” flush setting consumes 0.85 gal. (3.2 liters) of water and adds a small amount of water to the bowl after every flush, and “Dry Bowl” flushing uses only 0.45 gal. (1.7 liters) per flush and does not add water to the bowl.

Key Benefits

- Powerful macerator flush
- Standard height models with full-size residential-style bowl and seat
- Ultra-quiet – integral water trap reduces macerator sound
- Through-the-floor and through-the-wall discharge fittings
- “Normal” or “Dry Bowl” flush options
- Electronic flush handle, standard electronic touchpad, or popular Vimar and Gewiss switch options
- 12 V DC or 24 V DC operation

Specifications for 8700 Series MasterFlush® Toilets

MODEL	DESCRIPTION	FLUSH CONTROL OPTIONS*	VOLTAGE
8759	Standard-height, flat-back, all-ceramic macerator toilet	Wall mounted switch (not included) or flush handle on toilet	12 V DC

* Order choice of flush switch separately. Available in white or bone colors. 24 V DC models available. See price list for model numbers. Specifications subject to change without notice.

Minimum System Requirements

ELECTRICAL	Circuit breaker	20 amps/12 V DC; 15 amps/24 V DC
	Wiring	12 ga. (up to 20 ft./6.1 m from breaker)
WATER SUPPLY	Fitting	0.5 in. NPT
	Flow rate	4 gpm/ 15.1 lpm min. at toilet
	Max. flow pressure	40 PSI/276 kPa
DISCHARGE	ID	1.5 in./38 mm or 1 in./25 mm minimum
	Horizontal run*	98 ft./ 30 m maximum
	Vertical run*	9.8 ft /3 m maximum
	Tank capacity	30 gal./114 liters recommended
REQUIRED COMPONENTS	Electric flush switch**	Dometic, Vimar or Gewiss

* Horizontal and vertical run distances are not cumulative. Check for adequate discharge flow if installation nears one of these limits.

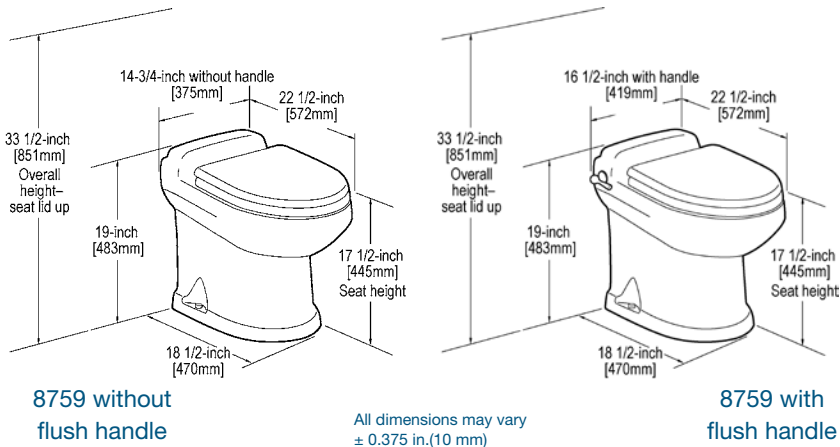
** Purchased separately.

Specifications subject to change without notice.

Flush Settings

Change from “Normal” to “Dry Bowl” flush option by pressing “flush” switch for about five seconds. When “power on” light begins flashing, release “flush” switch. Flush setting has been changed. Change back to “Normal” setting in the same manner.

Dimensions



Dometic Flush Touchpad



Standard Dometic panel includes “add water” and “flush” functions, “power on” and “full tank” indicator lights. Also available in white.

Dometic Flush Switches (for Vimar, Gewiss trim)



Dometic flush switch panels feature backlit push buttons for easy use, even in low light. The DFS model includes a generic frame, or can be fitted with a Vimar Idea, Vimar Eikon, or Gewiss Chorus frame. The DFP model accommodates a Gewiss Playbus frame.

Flush Settings

Change from “Normal” to “Dry Bowl” flush option by pressing “flush” switch for about five seconds. When “power on” light begins flashing, release “flush” switch. Flush setting has been changed. Change back to “Normal” setting in the same manner.