

500 and 700 Series VacuFlush® Toilets

Powerful performance, premium efficiency



Model 506+
VacuFlush Toilet

Model 509+
VacuFlush Toilet

500 Plus Series VacuFlush Toilets

Thousands of boatowners worldwide enjoy the easy operation, robust flush, and worry-free advantages of SeaLand 500 Plus series VacuFlush toilets. Elongated seat and deep bowl provide the most home-like comfort available in pedal-flush toilets. Miserly water consumption extends freshwater resources as well as holding tank use between pump-outs. An integral vacuum breaker protects the water supply, and the anti-splash rim keeps water in the bowl while underway. With a wide selection of color, height and discharge options, it's easy to specify a 500 Plus VacuFlush toilet to fit most any boat.

Key Benefits

- Elongated, solid seat for comfort and support
- As little as 1 pint (0.5 l) per flush
- Foot-pedal operation adds water, flushes toilet
- Standard-height and low-profile models
- Below-floor and multiple above-floor discharge options
- Available in white, bone, platinum, ebony colors

706 VacuFlush Toilet

With the ultra-compact model 706, a VacuFlush toilet can be fitted to smaller boats, and deliver the same powerful flush as larger VacuFlush toilet models.

Key Benefits

- Compact size fits small compartments
- As little as 1 pint (0.5 l) per flush
- Solid seat for home-like comfort
- Foot-pedal operation adds water, flushes toilet
- Integral vacuum breaker protects water supply
- Below-floor discharge; rotates 360°
- Available in white, bone colors



Model 706
VacuFlush Toilet

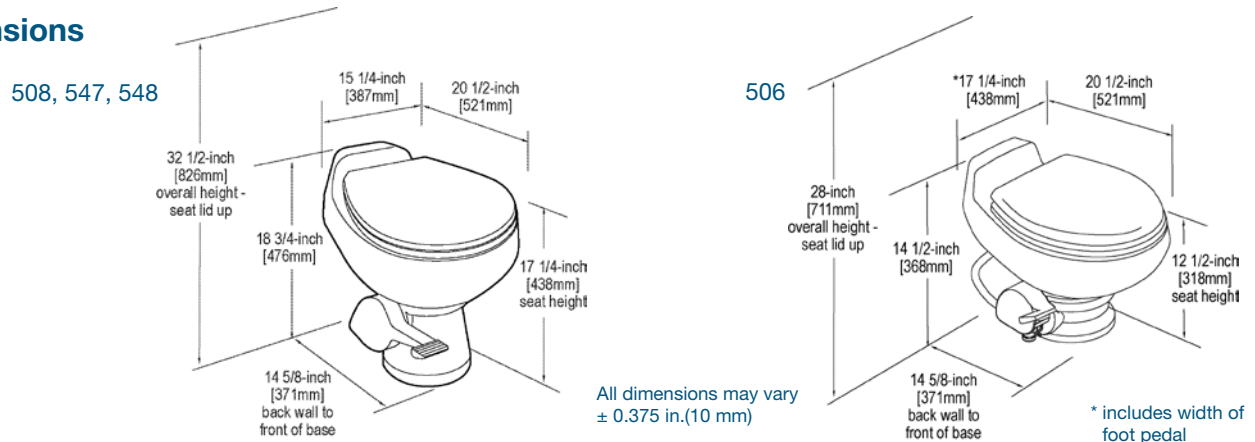
500 Plus Series Technical Specifications

MODEL	DESCRIPTION	DISCHARGE	WEIGHT**
506	Low-profile pedal-flush VacuFlush toilet	through the floor*	40 lbs./18.1 kg
508	Standard-height pedal-flush VacuFlush toilet	through the floor*	41 lbs./18.6 kg
547	Standard-height pedal-flush VacuFlush toilet	above the floor, right	41 lbs./18.6 kg
548	Standard-height pedal-flush VacuFlush toilet	above the floor, rear	41 lbs./18.6 kg

All models are available in white, bone, platinum and ebony color.
 * Hose or pipe discharge connection. All others use hose only.
 Specifications subject to change without notice.

** Weights may vary \pm 2-3 percent.

Dimensions

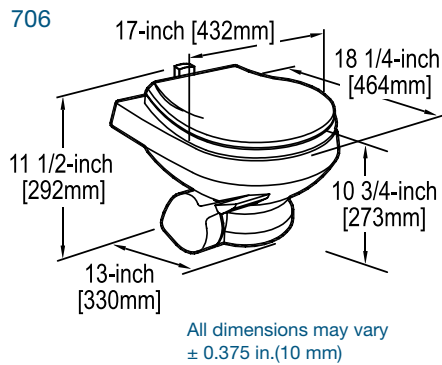


Model 706 Technical Specifications

MODEL	DESCRIPTION	DISCHARGE	WEIGHT*
706	Low-profile pedal-flush VacuFlush toilet	through the floor	27 lbs./12.2 kg

Available in white or bone color.
 * Weight may vary \pm 2-3 percent.
 Specifications subject to change without notice.

Dimensions



500 Plus Series and Model 706 VacuFlush System Requirements

ELECTRICAL	Vacuum pump* draw	6 amps/12 V DC; 3 amps/24 V DC
	Vacuum pump* circuit breaker/fuse	10 amps/12 V DC; 5 amps/24 V DC
WATER SUPPLY	ID	0.5 in. NPT fitting
	Flow rate	2.0 gpm/7.6 lpm at toilet, minimum
DISCHARGE	ID	1.5 in./38 mm ID plumbing
	Horizontal run**	50 ft./15 m maximum to vacuum source
	Vertical run**	6 ft./1.8 m maximum to vacuum source
REQUIRED COMPONENT	Vacuum source †	VacuFlush vacuum generator, vacuum holding tank, or holding tank system

* Required for J and S series VacuFlush vacuum generators.

** Based on J and S series VacuFlush vacuum generator specifications. Where applicable, see VHT series vacuum holding tank manual for other installation specifications.

† Purchased separately.

Specifications subject to change without notice.